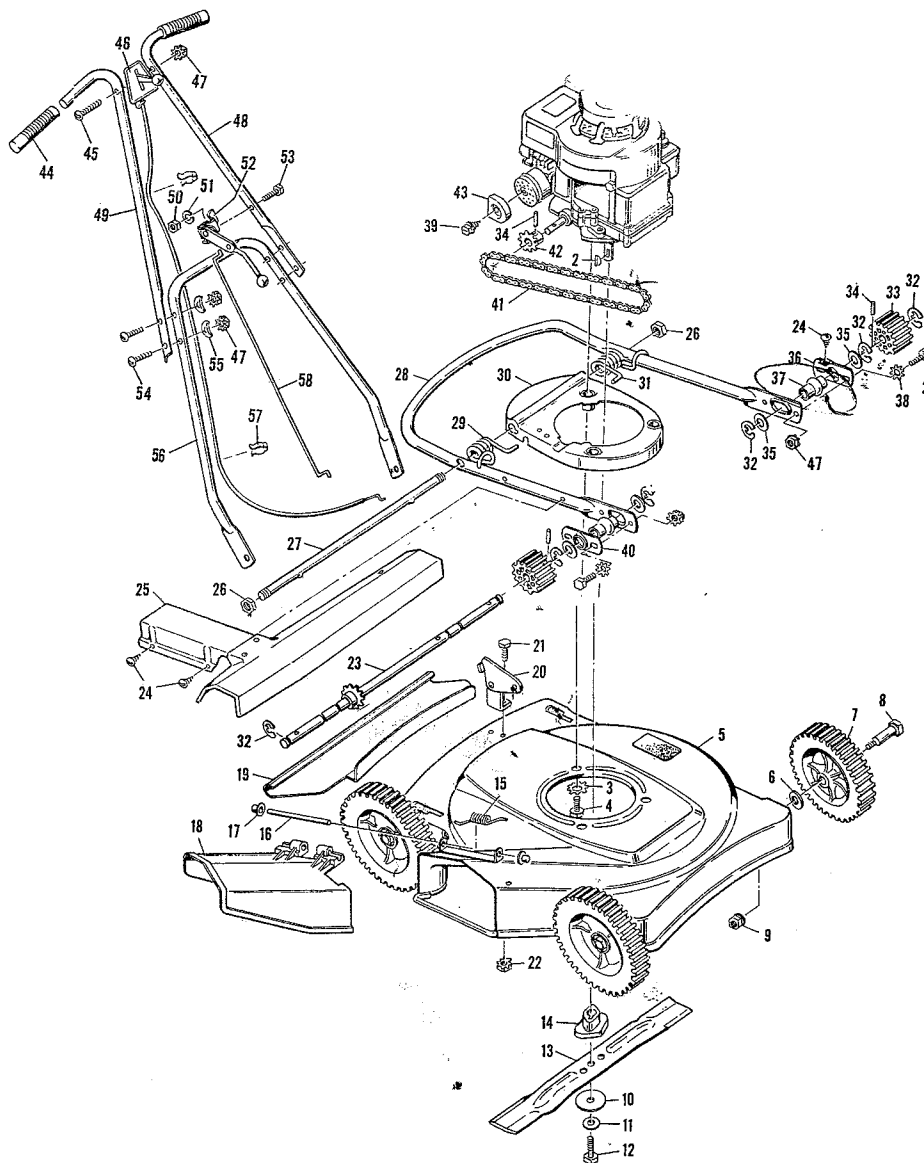


4-2251 22" Equipped
Rotary Mower



Item No.	Model 4-2251 Part No.	Description
1	-----	Engine
2	20062	Woodruff Key
3	19x8	Shakeproof Washer
4	20102	Engine Bolt
5	22072	Housing Assy.
6	10851 Z	Washer
7	20105	Wheel & Tire Assy.
8	20086	Axle Bolt
9	15x68	Flanged Locknut
10	20094 Z	Washer
11	17x101	Cup Washer
12	1x69	Blade Adapter Bolt
13	20046	Blade
14	20051	Blade Adapter
15	22052	Torsion Spring
16	22050 Z	Pivot Pin
17	28x42	Push-On-Cap
18	20455	Chute Deflector
19	20452	Rear Guard Panel
20	20442 Z	Brkt. & Pivot Arm Assy.

Item No.	Model 4-2251 Part No.	Description
21	1x38	Hex Nut
22	15x67	Hex Nut
23	22151 Z	Drive Shaft & Spkt. Assy.
24	26x159	Self-Tapping Screw
25	400153	Pinion & Chain Guard Assy.
26	15x64	Hex Nut
27	20085Z	Pivot Shaft
28	20012C	Drive Arm
29	20067Z	Torsion Spring R-H
30	20054E	Base & Spacer Assy.
31	20068 Z	Torsion Spring L-H
32	20100	Retainer Ring
33	20066	Drive Pinion
34	32x64	Spring Pin
35	17x100Z	Washer
36	20375Z	Bearing Retainer
37	20048	Bearing
38	19x4	Shakeproof Washer
39	20460	Exhaust Deflector Screw
40	20049 Z	Bearing Retainer

Item No.	Model 4-2251 Part No.	Description
41	20108	Chain & Link
42	20411	Engine Sprocket
43	20459	Exhaust Deflector
44	20187	Grip
45	3x142	Bolt
46	22057	Control & Cable Assy.
47	15x12	Keys Nut
48	20393C	Upper Handle L-H
49	20060C	Upper Handle R-H
50	15x12	Hex Nut
51	18x16	Lock Washer
52	20444	Drive Control Assy.
53	6x61	Hex Bolt
54	3x136	Bolt
55	20087	Formed Washer
56	20392C	Lower Handle Assy.
57	20089	Cable Clip
58	20388 Z	Actuating Rod