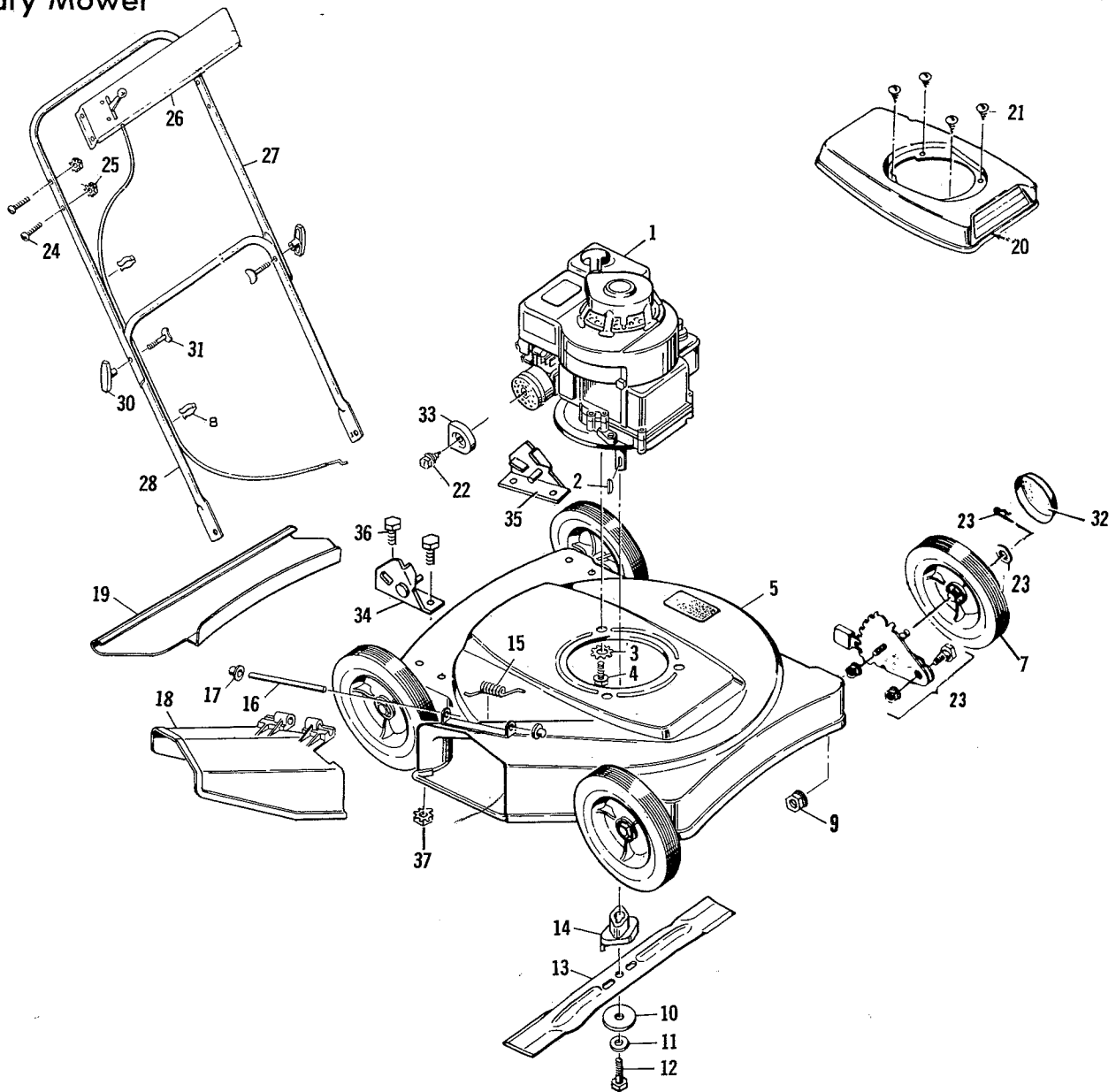


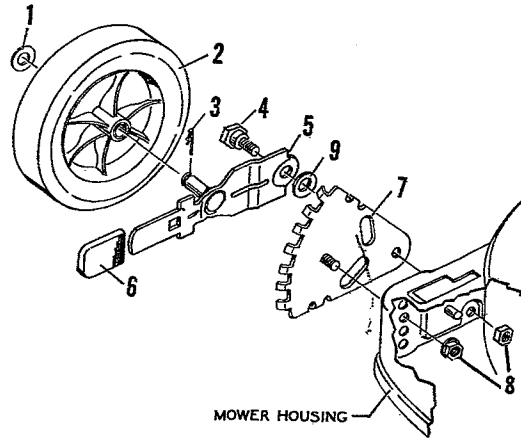
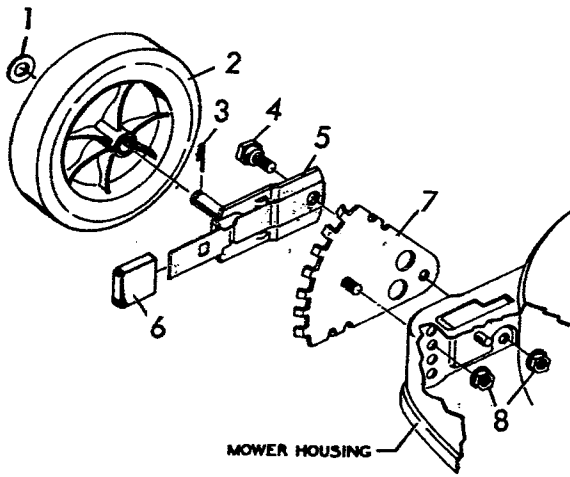
4-2202 22" Equipped  
Rotary Mower



Item No.	Model 4-2202 Part No.	Description
1	-----	Engine*
2	20062	Woodruff Key
3	19x8	Shakeproof Washer
4	20103	Engine Bolt
5	22071	Housing Assy.
7	20104	Wheel & Tire
9	15x68	Stover Locknut
10	20094 Z	Washer
11	17x101	Cup Washer
12	1x68	Blade Adapter Bolt
13	20046	Blade
14	20050	Blade Adapter
15	22052	Torsion Spring
16	22050 Z	Pivot Pin
17	28x42	Push-On-Cap
18	20455	Shute Deflector
19	20452	Rear Guard Panel
20	20455	Engine Shroud

Item No.	Model 4-2202 Part No.	Description
21	26x159	Screw
22	20460	Exhaust Deflector Screw
23	400148	Wheel Adjuster Assy.
24	3x97	Bolt
25	15x66	Keys Nut
26	400177	Control Assy.
27	20436C	Upper Handle Assy.
28	20438C	Lower Handle Assy.
29	20089	Cable Clip
30	20266	Handle Knob
31	20129	Contour Bolt
32	20107	Hub Cap
33	20459	Exhaust Deflector
34	20198 Z	Handle Housing Brkt. RH
35	20199 Z	Handle Housing Brkt. LH
36	1x38	Hex Bolt
37	15x82	Hex Nut

**Wheel Adjuster Assembly  
Model 400152 And 400148**



Item No.	Assembly 400152 Part No.	Model 400148 Part No.	Description
1	17x102	17x102	Washer
*2	-----	-----	Wheel & Tire
3	20101	20101	Hair Pin Cotter
4	20064	22193	Shoulder Bolt

\* Not Included In Assembly. >

Item No.	Assembly 400152 Part No.	Model 400148 Part No.	Description
5	20109Z	22191	Arm & Axle Assembly
6	20065	22196	Lever Spring Knob
7	20113Z	20113Z	Index Plate Assembly
8	15x68	15x68	Flange Locknut
9	-----	22192	Spring Washer

For Push And Self-Propelled Mowers