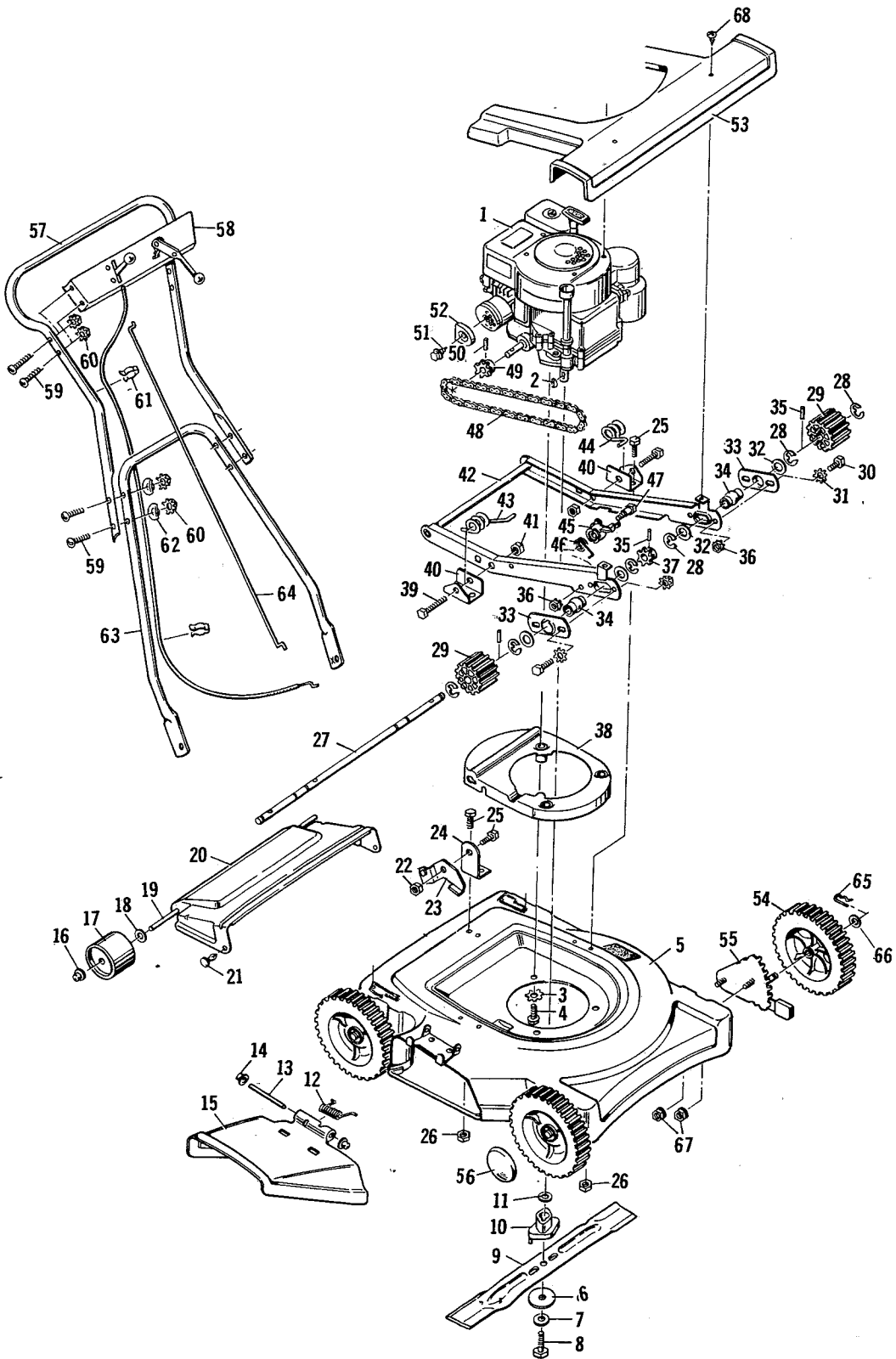


3-2262 22" Equipped
Rotary Mower



Item No.	Model 3-2262 Part No.	Description	List Price Each	Item No.	Model 3-2262 Part No.	Description	List Price Each
1	-----	Engine	----	35	32x64	Spring Pin	.20
2	20062	Woodruff Key	.30	36	15x66	Keps Nut	.25
3	19x8	Shakeproof Washer	.20	37	20080	Drive Shaft Sprocket	1.47
4	20102	Engine Bolt	.56	38	20054E	Base & Spacer Assy.	2.83
5	22315	Housing	18.80	39	1x87	Hex Bolt	.20
6	20094Z	Washer	.25	40	22278Z	Bracket	.20
7	17x101	Cup Washer	.41	41	15x12	Hex Nut	.20
8	1x69	Blade Bolt	.24	42	22272E	Drive Arms & Tube Assy.	4.52
9	20046	Blade	4.13	43	22322Z	Torsion Spring R. H.	.81
10	20051	Blade Adapter	2.56	44	22323Z	Torsion Spring L. H.	.81
11	17x51Z	Washer	.20	45	22398	Chain Guard	.35
12	22052	Torsion Spring	.20	46	22399	Spring	.20
13	22326Z	Pivot Pin	.20	47	20478	Shoulder Bolt	.21
14	28x42	Push-On-Cap	.20	48	22279	Chain & Link	1.13
15	22325	Chute Deflector	1.20	49	20411	Sprocket	.76
16	28x23	Push-On-Cap	.20	50	32x64	Spring Pin	.20
17	22324	Wheel	.51	51	20460	Screw	.20
18	17x52Z	Washer	.20	52	20459	Exhaust Deflector	.20
19	22274Z	Axle	.45	53	22328E	Pinion Guard	2.27
20	22291	Rear Guard	2.25	54	20105	Wheel & Tire	3.08
21	22053	Tri-Mount	.20	55	400152	Wheel Adjuster Assy.	2.63
22	15x43	Hex Nut	.23	56	20107	Hub Cap	.25
23	22276Z	Pivot Arm	.24	57	20248C	Upper Handle Assembly	3.83
24	22277Z	Bracket	.20	58	400231	Control Panel & Cable Assy.	3.52
25	1x45	Bolt	.20	59	3x136	Bolt	.20
26	15x79	Hex Nut	.20	60	15x66	Keps Nut	.25
27	22320	Drive Shaft	3.51	61	20089	Cable Clips	.26
28	20100	Retainer Ring	.20	62	20087	Formed Washer	.20
29	20066	Drive Pinion	1.25	63	20058C	Lower Handle Assy.	3.42
30	1x38	Bolt	.20	64	22394Z	Control Rod	.39
31	19x4	Shakeproof Washer	.20	65	20101	Cotter Pin	.20
32	17x100Z	Washer	.20	66	17x102Z	Washer	.20
33	20049Z	Bearing Retainer	.30	67	15x68	Nut	.20
34	20048	Bearing	1.05	68	26x118	Screw	.20