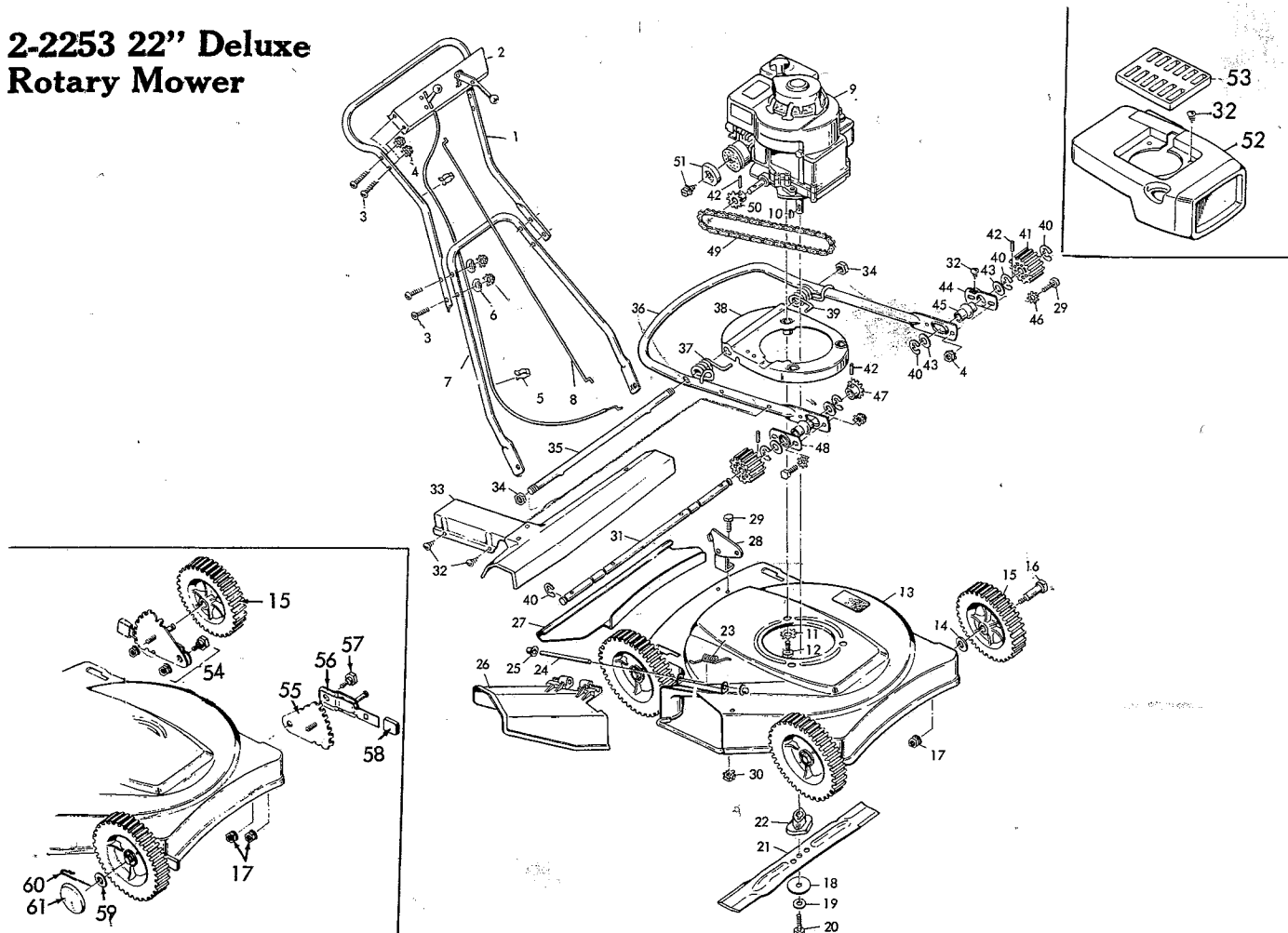


2-2253 22" Deluxe Rotary Mower



ITEM NO.	MODEL 2-2253 PART NO.	DESCRIPTION	LIST PRICE EACH	ITEM NO.	MODEL 2-2253 PART NO.	DESCRIPTION	LIST PRICE EACH	ITEM NO.	MODEL 2-2253 PART NO.	DESCRIPTION	LIST PRICE EACH
1	20246C	Upper Handle Assy.	4.31	23	22052	Torsion Spring	.20	45	20048	Bearing	1.05
2	400169	Control Panel & Cable Assy.	4.32	24	22050Z	Pivot Pin	.20	46	19x4	Shakeproof Washer	.20
3	3x136	Bolt	.20	25	28x42	Push-On-Cap	.20	47	20080	Drive Shaft Sprocket	1.47
4	15x66	Lock Nut	.25	26	20455	Chute Deflector	1.20	48	20049Z	Bearing Retainer	.30
5	20089	Cable Clips	.26	27	20452	Rear Guard Panel	1.33	49	20108	Chain & Link	1.95
6	20087	Formed Washers	.20	28	20442Z	Brkt. & Pivot Arm Assy.	.59	50	20411	Engine Sprocket	.76
7	20191C	Lower Handle Assy.	3.84	29	1x38	Bolt	.20	51	- - -	Exhaust Deflector*	- - -
8	20420Z	Control Rod	.40	30	15x67	Hex Nut	.20	52	20446	Engine Shroud	2.34
9	Engine	See Note*	- - -	31	20127	Drive Shaft	3.51	53	20449E	Grill	.81
10	20062	Woodruff Key	.30	32	26x159	Screw	.20	54	400152	Wheel Adjuster Assy.	2.63
11	19x8	Shakeproof Washer	.20	33	400153	Pinion & Chain Guard Assy.	3.52	55	20113Z	Index Plate Assy.	1.26
12	20102	Engine Bolt	.56	34	15x64	Hex Nut	.21	56	20109Z	Arm, Axle & Spring Assy.	1.62
13	22072	Housing Assy.	14.63	35	20085Z	Pivot Shaft	1.16	57	20064	Shoulder Bolt	.35
14	10851Z	Washer	.20	36	20012E	Drive Arm	2.95	58	20065	Lever Spring Knob	.32
15	20105SC	Wheel & Tire	3.38	37	20067Z	Torsion Spring R.H.	2.28	59	17x102Z	Washer	.20
16	20086	Axle Bolt	.28	38	20054E	Base & Spacer Assy.	2.83	60	20101	Cotter Pin	.20
17	15x68	Flange Lock Nut	.20	39	20068Z	Torsion Spring L.H.	2.28	61	20090	Hub Cap	.62
18	20094Z	Washer	.25	40	20100	Retainer Ring	.20				
19	17x101	Cup Washer	.41	41	20066	Drive Pinion	1.25				
20	1x69	Blade Adapter Bolt	.32	42	32x64	Spring Pin	.20				
21	20046	Blade	4.13	43	17x100Z	Washer	.20				
22	20051	Blade Adapter	2.56	44	20375Z	Bearing Retainer	.20				

*NOTE: Your Engine Model, Type & Code Number is stamped on the Blower Housing. All parts pertaining to this engine are available from the Briggs and Stratton Parts and Service Station listed in the yellow pages of the classified Telephone directory.

IMPORTANT: To insure proper replacement parts always specify Model Number shown on mower model nameplate with Part Number and Part Name of item desired.