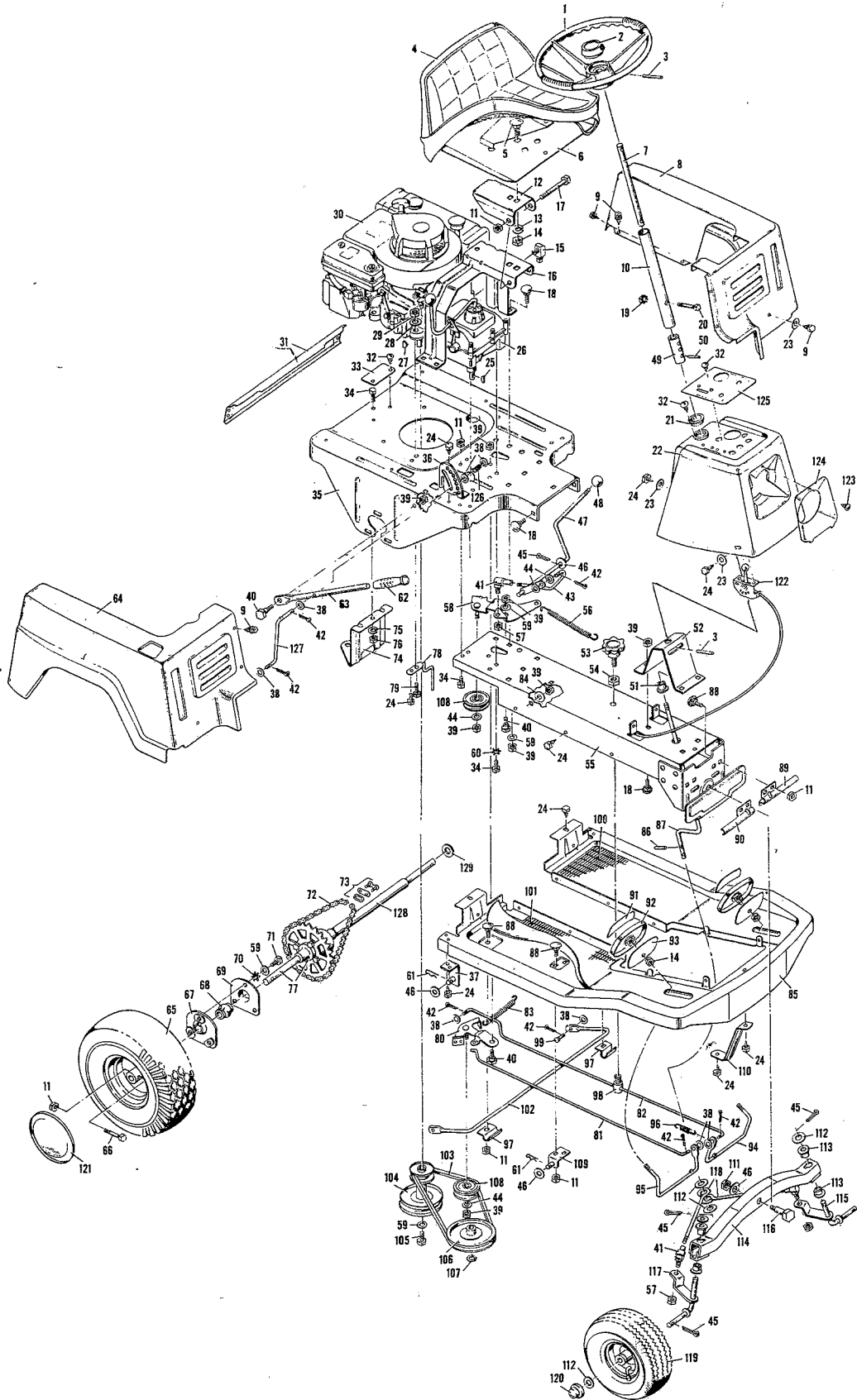


Riding Mower 36"

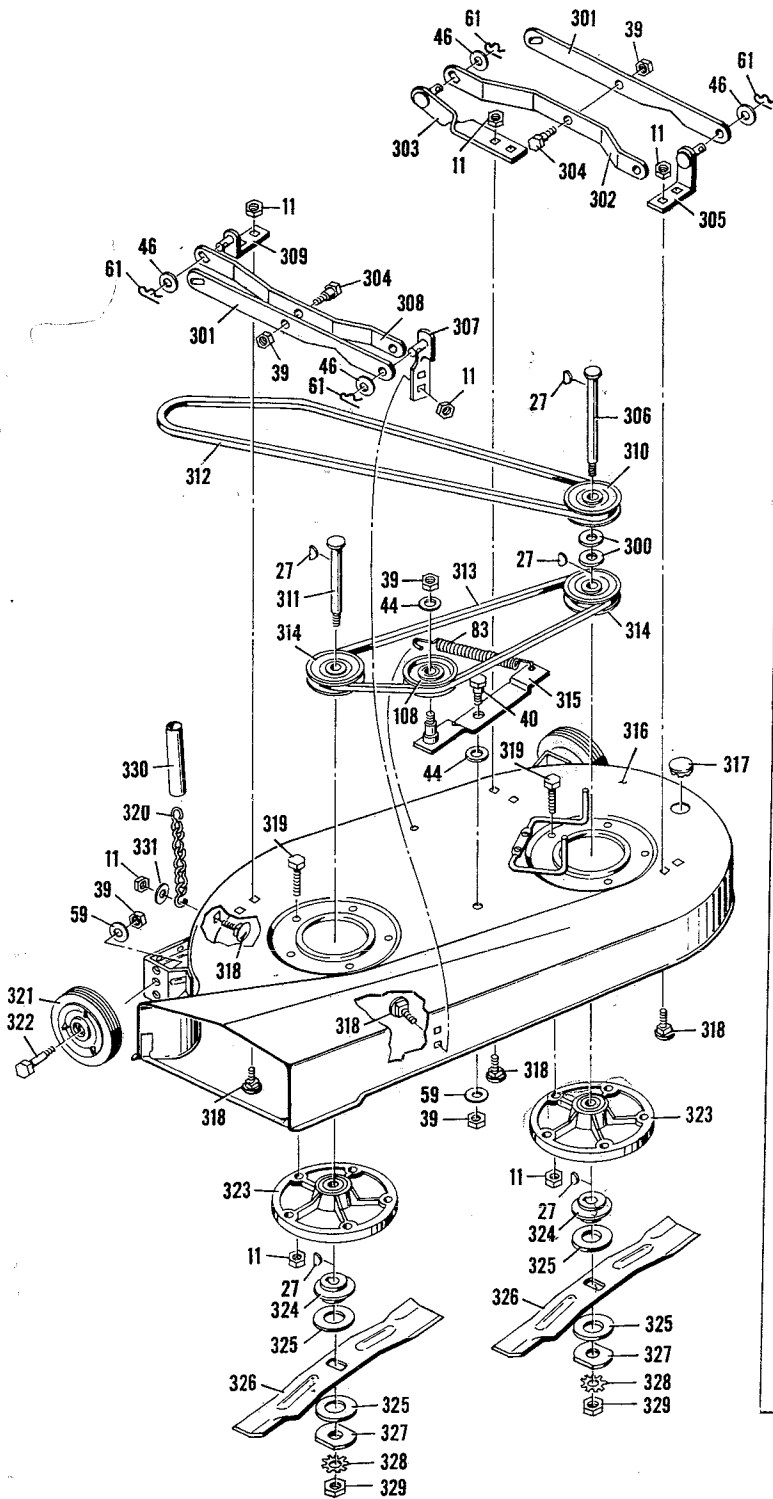
Models 1-3613 and 1-3633



ITEM NO.	PART NO.	DESCRIPTION	LIST PRICE EACH	ITEM NO.	PART NO.	DESCRIPTION	LIST PRICE EACH
1	21033	Steering Wheel	11.04	67	21009Z	Outer Bearing Retainer Assy.	1.08
2	21049	Steering Wheel Cap	1.88	68	20568	Rear Axle Bearing	3.07
3	32x68	Spring Pin	.20	69	20570Z	Bearing Retainer	.54
4	20728	Seat Pad	12.37	70	19x7	Shakeproof Washer	.20
5	2x55	Carriage Bolt 1/2-13x1	.44	71	1x77	Hex Bolt 3/8-24 x 3/4	.20
6	20727	Seat Pan Assy. (1-3613)	7.17	72	20733	Chain & Link #41	3.40
6	20766	Seat Pan Assy. (1-3633)	9.48	73	20730	Connecting Link #41 Chain	.34
7	21030	Upper Steering Post	1.96	74	21047Z	Hitch	2.00
8	20973	Shroud Assy. - L. Half (1-3613)	9.98	75	18x15	Lockwasher	.20
8	20975	Shroud Assy. - L. Half (1-3633)	10.13	76	15x2	Hex Nut 5/16-18	.20
9	26x184	Hex Tapping Screw #10x3/4	.23	77	21000	Differential & Axle	28.25
10	21029C	Steering Sleeve	1.58	78	21054	Belt Guide	.40
11	15x43	Locknut 5/16-18	.23	79	1x66	Hex Bolt 5/16-24 x 1 3/8	.20
12	21048Z	Seat Hinge	2.04	80	20670	Drive Idler Assy.	2.70
13	19x36	Lock Washer	.20	81	20915	Clutch Rod	.74
14	15x64	Hex Nut 1/2-13	.21	82	20954	Brake Rod	1.16
15	20735	Oil Drain Fitting	1.58	83	20682	Drive Idler Spring	.46
16	20926	Seat Bracket	3.78	84	10851Z	Plain Washer	.20
17	1x78	Hex Bolt 5/16-18x4 1/4	.20	85	20923	Running Board	20.67
18	2x57	Carriage Bolt 3/8-16 x 7/8	.20	86	30x49	Cotter Pin	.20
19	15x76	Keps Nut 5/16-18	.20	87	20947	Lower Steering Post	2.46
20	6x59	Hex Cap Scr. 5/16-18x2	.20	88	2x53	Carriage Bolt 5/16-18 x 5/8	.20
21	21035	Nylon Bearing	.62	89	20917	Brake Clamp L.H.	.46
22	20986	Console Assy. (1-3613)	6.43	90	20916	Clutch Clamp R.H.	.46
22	20987	Console Assy. (1-3633)	6.70	91	21052	Pedal Pad	.26
23	17x45	Plain Washer	.20	92	20999E	Clutch & Brake Pedal Assy.	1.36
24	26x50	Hex Tapping Screw 5/16 x 5/8	.20	93	21051	Pedal Back-Up Plate	.23
25	20697	Woodruff Key #9	.28	94	20919	Brake Lever L.H.	1.26
26	21013	Transmission - 3 Speed	74.14	95	20918	Clutch Lever R.H.	1.26
27	20062	Woodruff Key #6	.30	96	21041	Pedal Snubber Spring	.34
28	17x47	Plain Washer	.20	97	20993	Lifter Clamp	.22
29	15x42	Locknut 5/16-24	.20	98	21016	Parking Brake Base	2.28
30	----	Engine (See Note*)	----	99	29x93	Clevis Pin.	.20
31	20971	Shroud Panel	1.04	100	21007	Rubber Mat L.H.	3.49
32	26x159	Self Tapping Screw #8 x 3/8	.20	101	21006	Rubber Mat R.H.	3.49
33	20881	Model No. Plate	.20	102	20942	Lifter Rod	2.74
34	1x45	Bolt 5/16-18 x 5/8	.20	103	20716	Drive Belt	2.44
35	20901	Engine Base	16.23	104	21014Z	Stack Pulley Assy.	4.31
36	20636	Lifter Index Brkt.	.76	105	1x20	Hex Bolt 3/8-24 x 1	.20
37	21090	Hanger Brkt. Assy.	1.22	106	20614	Transmission Pulley	3.83
38	17x46	Plain Washer	.20	107	20698	Retainer Ring	.20
39	15x12	Lock Nut 3/8-16	.20	108	20613	Idler Pulley	3.96
40	20661	Shoulder Bolt	.36	109	20996	Hanger Brkt. Assy.	1.16
41	21031	Ball Joint	1.58	110	20949	Support Brkt.	.52
42	30x20	Cotter Pin	.20	111	15x41	Locknut 1/2-13	.20
43	21004Z	Link Rod	1.20	112	17x10C	Plain Washer	.20
44	17x53	Plain Washer	.20	113	20939	Spindle Bearing	.40
45	30x49	Cotter Pin	.20	114	20914	Front Axle Assy.	4.99
46	17x67	Plain Washer	.20	115	20953 -	Spindle Assy. L.H. 21309	3.04
47	21002Z	Blade Drive Lever Assy.	2.80	116	20908	Shoulder Bolt	2.34
48	20739	Lever Knob	.96	117	20952 -	Spindle Assy. R.H. 21308	3.04
49	20992	Coupling	2.50	118	20948	Tie Rod	.80
50	32x67	Spring Pin	.20	119	20743	Front Wheel & Tire (1-3613)	19.75
51	20587	Nylon Bearing	.20		133x2	Tire Only	12.88
52	21071	Steering Supt.	1.66		134x2	Tube Only	5.15
53	21017	Parking Brake Knob	2.14		135x2	Wheel Only	7.72
54	15x74	Hex Jam Nut	.20		20744	Front Wheel & Tire (1-3633)	22.96
55	400160	Frame Channel Assy.	10.93		133x4	Tire Only	16.34
56	20684	Blade Drive Idler Spring	.66		135x4	Wheel Only	9.13
57	15x77	Hex Nut 3/8 - 24	.20	120	20796C	Hub Cap - Front (1-3613)	.70
58	20943Z	Blade Drive Idler Assy.	2.28	120	21081	Hub Cap - Front (1-3633)	2.68
59	10851Z	Washer	.20	121	20797	Hub Cap - Rear	2.84
60	19x6	Shakeproof Washer	.20	122	20767	Control Unit	3.66
61	20692	Hair Pin Cotter	.20	123	26x182	Self Tapping Screw #10 x 1/2	.20
62	20718	Lifting Lever Grip	.30	124	21045C	Bezel Reflector	1.84
63	20658C	Lifting Lever	1.62	125	21063	Control Plate (1-3613)	2.77
64	20972	Shroud Assy. - R. Half	9.98	125	21061	Control Plate (1-3633)	2.69
65	20753	R.R. Wheel & Tire (1-3613)	31.08	126	20680	Lifter Spring	.20
	133x5	Tire Only	25.58	127	21005Z	Connector Rod	1.48
	135x5	Wheel Only	9.13	128	20848Z	Rear Axle Sleeve	.72
	20754	R.R. Wheel & Tire (1-3633)	31.08	129	61961	Plain Washer	.20
	133x6	Tire Only	25.58		20745	Front Wheel Bearing	.36
	135x5	Wheel Only	9.13				
	400162	Valve Stem & Cap - Tubeless	.89				
66	1x75	Hex Bolt 5/16-18 x 1 3/4	.20				

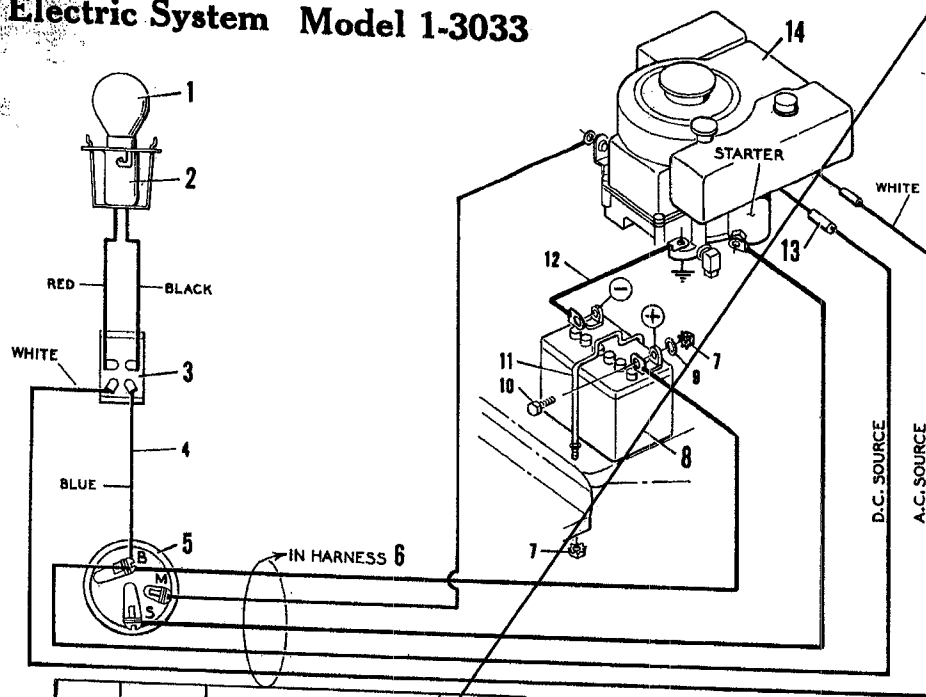
* Note: Your Engine Model, Type and Code Number is stamped on the Blower Housing.

**Blade Housing
Riding Mowers
Models 1-3613 and 1-3633**

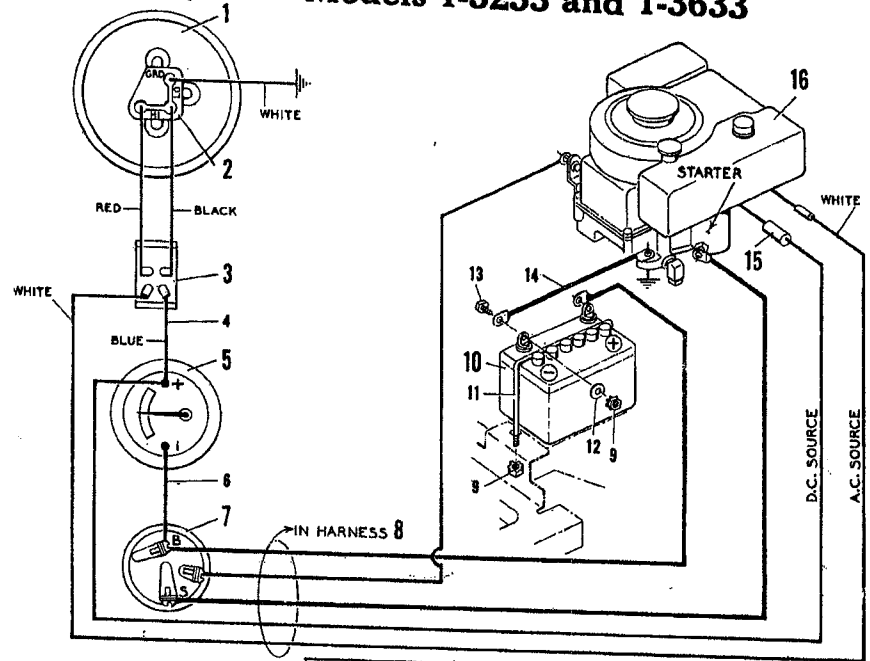


ITEM NO.	PART NO.	DESCRIPTION	LIST PRICE EACH
11	15x43	Locknut 5/16-18	.23
27	20062	Woodruff Key #6	.30
39	15x12	Locknut 3/8-16	.20
40	20662	Shoulder Bolt	.36
44	17x53	Plain Washer	.20
46	17x67	Plain Washer	.20
59	10851Z	Washer	.20
61	20692	Hair Pin Cotter	.20
83	20682	Drive Idler Spring	.46
108	20613	Idler Pulley	3.96
300	17x87	Plain Washer	.20
301	20644	Outer Scissor Arm	1.64
302	20643	Inner Scissor Arm L.H.	1.80
303	21020	Scissors Brkt. Assy. L.H. Rear	1.54
304	20661	Shoulder Bolt	.36
305	20995	Scissors Brkt. Assy. L.H. Front	1.18
306	21024	Jackshaft Long	3.09
307	21018	Scissor Brkt. Assy. R.H. Front	1.28
308	20642	Inner Scissors Arm R.H.	1.80
309	20994	Scissors Brkt. Assy. R.H.	1.14
310	21096	Jackshaft Pulley	2.85
311	20616	Jackshaft	2.75
312	20558	Blade Drive Belt	3.80
313	20557	Cross Drive Belt	3.26
314	21022	Jackshaft Pulley	2.79
315	20944Z	Idler Brkt., Assy.	1.30
316	21093	Blade Housing Assy.	25.35
317	20737	Plug Button	.20
318	2x53	Carriage Bolt 5/16-18x5/8	.20
319	1x73	Hex Bolt 5/16-18x7/8	.20
320	21028	Lifter Chain	.52
321	21027	Gauge Wheel	2.14
322	20086	Axle Bolt	.28
323	20551	Jackshaft Housing	7.90
324	20617	Blade Adapter	1.46
325	20618	Blade Cushion	.40
326	20930	Blade	2.98
327	20663Z	Blade Washer	.30
328	19x36	Shakeproof Washer	.20
329	15x72	Hex Nut 1/2-20	.20
330	20989	Chain Cover	.30
331	17x47	Plain Washer	.20

Electric System Model 1-3033

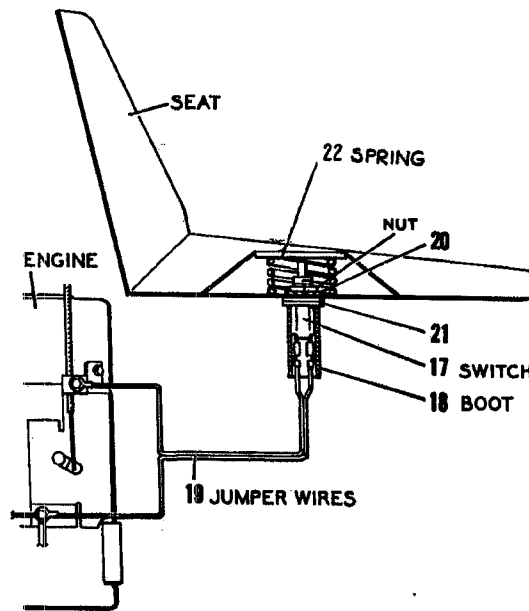


Electric System Models 1-3233 and 1-3633



26

ITEM NO.	PART NO.	PART NAME	LIST PRICE EACH
1	20775	Light Bulb	.76
2	20774	Socket	3.40
3	20776	Light Switch	4.18
4	20838	Jumper Wire	.42
5	21037	Switch & Key	4.79
6	20780	Wiring Harness Assy.	9.94
7	15x66	Keps Nut (1/4x20)	.25
8	21075	Battery - 12 Volt	38.79
9	17x36	Plain Washer	.20
10	1x38	Bolt (1/4-20x3/8)	.20
11	21060Z	Battery Hold Down	.60
12	20762	Battery Cable	2.36
13	21080	Fuse - 7.5 Amp	.20
14	-	Engine (See Mower Parts List)	----
17	20832	Seat Switch	1.40
18	20831	Switch Boot	.26
19	20834	Jumper Wires	.92
20	19x36	Shake-Proof Washer	.20
21	17x67	Plain Washer	.20
22	20833	Spring	.20



ITEM NO.	PART NO.	DESCRIPTION	LIST PRICE EACH
1	20837	Seal Beam Light	5.09
2	21074	Socket	2.38
3	20776	Light Switch	4.18
4	20838	Jumper Wire	.42
5	21057	Ammeter	3.54
6	21077	Jumper Wire	.60
7	21037	Switch & Key	4.79
8	20780	Wiring Harness Assy.	9.94
9	15x66	Keps Nut (1/4-20)	.25
10	21075	Battery - 12 Volt	38.79
11	21053Z	Battery Hold Down	.56
12	17x36	Plain Washer	.20
13	1x38	Hex Bolt 1/4-20x3/8	.20
14	21038	Battery Cable	2.82
15	21080	Fuse - 7.5 Amp	.20
16	-	Engine (See Mower Parts List)	----
17	20832	Seat Switch	1.40
18	20831	Switch Boot	.26
19	20834	Jumper Wires	.92
20	19x36	Shake-Proof Washer	.20
21	17x17	Plain Washer	.20
22	20833	Spring	.20