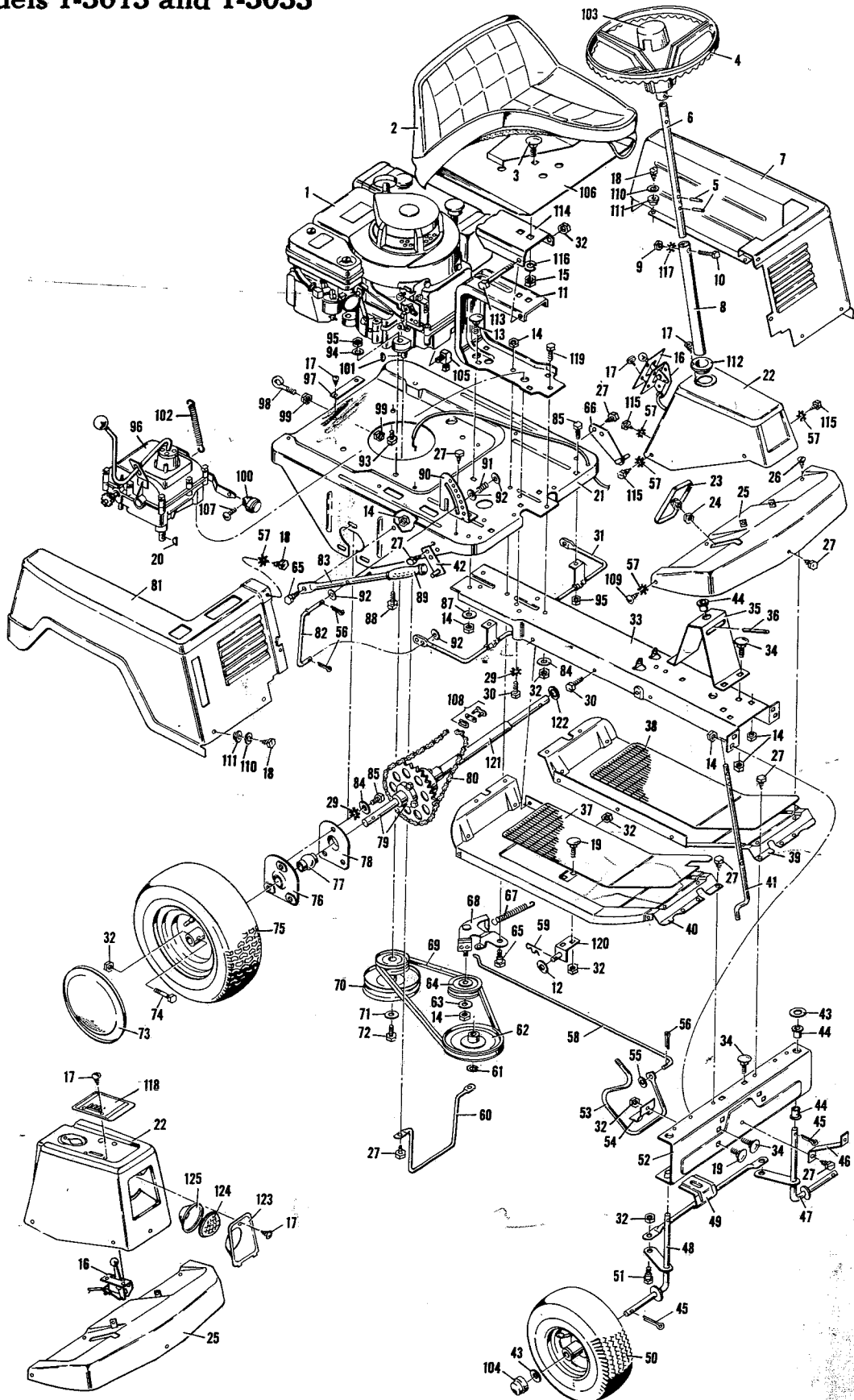


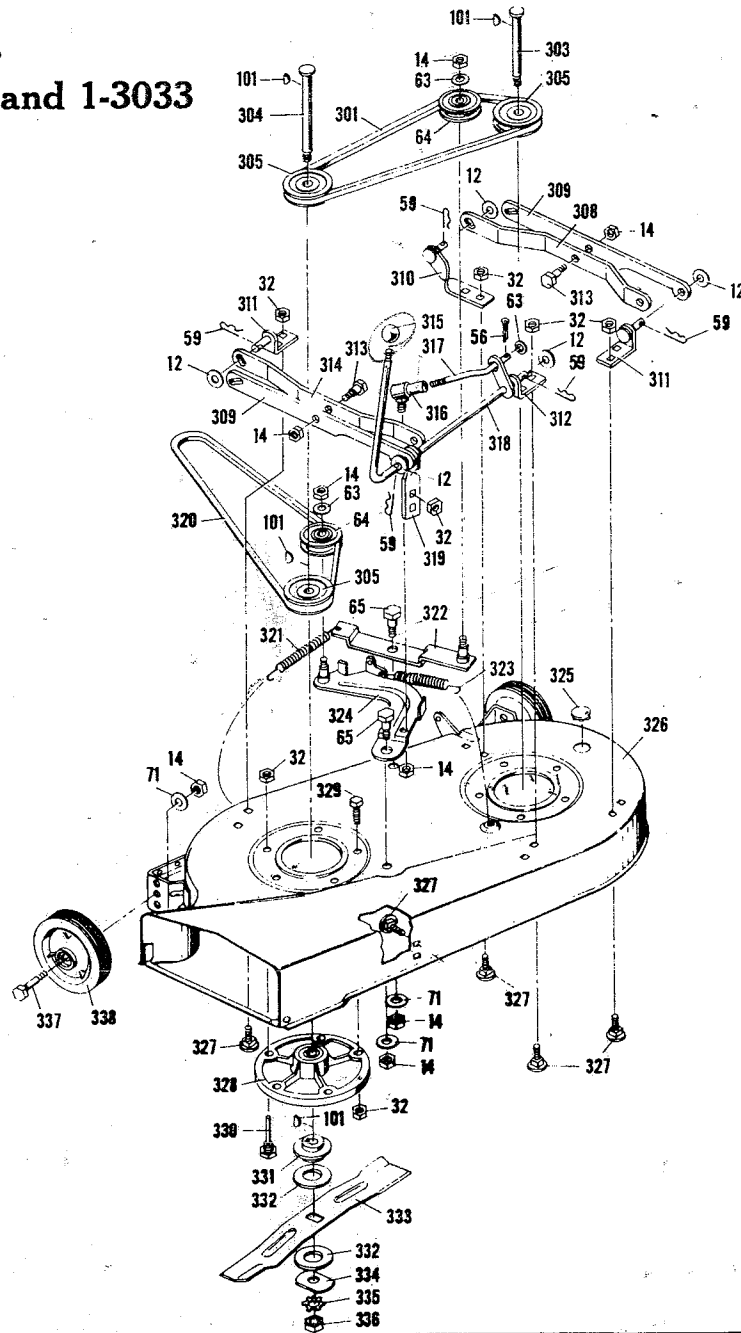
Riding Mower 30'' Models 1-3013 and 1-3033



ITEM NO.	PART NO.	DESCRIPTION	LIST PRICE EACH	ITEM NO.	PART NO.	DESCRIPTION	LIST PRICE EACH
1	----	Engine - See Note *	----	63	17x53	Plain Washer	.20
2	20728	Seat Pad	12.37	64	20613	Idler Pulley	3.96
3	2x55	Carriage Bolt 1/2-13x1	.44	65	20662	Shoulder Bolt	.36
4	20700	Steering Wheel	8.87	66	20510	Hanger & Pin Assy. L.H.	1.14
5	32x70	Spring Pin	.20	67	20682	Spring - Drive Idler	.46
6	20490	Steering Post	1.72	68	20670	Drive Idler Assy.	2.70
7	20599	Shroud Assy. - L. Half (1-3033)	5.88	69	20716	Drive Belt	2.44
7	20795	Shroud Assy. - L. Half (1-3013)	5.98	70	20626Z	Stack Pulley Assy.	4.46
8	20491C	Sleeve	1.60	71	10851Z	Plain Washer	.20
9	15x1	Hex Nut 1/4-20	.20	72	1x20	Hex Bolt 3/8-24x1	.20
10	6x58	Hex Cap Screw 1/4-20x1 1/2	.20	73	20797	Hub Cap - R. R. - Model 1-3033	2.84
11	20630	Seat Bracket	3.07	74	1x75	Hex Bolt 5/16-18x1 3/4	.20
12	17x67	Washer	.20	75	20752	R. R. Wheel & Tire	24.85
13	2x57	Carriage Bolt 3/8-16x7/8	.20		133x3	Tire Only	19.95
14	15x12	Locknut 3/8-16	.20		135x3	Wheel Only	12.08
15	15x64	Hex Nut 1/2-13	.21		20267	Valve Stem & Cap - Tubeless	.89
16	20768	Remote Control Unit	3.22	76	21009Z	Outer Brg. Ret. Assy.	1.08
17	26x159	Self Tapping Screw #8x3/8	.20	77	20568	Bronze Bearing	3.07
18	26x184	Hex Tapping Screw #10x5/8	.23	78	20570Z	Retainer - Inner	.54
19	2x53	Carriage Bolt 5/16-18x5/8	.20	79	20685	Differential & Axle	28.49
20	20697	Woodruff Key #9	.28	80	20732	Roller Chain & Link #41	3.06
21	20530	Engine Base	14.09	81	20792	Shroud Assy. - R. Half	5.80
22	20487	Console Assy. - Model 1-3013	4.88	82	20672Z	Connector Rod	.45
22	20488	Console Assy. - Model 1-3033	5.02	83	20658C	Lever & Pin Assy.	1.62
23	20575E	Pedal Assy.	.76	84	17x45	Plain Washer	.20
24	15x63	Hex Nut 7/16-14	.27	85	1x77	Hex Bolt 3/8-24x5/8	.20
25	20473	Apron Assy.	3.11	87	17x104	Plain Washer	.20
26	26x179	Tapping Scr. - Flat Hd. #10x1/2	.23	88	1x74	Hex Bolt 5/16-24x1 1/4	.20
27	26x50	Hex Tapping Screw 5/16x5/8	.20	89	20718	Grip	.30
28	26x51	Hex Tapping Screw 5/16x3/4	.23	90	20636	Index Brk't.	.76
29	19x7	Sh. Pr. Washer	.20	91	20680	Spring Lifter	.20
30	1x45	Hex Bolt 5/16-18x5/8	.20	92	17x46	Plain Washer	.20
31	20635Z	Lifting Rod & Hinge Assy.	2.92	93	20103	Engine Bolt 3/8-16x1 - 5 H.P. Engine Only	.33
32	15x43	Locknut 5/16-18	.23	94	17x47	Plain Washer	.20
33	20493	Frame Channel	4.89	95	15x42	Locknut 5/16-24	.20
34	2x56	Carriage Bolt 3/8-16x3/4	.20	96	20843	Transmission	75.00
35	21071	Steering Supt.	1.66	97	20881	Model No. Plate	.20
36	32x68	Spring Pin	.20	98	20696	Eye Bolt	.64
37	20690	Mat R. H.	2.62	99	15x33	Hex Nut 3/8-24	.20
38	20691	Mat. L. H.	2.62	100	20841	Brake Lever Knob	1.40
39	20541	Running Brd. - L. H.	3.47	101	20062	Woodruff Key #6	.30
40	20540	Running Brd. - R. H.	3.47	102	21021	Brake Spring	.36
41	20489	Lower Str'g. Post	2.38	103	20704	Steering Wheel Cap	.44
42	20513	Hanger & Pin Assy. R.H.	1.06	104	20796C	Hub Cap - Frt.	.70
43	17x100	Plain Washer	.20	105	20735	Oil Drain Fitting	1.58
44	20587	Nylon Bearing	.20	106	20727	Seat Pan Assy. (1-3013)	7.17
45	30x49	Cotter Pin	.20		20766	Seat Pan Assy. (1-3033)	9.48
46	20639	Apron Support	.24	107	26x188	Self Tapping Screw #8x1/4	.20
47	20583	Spindle & Arm Assy. - L. H.	2.88	108	20730	Connecting Link - #41 Chain	.34
48	20582	Spindle & Arm Assy. - R. H.	2.88	109	26x186	Truss Hd. Tap Screw #10x1/2	.23
49	20578	Tie Bar Assy.	2.44	110	17x106	Plain Washer	.20
50	20743	Frt. Wheel & Tire <i>Wheel Brk</i>	19.75	111	20720	Grommet	.20
	133x2	Tire Only <i>20745</i>	12.88	112	21034	Nylon Bearing	.66
	134x2	Tube Only	5.15	113	1x78	Hex Bolt 5/16-18x4 1/4 - Model 1-3033	.20
	135x2	Wheel Only	7.72	114	21048Z	Seat Hinge - Model 1-3033	2.04
51	20660	Shoulder Bolt	.26	115	26x184	Hex Tapping Screw #10x5/8	.23
52	20545	Frt. Axle Beam	2.94	116	18x27	Lock Washer	.20
53	20645	Clutch & Brake Lever	1.40	117	19x4	Shake-Proof Washer	.20
54	20572	Clamp	.20	118	20874	Control Plate - Model 1-3013	1.54
55	17x37	Plain Washer	.20	118	20873	Control Plate - Model 1-3033	1.54
56	30x20	Cotter Pin	.20	119	1x73	Hex Bolt 5/16-18x7/8	.20
57	19x1	Shake Pr. Washer	.20	120	20996	Hanger Brkt. Assy.	1.16
58	20669	Brake Rod	.70	121	20847Z	Rear Axle Sleeve	.66
59	20692	Hair Pin Cotter	.20	122	61961	Plain Washer	.20
60	20515	Belt Guide	.68	123	20501C	Bezel	1.16
61	20698	Retainer Ring	.20	124	20516	Lens	----
62	20614	Trans. Pulley	3.83	125	20502	Reflector	.50

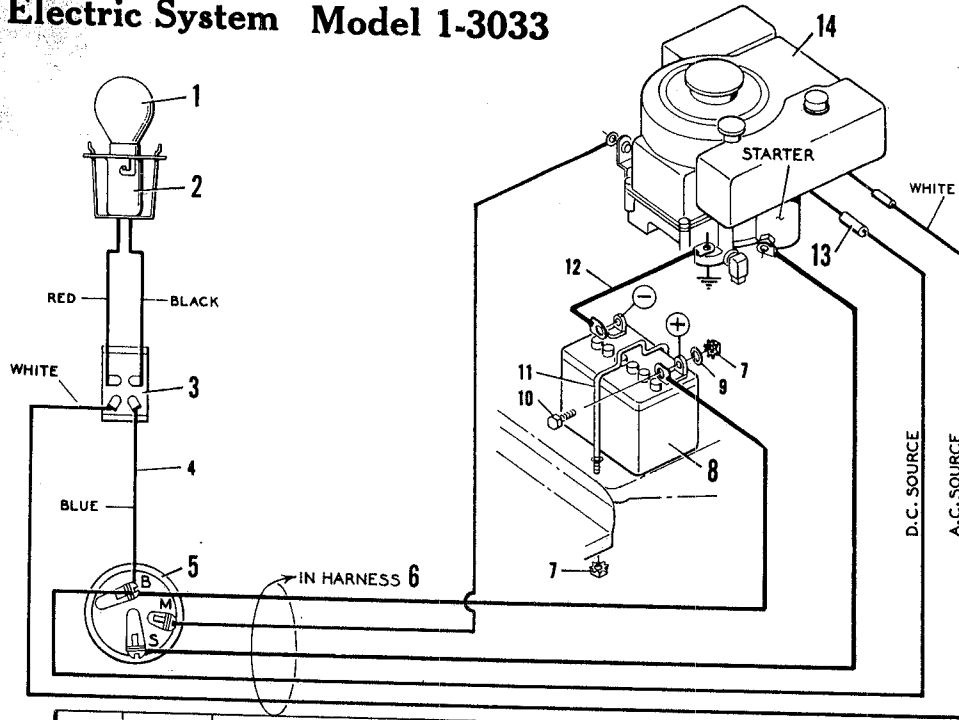
* Note: Your Engine Model, Type and Code Number is stamped on the Blower Housing. Repair and Replacement at Briggs & Stratton Service Center.

Blade Housing Riding Mowers Models 1-3013 and 1-3033

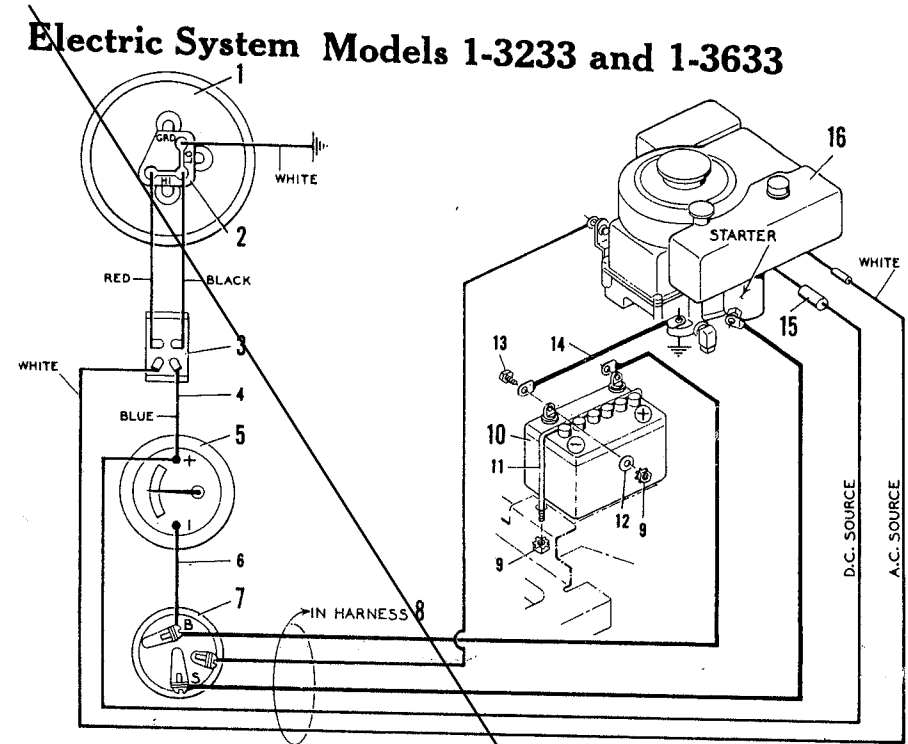


ITEM NO.	PART NO.	DESCRIPTION	LIST PRICE EACH	ITEM NO.	PART NO.	DESCRIPTION	LIST PRICE EACH	ITEM NO.	PART NO.	DESCRIPTION	LIST PRICE EACH
12	17x67	Plain Washer	.20	309	20644	Outer Arm	1.64	324	20689Z	Blade Idler Brkt. Assy.	2.24
14	15x12	Locknut (3/8-16)	.20	310	21020	Scissors Brkt. Assy.	.36	325	20737	Plug Button	.20
32	15x43	Locknut (5/16-18)	.23	311	20994	Hanger Brkt. Assy.	1.14	326	20482	Housing & Brkt. Assy.	23.67
56	30x20	Cotter Pin	.20	312	20936	Hanger Brkt.	.40	327	2x53	Carriage Bolt	.20
59	20692	Hair Pin Cotter	.20	313	20661	Shoulder Bolt	.36	328	20551	Jack Shaft Housing Assy.	7.90
63	17x53	Plain Washer	.20	314	20642	Inner Arm - P.H.	1.80	329	1x73	Hex Bolt (5/16-18x7/8)	.20
64	20613	Idler Pulley	3.96	315	20739	Knob	.96	330	20619	Guide Bolt	.38
65	20662	Shoulder Bolt	.36	316	21031	Ball Joint	1.58	331	20617	Blade Adapter	1.46
71	10851Z	Plain Washer	.20	317	20509Z	Link Rod	1.14	332	20618	Blade Cushion	.40
101	20062	Woodruff Key #6	.30	318	20505C	Lever & Link Assy.	2.82	333	20928	Blade	2.56
301	20555	Cross Drive Belt	3.06	319	21019	Housing Brkt.	----	334	20663Z	Washer	.30
303	20616	Jack Shaft - Short	2.75	320	20556	Primary Blade Belt	3.31	335	19x36	Shake Proof Washer	.20
304	21024	Jack Shaft - Long	3.09	321	20682	Idler Spring	.46	336	15x72	Hex Nut (1/2x20)	.20
305	21022	Pulley	2.79	322	20944Z	Idler Brkt. Assy.	1.30	337	20086	Axle Bolt	.28
308	20643	Inner Arm - L.H.	1.80	323	20684	Drive Spring	.66	338	21027	Gauge Wheel	2.14

Electric System Model 1-3033

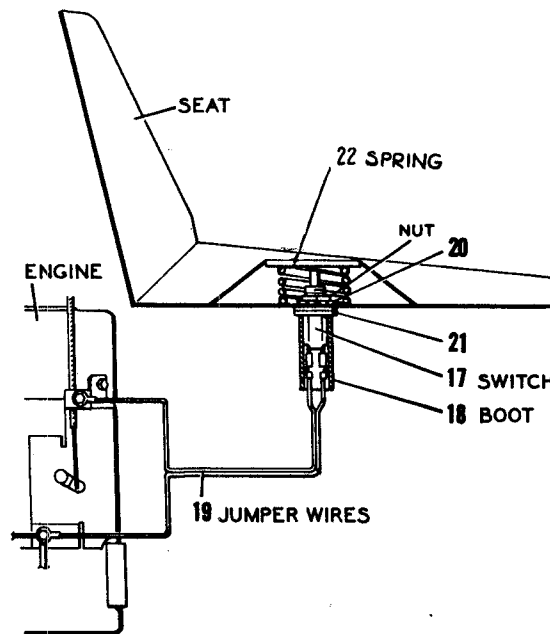


Electric System Models 1-3233 and 1-3633



26

ITEM NO.	PART NO.	PART NAME	LIST PRICE EACH
1	20775	Light Bulb	.76
2	20774	Socket	3.40
3	20776	Light Switch	4.18
4	20838	Jumper Wire	.42
5	21037	Switch & Key	4.79
6	20780	Wiring Harness Assy.	9.94
7	15x66	Keps Nut (1/4x20)	.25
8	21075	Battery - 12 Volt	38.79
9	17x36	Plain Washer	.20
10	1x38	Bolt (1/4-20x3/8)	.20
11	21060Z	Battery Hold Down	.60
12	20762	Battery Cable	2.36
13	21080	Fuse - 7.5 Amp	.20
14	- - -	Engine (See Mower Parts List)	- - -
17	20832	Seat Switch	1.40
18	20831	Switch Boot	.26
19	20834	Jumper Wires	.92
20	19x36	Shake-Proof Washer	.20
21	17x67	Plain Washer	.20
22	20833	Spring	.20



ITEM NO.	PART NO.	DESCRIPTION	LIST PRICE EACH
1	20837	Seal Beam Light	5.09
2	21074	Socket	2.38
3	20776	Light Switch	4.18
4	20838	Jumper Wire	.42
5	21057	Ammeter	3.54
6	21077	Jumper Wire	.60
7	21037	Switch & Key	4.79
8	20780	Wiring Harness Assy.	9.94
9	15x66	Keps Nut (1/4-20)	.25
10	21075	Battery - 12 Volt	38.79
11	21053Z	Battery Hold Down	.56
12	17x36	Plain Washer	.20
13	1x38	Hex Bolt 1/4-20x3/8	.20
14	21038	Battery Cable	2.82
15	21080	Fuse - 7.5 Amp	.20
16	- - -	Engine (See Mower Parts List)	- - -
17	20832	Seat Switch	1.40
18	20831	Switch Boot	.26
19	20834	Jumper Wires	.92
20	19x36	Shake-Proof Washer	.20
21	17x17	Plain Washer	.20
22	20833	Spring	.20