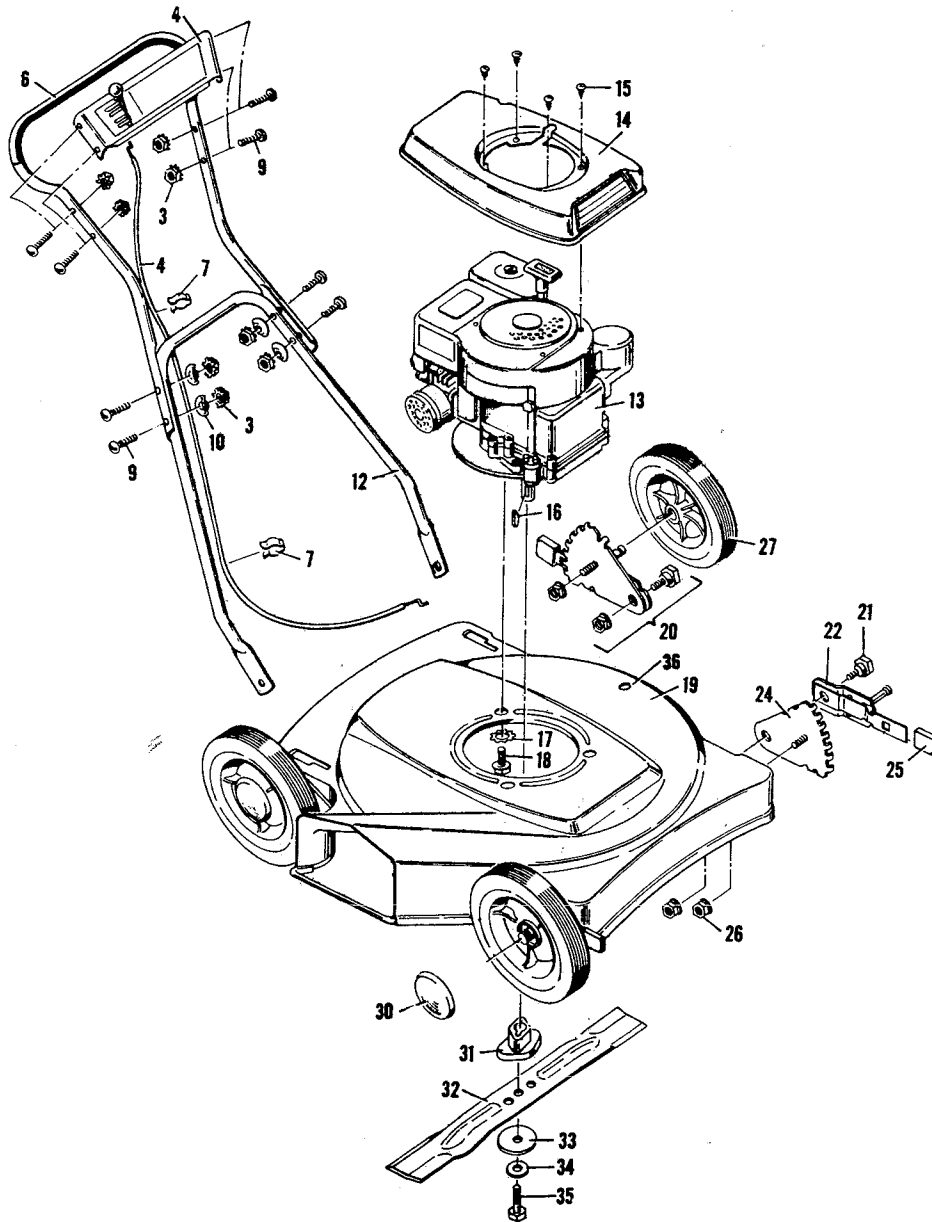


**1-2202 22" Deluxe Rotary Mower**



| ITEM NO. | MODEL NO. 1-2202 PART NO. | DESCRIPTION  | LIST PRICE EACH | ITEM NO. | MODEL NO. 1-2202 PART NO. | DESCRIPTION                  | LIST PRICE EACH |
|----------|---------------------------|--|-----------------|----------|---------------------------|------------------------------|-----------------|
| 3        | 15x66                     | Lock Nut (5)   | .25             | 20       | 400152                    | Wheel Adjuster Assy. (4)     | 2.63            |
| 4        | 20231                     | Control Assembly   | 2.82            | 21       | 20064                     | Shoulder Bolt (4)            | .35             |
| 6        | 20248C                    | Upper Handle Loop  | 3.83            | 22       | 20109Z                    | Arm, Axle & Spring Assy. (4) | 1.62            |
| 7        | 20089                     | Cable Clip (2)   | .26             | 24       | 20113Z                    | Index Plate Assy.            | 1.26            |
| 9        | 3x136                     | Screw (8)  | .20             | 25       | 20065                     | Lever Spring Knob (4)        | .32             |
| 10       | 20087                     | Formed Washer  | .20             | 26       | 15x68                     | Flange Locknut (8)           | .20             |
| 12       | 20058C                    | Lower Handle   | 3.42            | 27       | 20104                     | Wheel & Tire (4)             | 3.08            |
| 13       | Engine                    | Briggs & Stratton - See Note *<br>Repair & Replacement at<br>Briggs & Stratton Repair Center |                 | 30       | 20090                     | Hub Cap (4)                  | .62             |
| 14       | 20183                     | Engine Shroud  | 2.46            | 31       | 20050                     | Blade Adapter                | 2.33            |
| 15       | 26x159                    | Screw (4)  | .20             | 32       | 20046                     | Blade                        | 4.13            |
| 16       | 20062                     | Woodruff   | .30             | 33       | 20094Z                    | Washer                       | .25             |
| 17       | 19x8                      | Shakeproof Washer (3)  | .20             | 34       | 17x10I                    | Cup Washer                   | .41             |
| 18       | 20103                     | Engine Bolt (3)  | .33             | 35       | 1x68                      | Adapter Bolt                 | .20             |
| 19       | 20030                     | Housing Assy.  | 19.95           | 36       | 20737                     | Wash Out Plug                | .20             |

\* Note: Your Engine Model, Type and Code Number is stamped on the Blower Housing.