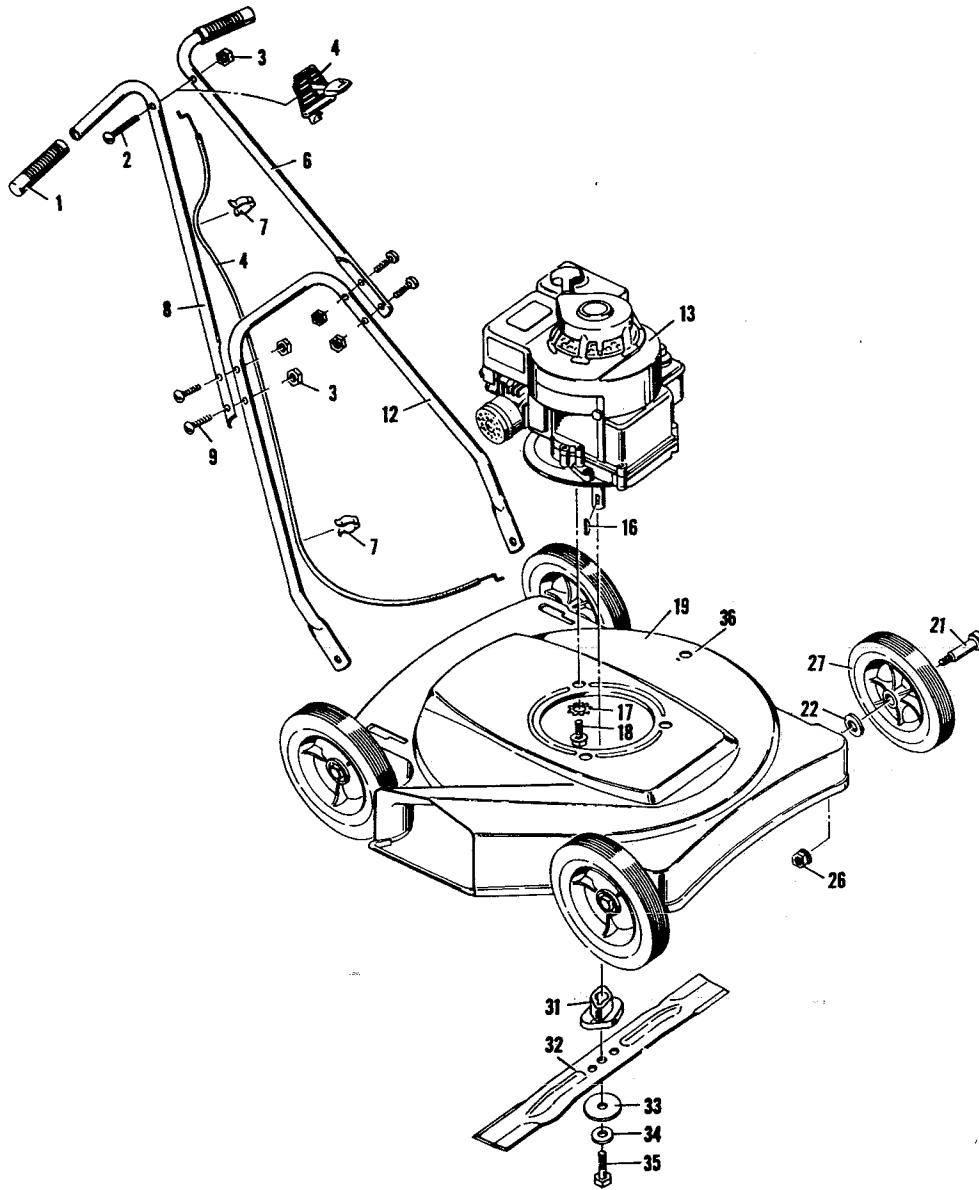


# 1-1801 18" Equipped Rotary Mower



ITEM NO.	MODEL 1-1801 PART NO.	DESCRIPTION	LIST PRICE EACH	ITEM NO.	MODEL 1-1801 PART NO.	DESCRIPTION	LIST PRICE EACH
1	20718	Grip (2)	.30	17	19x8	Shakeproof Washer (3)	.20
2	3x128	Screw	.20	18	20103	Engine Bolt (3)	.33
3	15x66	Lock Nut (5)	.25	19	20285	Housing Assy.	14.46
4	20230	Control Assy.	2.70	21	20086	Axle Bolt (4)	.28
6	20307C	Upper Handle L. H.	1.85	22	10851Z	Washer (4)	.20
7	20260	Cable Clip (2)	.25	26	15x68	Flange Locknut (4)	.20
8	20307C	Upper Handle R. H.	1.85	27	20106	Wheel & Tire (4)	2.62
9	3x97	Screw (4)	.20	31	20050	Blade Adapter	2.33
12	20308C	Lower Handle	2.72	32	20059	Blade	4.03
13	Engine	Briggs & Stratton - See Note *	- . .	33	20094Z	Washer	.25
		Repair and Replacement at Briggs & Stratton Service Center		34	17x101	Cup Washer	.41
16	20062	Woodruff Key	.30	35	1x68	Adapter Bolt	.20
				36	20737	Wash Out Plug	.20

\* Note: Your Engine Model, Type and Code Number is stamped on the Blower Housing.