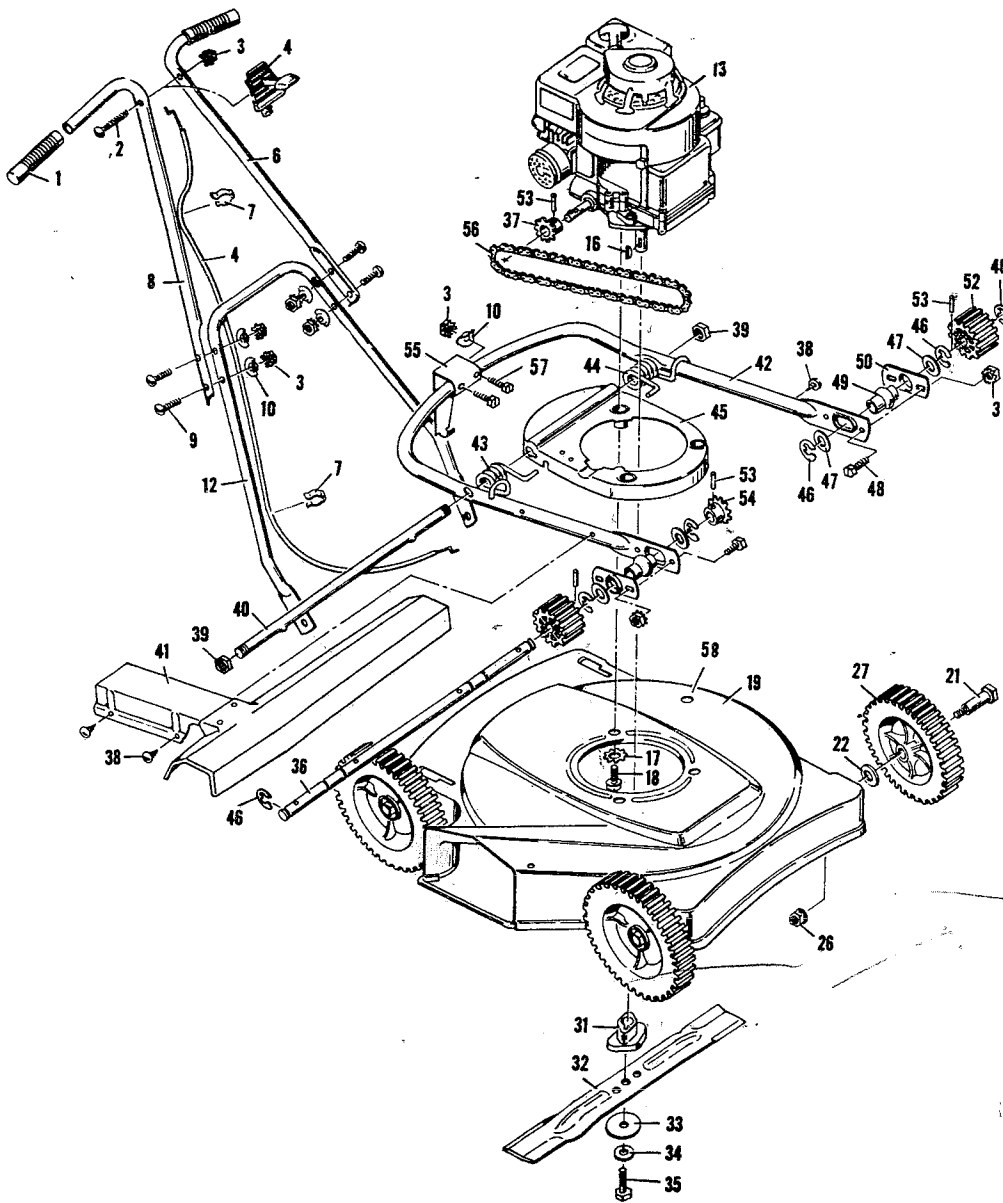


0-2251 22" Yellow Self-Propelled Rotary Mower



ITEM NO.	MODEL 0-2251 PART NO.	DESCRIPTION	LIST PRICE EACH	ITEM NO.	MODEL 0-2251 PART NO.	DESCRIPTION	LIST PRICE EACH	ITEM NO.	MODEL 0-2551 PART NO.	DESCRIPTION	LIST PRICE EACH
1	20143	Grip (2)	.57	19	20030E	Housing Assy.	22.93	42	20013E	Drive Arm	3.10
2	3x137	Screw	.20	21	20086	Axle Bolt (4)	.28	43	20067Z	Torsion Spring R. H.	1.16
3	15x66	Locknut (11)	.25	22	10851Z	Washer (4)	.20	44	20068Z	Torsion Spring L. H.	1.14
4	20230	Control Assy.	2.70	26	15x68	Flange Lock Nut (4)	.20	45	20054E	Base & Spacer Assy.	2.83
6	20061C	Upper Handle L. H.	1.79	27	20105	Wheel & Tire (4)	3.78	46	20100	Retainer Ring (6)	.20
7	20089	Cable Clip (2)	.26	31	20051	Blade Adapter	2.53	47	17x100Z	Washer (4)	.20
8	20060C	Upper Handle R. H.	1.79	32	20046E	Blade	4.13	48	1x38	Bolt (4)	.20
9	3x136	Screw (4)	.20	33	20094Z	Washer	.22	49	20048	Bearing (2)	1.05
10	20087	Formed Washer (6)	.20	34	17x101	Cup Washer	.41	50	20049Z	Bearing Retainer (2)	.30
12	20058C	Lower Handle	3.42	35	1x69	Adapter Bolt	.38	52	20066	Drive Pinion (2)	1.05
13	Engine	Briggs & Stratton (92982-1046-01) Repair & Replacement at Briggs & Stratton Service Center		36	20091	Drive Shaft 22151	4.25	53	32x64	Spring Pin (4)	.20
16	20062	Woodruff Key	.25	37	20079	Engine Sprocket	1.47	54	20080	Drive Shaft Sprocket	1.57
17	19x8	Shakeproof Washer (3)	.20	38	26x159	Screw (5)	.20	55	20047E	Spring Latch	1.30
18	20102	Engine Bolt (3)	.56	39	15x64Z	Hex. Nut (2)	.21	56	20108	Chain & Link	1.52
				40	20085Z	Pivot Shaft	1.16	57	1x71	Bolt (2)	.25
				41	20177E	Pinion & Chain Guard	3.52	58	20737	Plug Button	.20