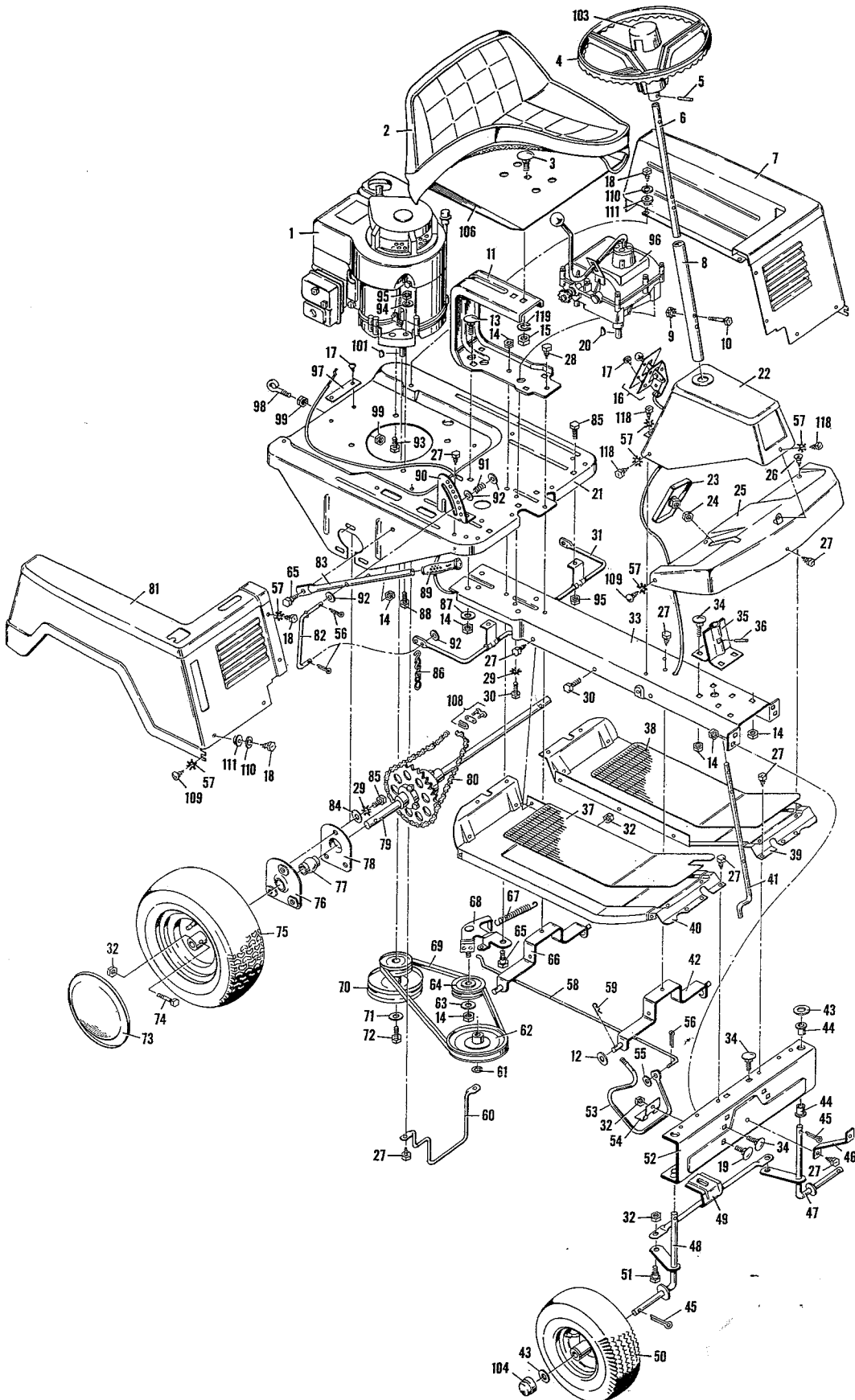


RIDING MOWER MODELS 9-2503 & 9-2504 25" OLIVE



**RIDING MOWERS
MODELS 9-2503 AND 9-2504**

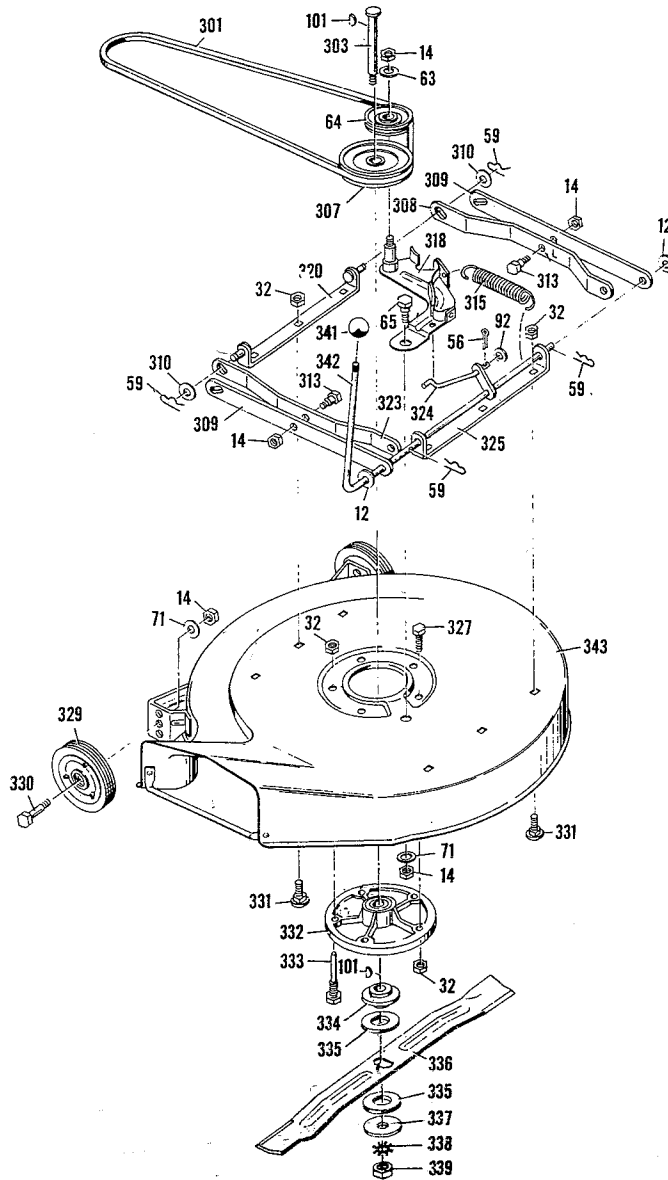
ITEM NO.	PART NO.	PART NAME	LIST PRICE EACH	ITEM NO.	PART NO.	PART NAME	LIST PRICE EACH
1	*Engine	Briggs & Stratton (130902-0229-01) Repair & Replacement at Briggs & Stratton Service Center		55	17x37Z	Plain Washer	\$.20
2	20723	Seat Pad	\$12.39	56	30x20	Cotter Pin (3)	.20
3	2x55	Carriage Bolt 1/2-13x1	.44	57	19x1	Sh. Pr. Washer (11)	.20
4	20701	Steering Wheel	8.99	58	20669	Brake Rod	.38
5	32x66	Spring Pin	.20	59	20692	Hair Pin Cotter (4)	.20
6	20651	Steering Post Ass'y.	.87	60	20677	Belt Guide	.42
7	20599	Shroud Ass'y. L. Half	5.29	61	20698	Retainer Ring	.20
8	20656C	Sleeve Ass'y.	.70	62	20614	Trans. Pulley	3.18
9	15x66	Keps Nut 1/4-20 (2)	.25	63	17x53	Plain Washer	.20
10	6x58	Hex Cap Screw 1/4-20-1 1/2 (2)	.20	64	20613	Idler Pulley	3.85
11	20630	Seat Bracket	2.52	65	20662	Shoulder Bolt (2)	.33
12	17x67Z	Plain Washer (4)	.20	66	20665	RR. Hanger Brkt. Ass'y.	1.85
13	2x57	Carriage Bolt 3/8-16x7/8 (4)	.20	67	20682	Spring - Drive Idler	.26
14	15x12Z	Locknut 3/8-16 (17)	.20	68	20670	Drive Idler Ass'y.	2.81
15	15x64Z	Hex Nut 1/2-13	.21	69	20716	Drive Belt	2.10
16	*20770	Remote Control Unit	2.01	70	20626Z	Stack Pulley Ass'y.	3.12
17	26x159	Self Tapping Scr. #8x3/8 (4)	.20	71	10851Z	Plain Washer	.20
18	26x184	Hex Tapping Scr. #10x3/8 (10)	.20	72	1x20	Hex Bolt 3/8-24-1	.20
19	2x53	Carriage Bolt 5/16-18x3/8 (2)	.20	73	20797	Hub Cap - RR. (2)	1.90
20	20697	Woodruff Key #9	.24	74	1x75	Hex Bolt 5/16-18x1 3/4 (2)	.20
21	20530	Engine Base	10.97	75	20752	RR. Wheel & Tire (2)	25.98
22	20564	Console Ass'y.	3.18		133x3 }	Tire Only	19.95
23	20575E	Pedal Ass'y.	.55		135x3 }	Wheel Only	12.08
24	15x63Z	Hex Nut 7/16-14	.27	76	20267	Valve Stem & Cap	.89
25	20600	Apron	2.12	77	20571Z	Outer Brg. Ret. Ass'y. (2)	.50
26	26x179	Tapping Scr. - Flat Hd. #10x1/2 (4)	.20	78	20568	Bronze Bearing (2)	3.07
27	26x180	Hex Tapping Scr. 5/16x3/8 (21)	.20	79	20570Z	Retainer - Inner (2)	.37
28	26x51	Hex Tapping Scr. 5/16x3/8	.23	80	20685	Differential & Axle	28.49
29	19x6	Sh. Pr. Washer (10)	.20	81	20732	Roller Chain & Link #41	2.93
30	1x45	Hex Bolt 5/16-18x3/8 (6)	.20	82	20792	Shroud Ass'y. - R. Half	5.29
31	20635Z	Lifting Rod & Hinge Ass'y.	1.64	83	20672Z	Connector Rod	.45
32	15x43Z	Locknut 5/16-18 (8)	.23	84	20658C	Lever & Pin Ass'y.	.35
33	20544	Frame Channel	4.41	85	17x45Z	Plain Washer (6)	.20
34	2x56	Carriage Bolt 3/8-16x3/4 (10)	.20	86	1x63	Hex Bolt 5/16-24x3/8 (8)	.20
35	20586	Steering Supt. Ass'y.	.86	87	20699	Chain - Lifter (2)	.21
36	32x64	Spring Pin	.20	88	17x104	Plain Washer (4)	.20
37	20690	Mat R. H.	1.91	89	1x74	Hex Bolt 5/16-24x1 1/4 (3)	.20
38	20691	Mat L. H.	1.76	90	20718	Grip	.25
39	20541	Running Brd. - L. H.	3.47	91	20636	Index Brkt.	.37
40	20540	Running Brd. - R. H.	3.47	92	20680	Spring - Lifter	.20
41	20650Z	Lower Strg. Post	1.37	93	17x46Z	Plain Washer (4)	.20
42	20664	Frt. Hanger Brkt. Ass'y.	1.79	94	20103	Engine Bolt 3/8-16x1	.33
43	17x100Z	Plain Washer (4)	.20	95	17x47Z	Plain Washer (3)	.20
44	20587	Nylon Bearing (4)	.20	96	15x42Z	Locknut 5/16-24 (5)	.20
45	30x49	Cotter Pin (4)	.20	97	20713	Transmission - 3 Spd.	64.38
46	20639	Apron Support	.27	98	94x3	Model No. Plate	.26
47	20583	Spindle & Arm Ass'y. - L. H.	1.71	99	20696	Eye Bolt	.38
48	20582	Spindle & Arm Ass'y. - R. H.	1.71	101	15x33	Hex Nut 3/8-24 (2)	.20
49	20578	Tire Bar Ass'y.	.70	103	20062	Woodruff Key #6	.25
50	20743	Frt. Wheel & Tire (2)	19.44	104	20705	Steering Wh'l. Cap	.99
	133x2 }	Tire Only	12.88	106	20796C	Hub Cap - Frt. (2)	.33
	134x2 }	Tube W/Cap	5.15	108	20727	Seat Pan Ass'y.	7.17
	135x2 }	Wheel Only	7.72	109	20730	Connecting Link - #41 Chain	.25
51	20660	Shoulder Bolt (2)	.22	110	26x25	Truss Hd. Tap. Scr. #10x1/2 (4)	.20
52	20545	Frt. Axle Beam	2.94	111	17x106	Pl. Washer (8)	.20
53	20645	Clutch & Brake Lever	.85	118	20720	Grommet (8)	.20
54	20572	Clamp	.20	119	26x185	Hex Tapping Scr. #10x3/8 (5)	.20
					18x27	Lock Washer	.20

* Model 9-2504

(1) Briggs & Stratton (170702-0689-01)

(16) Control & Knob Unit 20772 at 2.12

**BLADE HOUSING
RIDING MOWERS
MODELS 9-2501, 9-2502, 9-2503 AND 9-2504**



ITEM NO.	PART NO.	PART NAME	LIST PRICE EACH	ITEM NO.	PART NO.	PART NAME	LIST PRICE EACH	ITEM NO.	PART NO.	PART NAME	LIST PRICE EACH
12	17x67Z	Plain Washer (2)	\$.20	307	20615	Jack Shaft Pulley	\$ 3.03	327	1x73	Hex Bolt 5/16-18x7/8 (4)	.20
14	15x12Z	Locknut 3/8-16 (6)	.20	308	20643	Inner Arm L. H.	1.03	329	20629	Gauge Wheel (2)	1.22
32	15x43Z	Locknut 5/16-18 (11)	.23	309	20644	Outer Arm (2)	.88	330	20086	Axle Bolt (2)	.28
56	30x20	Cotter Pin	.20	310	17x103	Plain Washer (2)	.20	331	2x54	Step Bolt 5/16-18x5/8 (6)	.38
59	20692	Hair Pin Cotter (4)	.20	313	20661	Shoulder Bolt (2)	.32	332	20551	Jackshaft Hsng. Assy.	6.90
63	17x53Z	Plain Washer	.20	315	20681	Spring	.34	333	20619	Guide Bolt	.22
64	20613	Idler Pulley	3.85	318	20671	Idler Brk't. & Brake Assy.	3.11	334	20617	Blade Adapter	.65
65	20662	Shoulder Bolt	.33	320	20668	RR. Scissor Brk't. Assy.	1.15	335	20618	Blade Cushion (2)	.25
71	10851Z	Plain Washer (3)	.20	321*	20719	Grip	.34	336	20083	Blade	1.98
92	17x46Z	Plain Washer	.20	322*	20676Z	Lever and Link Assy.	1.34	337	20663Z	Washer	.23
101	20062	Woodruff Key #6 (2)	.25	323	20642	Inner Arm R. H.	1.03	338	19x36	Sh. Pr. Washer	.20
301	20717	Blade Belt	3.20	324	20673Z	Rod-Blade Brake	.31	339	15x72	Hex Nut 1/2-20	.20
303	20616	Jack Shaft	2.58	325	20666	Frt. Scissor Brk't.	.46	343	20550	Housing & Brk'ts. Assy.	17.40

* Exception For Model 2503 & 2504.

321 20739 Knob @ .42
322 20675C Lever & Link Assy. @ 1.47