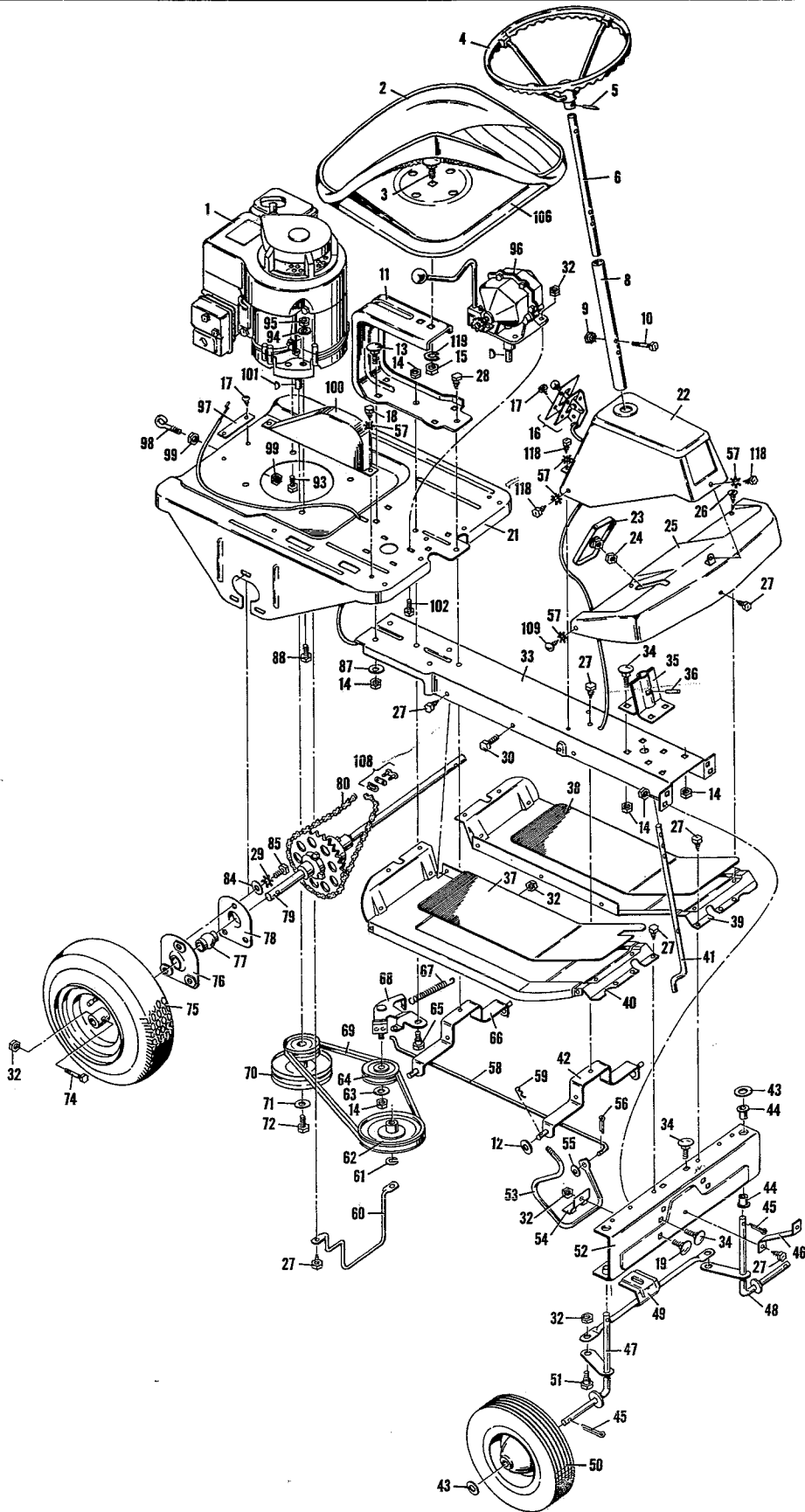


RIDING MOWER
9-2501 25" GOLD

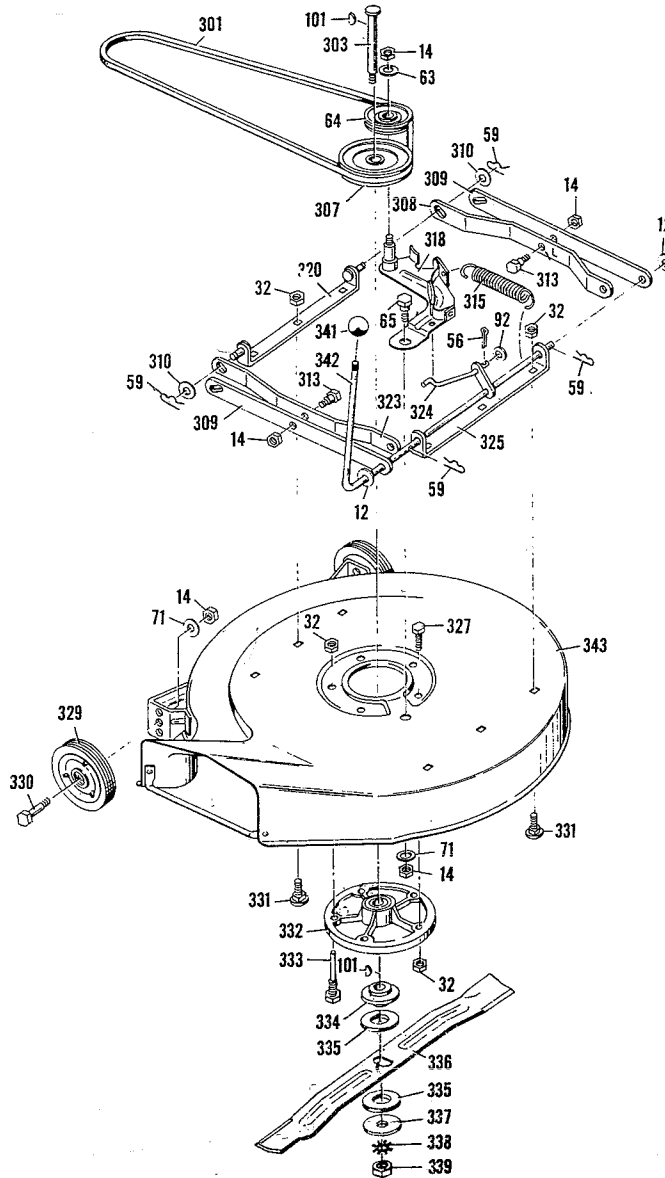


RIDING MOWER

9-2501 25" GOLD

ITEM NO.	PART NO.	PART NAME	LIST PRICE EACH	ITEM NO.	PART NO.	PART NAME	LIST PRICE EACH
1	Engine	Briggs & Stratton (130902-0217-11) Repair & Replacement at Briggs & Stratton Service Center		53	20645	Clutch & Brake Lever	\$.85
2	20721	Seat Pad	\$ 6.60	54	20572	Clamp	.20
3	2x55	Carriage Bolt 1/2-13x1	.44	55	17x37Z	Plain Washer	.20
4	20702	Steering Wheel	8.53	56	30x20	Cotter Pin	.20
5	32x66	Spring Pin	.20	57	19x1	Sh. Pr. Washer (9)	.20
6	20651	Steering Post Ass'y.	.87	58	20669	Brake Rod	.38
8	20656	Sleeve Ass'y.	.70	59	20692	Hair Pin Cotter (4)	.20
9	15x66	Keys Nut 1/4-20 (2)	.25	60	20677	Belt Guide	.42
10	6x58	Hex Cap Screw 1/4-20x1 1/2 (2)	.20	61	20598	Retainer Ring	.20
11	20630	Seat Bracket	2.52	62	20614	Trans. Pulley	3.18
12	17x67Z	Plain Washer (4)	.20	63	17x53Z	Plain Washer	.20
13	2x57	Carriage Bolt 3/8-16x3/4 (4)	.20	64	20613	Idler Pulley	3.85
14	15x12Z	Locknut 3/8-16 (17)	.20	65	20662	Shoulder Bolt	.33
15	15x64Z	Hex Nut 1/2-13	.21	66	20665	RR. Hanger Brkt. Ass'y.	1.85
16	20770	Remote Control Unit	2.01	67	20682	Spring - Drive Idler	.26
17	26x159	Self Tapping Scr. #8x3/8 (4)	.20	68	20670	Drive Idler Ass'y.	2.80
18	26x184	Hex Tapping Scr. #10x3/8 (2)	.20	69	20715	Drive Belt	2.10
19	2x53	Carriage Bolt 5/16-18x3/8 (2)	.20	70	20626Z	Stack Pulley Ass'y.	3.12
21	20533	Engine Base	11.41	71	10851Z	Plain Washer	.20
22	20564	Console Ass'y.	3.18	72	1x20	Hex Bolt 3/8-24-1	.20
23	20575E	Pedal Ass'y.	.55	74	1x75	Hex Bolt 5/16-18x1 3/4 (2)	.20
24	15x63Z	Hex Nut 7/16-14	.27	75	20751	RR. Wheel & Tire (2)	24.66
25	20600	Apron	2.12		133x1	Tire Only	16.39
26	26x179	Tapping Scr. - Flat Hd. #10x1/2 (4)	.20		134x1	Tube W/Cap	5.38
27	26x180	Hex Tapping Scr. 5/16x3/8 (19)	.20		135x1	Wheel Only	11.63
28	26x51	Hex Tapping Scr. 5/16x3/8	.23	76	20571Z	Outer Brg. Ret. (2)	.50
29	19x6	Sh. Pr. Washer (6)	.20	77	20568	Bronze Bearing (2)	3.07
30	1x45	Hex Bolt 5/16-18x3/8 (2)	.20	78	20570Z	Retainer - Inner (2)	.37
32	15x43Z	Locknut 5/16-18 (12)	.23	79	20685	Differential & Axle	28.49
33	20544	Frame Channel	4.41	80	20731	Roller Chain & Link #41	3.07
34	2x56	Carriage Bolt 3/8-16x3/4 (10)	.20	84	17x45Z	Plain Washer (6)	.20
35	20586	Steering Supt. Ass'y.	.86	85	1x63	Hex Bolt 5/16-24x3/8 (6)	.20
36	32x64	Spring Pin	.20	87	17x104	Plain Washer (4)	.20
37	20798	Mat R. H.	2.20	88	1x74	Hex Bolt 5/16-24x1 1/4 (3)	.20
38	20799	Mat L. H.	1.95	93	20103	Engine Bolt 3/8-16x1	.33
39	20541	Running Brd. - L. H.	3.47	94	17x47Z	Plain Washer (3)	.20
40	20540	Running Brd. - R. H.	3.47	95	15x42Z	Locknut 5/16-24 (3)	.20
41	20650Z	Lower Strg. Post	1.37	96	20711	Transmission - 1 Spd.	31.52
42	20664	Frt. Hanger Brkt. Ass'y.	1.79	97	94x1	Model No. Plate	.26
43	17x100Z	Plain Washer (4)	.20	98	20696	Eye Bolt	.38
44	20587	Nylon Bearing (4)	.20	99	15x33	Hex Nut 3/8-24 (2)	.20
45	30x49	Cotter Pin (4)	.20	100	20605	Chain Guard	.58
46	20639	Apron Support	.27	102	1x73	Hex Bolt 5/16-19x3/8 (4)	.20
47	20583	Spindle & Arm Ass'y. - L. H.	1.71	106	20725	Seat Pan Ass'y.	5.09
48	20582	Spindle & Arm Ass'y. - R. H.	1.71	108	20730	Connecting Link - #41 Chain	.25
49	20578	Tie Bar Ass'y.	.70	109	26x25	Truss Hd. Tap. Scr. #10x1/2 (2)	.20
50	20741	Frt. Wheel & Tire (2)	9.24	118	26x185	Hex Tapping Scr. #10x3/8 (5)	.20
51	20660	Shoulder Bolt (2)	.22	119	18x27	Lock Washer	.20
52	20545	Frt. Axle Beam	2.94				

**BLADE HOUSING
RIDING MOWERS
MODELS 9-2501, 9-2502, 9-2503 AND 9-2504**



ITEM NO.	PART NO.	PART NAME	LIST PRICE EACH	ITEM NO.	PART NO.	PART NAME	LIST PRICE EACH	ITEM NO.	PART NO.	PART NAME	LIST PRICE EACH
12	17x67Z	Plain Washer (2)	\$.20	307	20615	Jack Shaft Pulley	\$ 3.03	327	1x73	Hex Bolt 5/16-18x7/8 (4)	.20
14	15x12Z	Locknut 3/8-16 (6)	.20	308	20643	Inner Arm L. H.	1.03	329	20629	Gauge Wheel (2)	1.22
32	15x43Z	Locknut 5/16-18 (11)	.23	309	20644	Outer Arm (2)	.88	330	20086	Axle Bolt (2)	.28
56	30x20	Cotter Pin	.20	310	17x103	Plain Washer (2)	.20	331	2x54	Step Bolt 5/16-18x5/8 (6)	.38
59	20692	Hair Pin Cotter (4)	.20	313	20661	Shoulder Bolt (2)	.32	332	20551	Jackshaft Hsng. Assy.	6.90
63	17x53Z	Plain Washer	.20	315	20681	Spring	.34	333	20619	Guide Bolt	.22
64	20613	Idler Pulley	3.85	318	20671	Idler Brk't. & Brake Assy.	3.11	334	20617	Blade Adapter	.65
65	20662	Shoulder Bolt	.33	320	20668	RR. Scissor Brk't. Assy.	1.15	335	20618	Blade Cushion (2)	.25
71	10851Z	Plain Washer (3)	.20	321*	20719	Grip	.34	336	20083	Blade	1.98
92	17x46Z	Plain Washer	.20	322*	20676Z	Lever and Link Assy.	1.34	337	20663Z	Washer	.23
101	20062	Woodruff Key #6 (2)	.25	323	20642	Inner Arm R. H.	1.03	338	19x36	Sh. Pr. Washer	.20
301	20717	Blade Belt	3.20	324	20673Z	Rod-Blade Brake	.31	339	15x72	Hex Nut 1/2-20	.20
303	20616	Jack Shaft	2.58	325	20666	Frnt. Scissor Brk't.	.46	343	20550	Housing & Brk'ts. Assy.	17.40

* Exception For Model 2503 & 2504.

321 20739 Knob @ .42
322 20675C Lever & Link Assy. @ 1.47