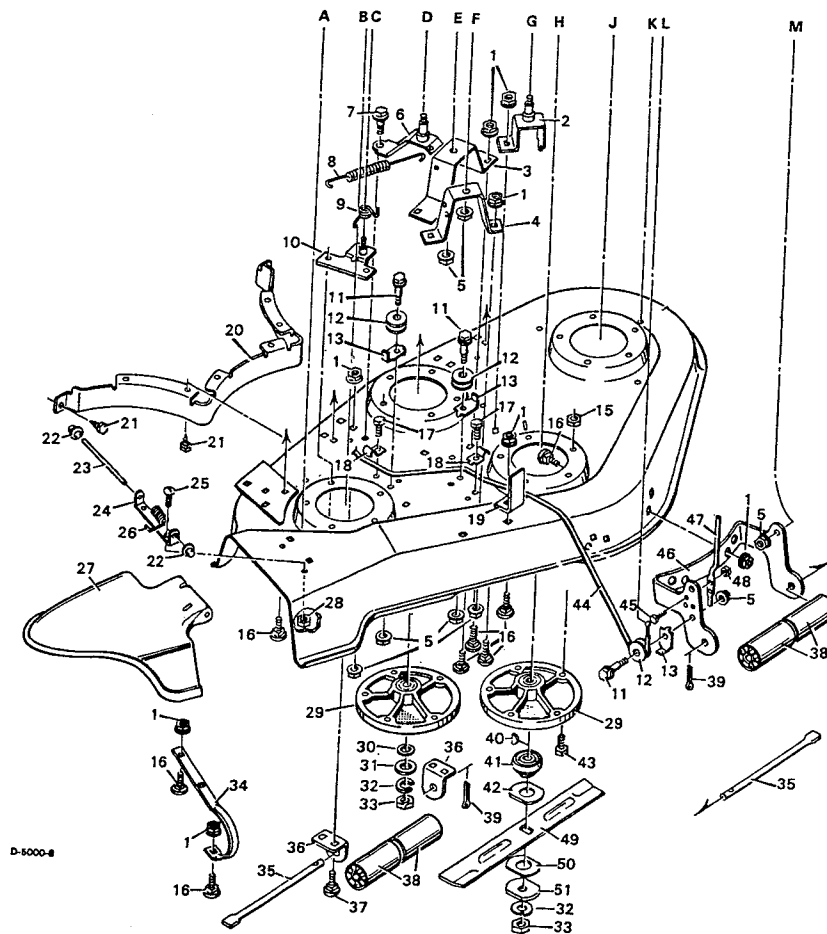
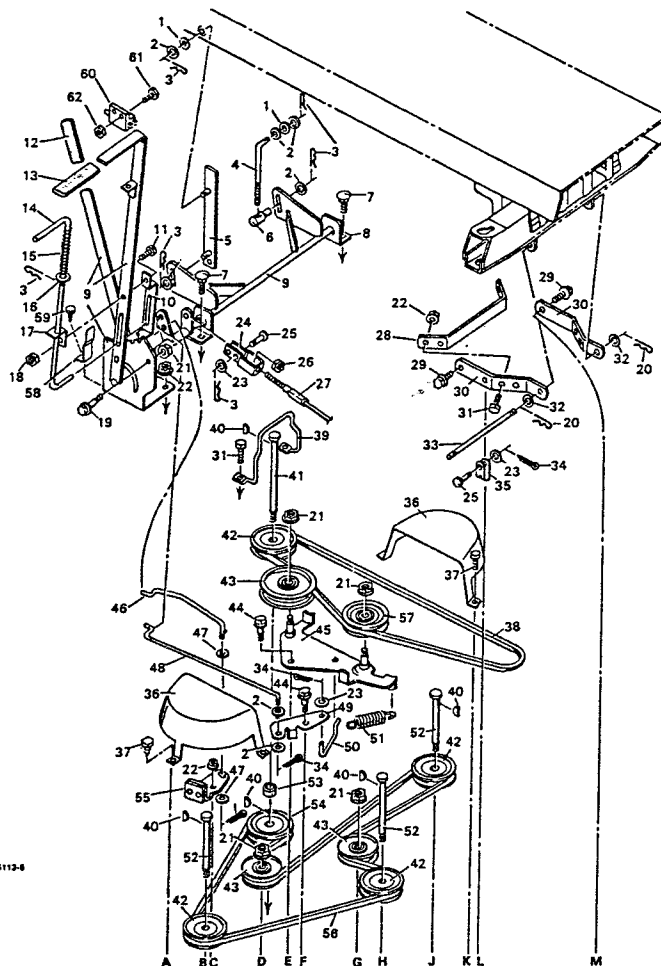


42" MOWER HOUSING ILLUSTRATION FOR 9-38219, 9-38211, 9-38222, 9-39004



KEY NO.	DESCRIPTION	PART NO.	KEY NO.	DESCRIPTION	PART NO.
1	Nut, Flange 5/16"-18	15x79	27	Deflector, Mower Housing	23224
2	Idler Assembly, Fixed	23177	28	Locknut, Hex No. 10-24	15x81
3	Support, Idler*	23240	29	Housing, Mandrel	90905
4	Support, Engagement Link	23241	30	Washer	17x140
5	Locknut, Flange 3/8"-16	15x84	31	Washer	17x141
6	Idler Assembly, Cross Drive	23178Z	32	Lockwasher	18x27
7	Bolt, Shoulder 3/8"-16x7/8"	9x15	33	Nut, Hex 1/2"-20	15x72
8	Spring, Cross Drive	165x60	34	Skid	24070
9	Spring, Blade Brake Torsion	166x29	35	Axle, Roller	23186Z
10	Bracket & Pin Assembly	91591Z	36	Support, Rear Roller	23208
11	Bolt, Shoulder 3/8"-16	9x13	37	Bolt, Carriage 5/16"-18x2-5/8"	2x53
12	Pulley, Nylon	23187	38	Roller	23203
13	Guide, Cable	23191Z	39	Pin, Cotter	30x49
15	Locknut, Flange 5/16"-18	15x88	40	Key, Woodruff No. 6	20062
16	Bolt, Carriage 5/16"-18x3/4"	2x64	41	Adapter, Blade	54211
17	Screw, Tap	26x214	42	Washer	24614Z
18	Guide, Cable	21953Z	43	Bolt, Hex 5/16"-18x3/4"	1x84
19	Deck Stop	23782	44	Cable, Lifter	24470
20	Baffle, Mower Housing	23207	45	Bolt, Hex 1/4"-20x7/8"	1x76
21	Screw	26x195	46	Support, Front Roller	24009
22	Cap, Push On	28x23	47	Guide, Curved Belt	24071Z
23	Rod, Deflector	23173Z	48	Locknut, Flange 1/4"-20	15x89
24	Bracket, Deflector	23172	49	Blade (3 required)	24458HT
25	Screw, Machine No. 10-24x5/8"	4x21	50	Washer	21673Z
26	Spring, Torsion	166x4	51	Washer, Blade	20663Z
			-	Housing Complete, Mower	403134

42" MOWER HOUSING ILLUSTRATION 9-38219, 9-38211, 9-38222, 9-39004



F-88718

KEY NO.	DESCRIPTION	PART NO.	KEY NO.	DESCRIPTION	PART NO.
1	Washer	108512	28	Brace, Hanger	24472
2	Washer	17x124	29	Bolt, Shoulder	9x14
3	Pin, Hair	31x6	30	Arm, Support	23185
4	Rod, Adjuster 7-5/16" Long	23824	31	Bolt, Hex 5/16"-18x1"	1x84
—	For 23 inch Diameter Rear Wheels		32	Washer	17x57Z
4a	Rod, Adjuster 6-1/4" Long	23275Z	33	Pin, Pull	21912Z
—	For 18 to 20 inch Diameter Rear Wheels		34	Pin, Cotter	30x20
5	Bracket, Right Hanger 6-3/8" Long**	23204Z	35	Clevis	24073
—	For 23 inch Diameter Rear Wheels		36	Cover, Pulley	23231
5a	Bracket, Right Hanger 5-1/2" Long**	23188Z	37	Screw, Tap	26x214
—	For 18 to 20 inch Diameter Rear Wheels		38	Belt, Blade Drive	37x40
6	Nut, Adjustable	21920	39	Guide, Belt	23751Z
7	Bolt, Carriage*	2x64	40	Key, Woodruff No. 6	20062
8	Support, Lifter*	23184	41	Mandrel	23180
9	Lifter Assembly*	91482	42	Pulley, Mandrel	20615
10	Bracket, Guide	23192	43	Pulley, Backside Idler	23238
11	Bolt, Hex 1/4"-20x7/8"	1x95	44	Bolt, Shoulder 3/8"-16x7/8"	9x12
12	Grip, Engagement Lever	91573	45	Idler Assembly, Blade Drive	23179
13	Latch, Lifter	23222	46	Rod, Brake	91593Z
14	Latch, Lifter	23194Z	47	Washer	17x46
15	Spring, Lifter	164x4	48	Rod Assembly, Link	23232Z
16	Washer	17x53	49	Link, Engagement	23226Z
17	Bracket, Lifter Guide	23193Z	50	Rod, Engagement Link	23228Z
18	Nut, Keps 1/4"-20	15x66	51	Spring, Blade Drive	165x43
19	Bolt, Shoulder 3/8"-16	9x13	52	Mandrel, Short	20616
20	Pin, Hair	31x6	53	Spacer	23213Z
21	Locknut, Flange 3/8"-16	15x84	54	Pulley, Mandrel	23739
22	Locknut, Flange 5/16"-18*	15x88	55	Pad Assembly, Brake	91592
23	Washer	17x47Z	56	Belt, Cross Drive	37x22
24	Clevis, Adjusting	24471Z	57	Pulley, Idler	23211
25	Pin, Clevis	29x93	58	Spring, Actuator	91480
26	Nut, Hex 5/16"-18	15x2	59	Screw	25x2
27	Cable, Lifter	24470	60	Switch, Limit	91299
			61	Screw, Machine #10-24x5/8"	3x141
			62	Nut, Hex #10-24	15x102

** NOTE: These parts are measured from weld pin to weld pin.