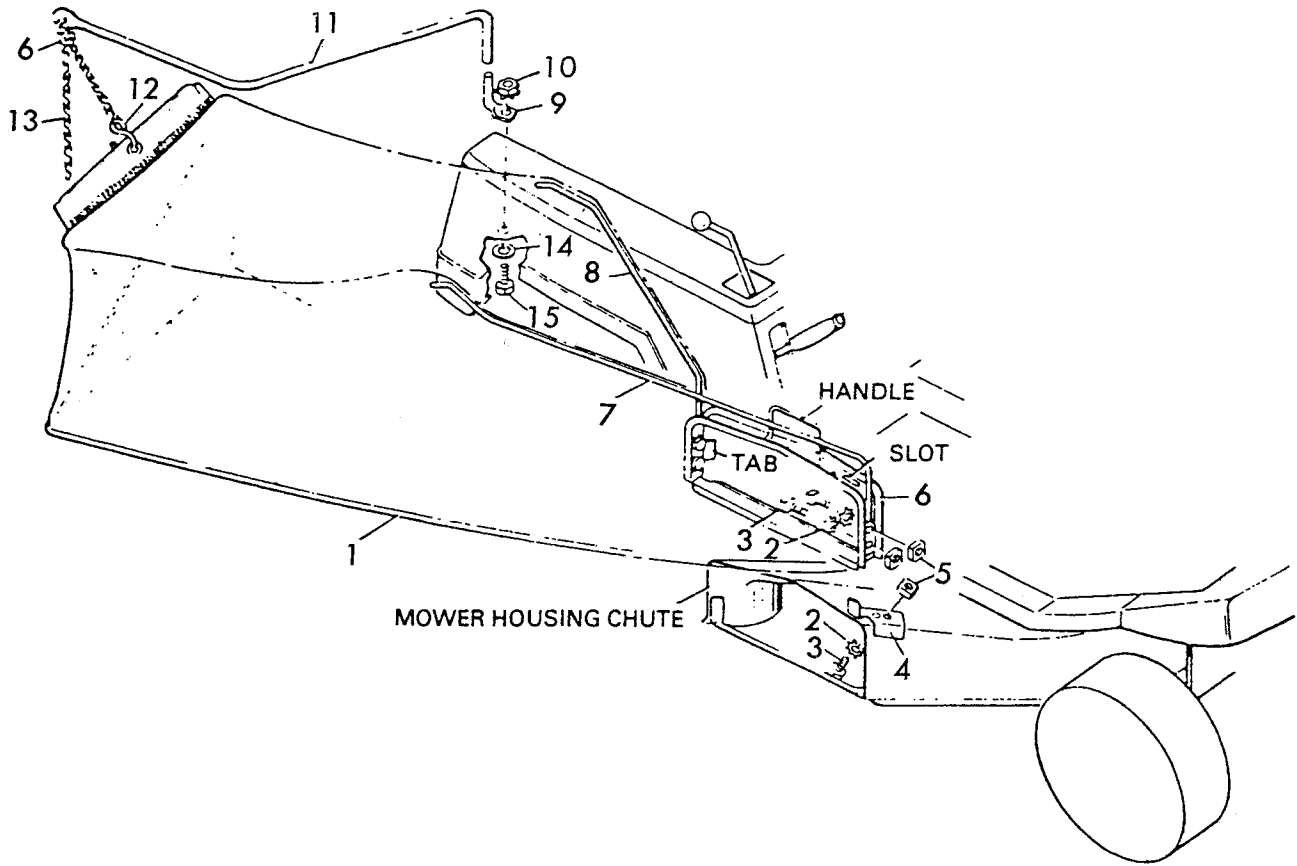


**GRASS CATCHER FOR  
25" RIDER ENGINE RIDER**

**MODEL NO. 9-24007**



| KEY NO. | PART NO. | DESCRIPTION         | QUANTITY |
|---------|----------|---------------------|----------|
| 1       | 407105   | Grass Bag           | 1        |
| 2       | 18x30    | Spring Lockwasher   | 5        |
| 3       | 3X131    | Screw               | 5        |
| 4       | 21395    | Deck Bracket        | 1        |
| 5       | 16X1     | Square Nuts         | 5        |
| 6       | 21391    | Chute Bracket       | 1        |
| 7       | 21392    | Support Rod (Long)  | 1        |
| 8       | 21393    | Support Rod (Short) | 1        |
| 9       | 23161    | Support Bracket     | 1        |
| 10      | 15X76    | Hex Nut             | 1        |
| 11      | 21394    | Tubular Support     | 1        |
| 12      | 21396    | "S" Hook (Large)    | 1        |
| 13      | 21398    | Chain               | 1        |
| 14      | 17X48    | Washer              | 1        |
| 15      | 1X91     | Hex Bolt            | 1        |
| 16      | 21397    | "S" Hook (Small)    | 1        |
| 17      | 20581    | Horn Guard          | 1        |
| 18      | 2X39     | Carriage Bolt       | 2        |
| 19      | 15X89    | Locknut             | 2        |
| *       | F-5665   | Owners Manual       |          |