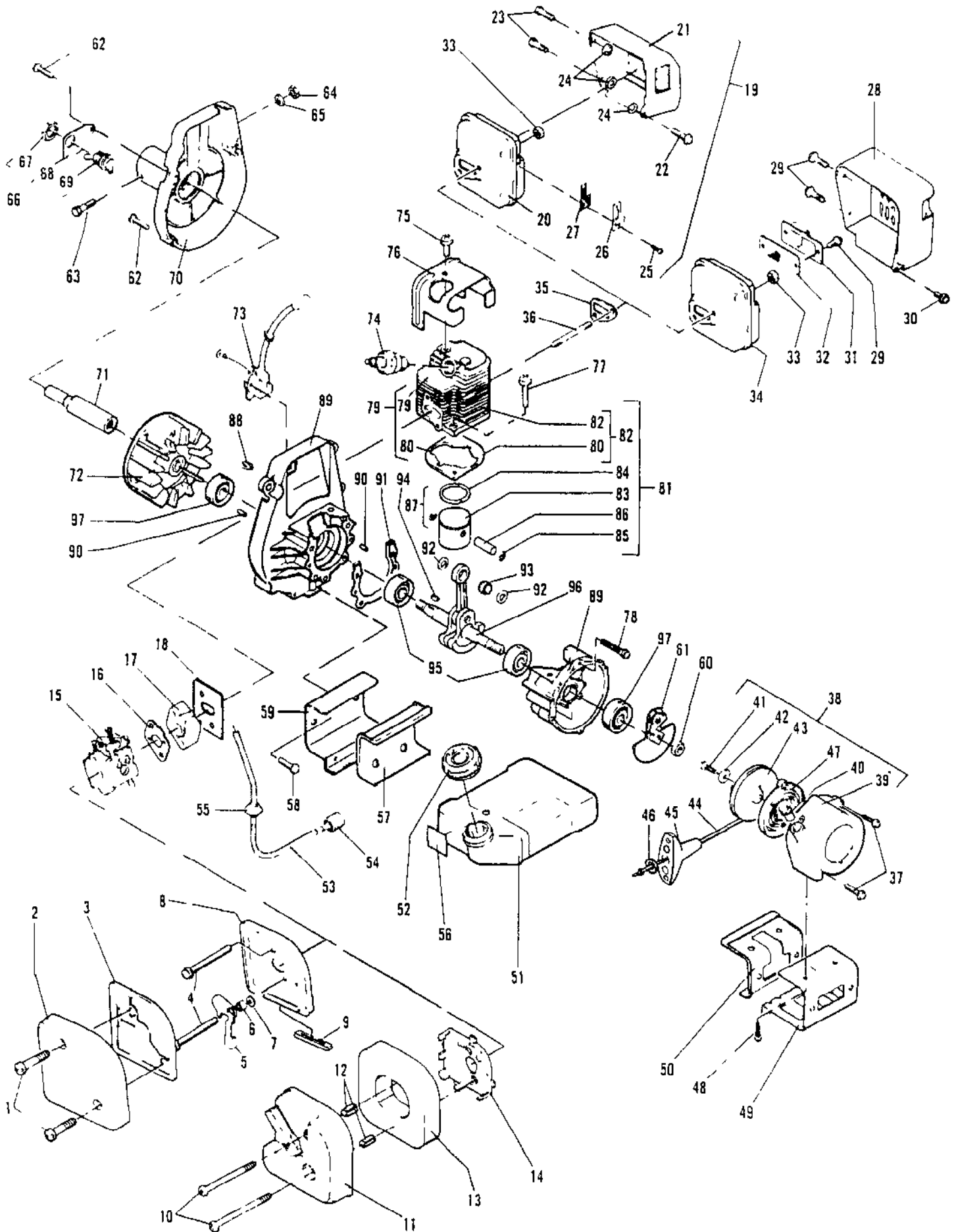


| Ref # | Part Number | Qty | Description |
|-------|-------------|-----|--|
| | 217149 | | Carburetor Assembly (ZAMA CIS-M9) |
| 1 | | 2 | Screw - Cover Not available separately. |
| 2 | | 1 | Cover - Diaphragm Not available separately. |
| 3 | | 1 | Gasket - Main Not available separately. |
| 4 | | 1 | Diaphragm - Main Not available separately. |
| 5 | | 1 | Screw - Lever Pin Not available separately. |
| 6 | | 1 | Pin - Lever Arm Not available separately. |
| 7 | | 1 | Disk Not available separately. |
| 8 | | 1 | Lever - Pin Arm. Not available separately. |
| 9 | | 1 | Spring - Lever Pin Not available separately. |
| 10 | | 1 | Valve - Needle Arm Not available separately. |
| 11 | | 1 | Plug - Welch Not available separately. |
| 12 | | 1 | Needle - Main Adjustment Not available separately. |
| 13 | | 1 | Spring - Adjustment Needle Not available separately. |
| 14 | | 1 | Screw - Fuel Pump Cover Not available separately. |
| 15 | | 1 | Cover - Fuel Pump Not available separately. |
| 16 | | 1 | Gasket - Fuel Pump Not available separately. |
| 17 | | 1 | Diaphragm - Fuel Pump Not available separately. |
| 18 | | 1 | Strainer Not available separately. |

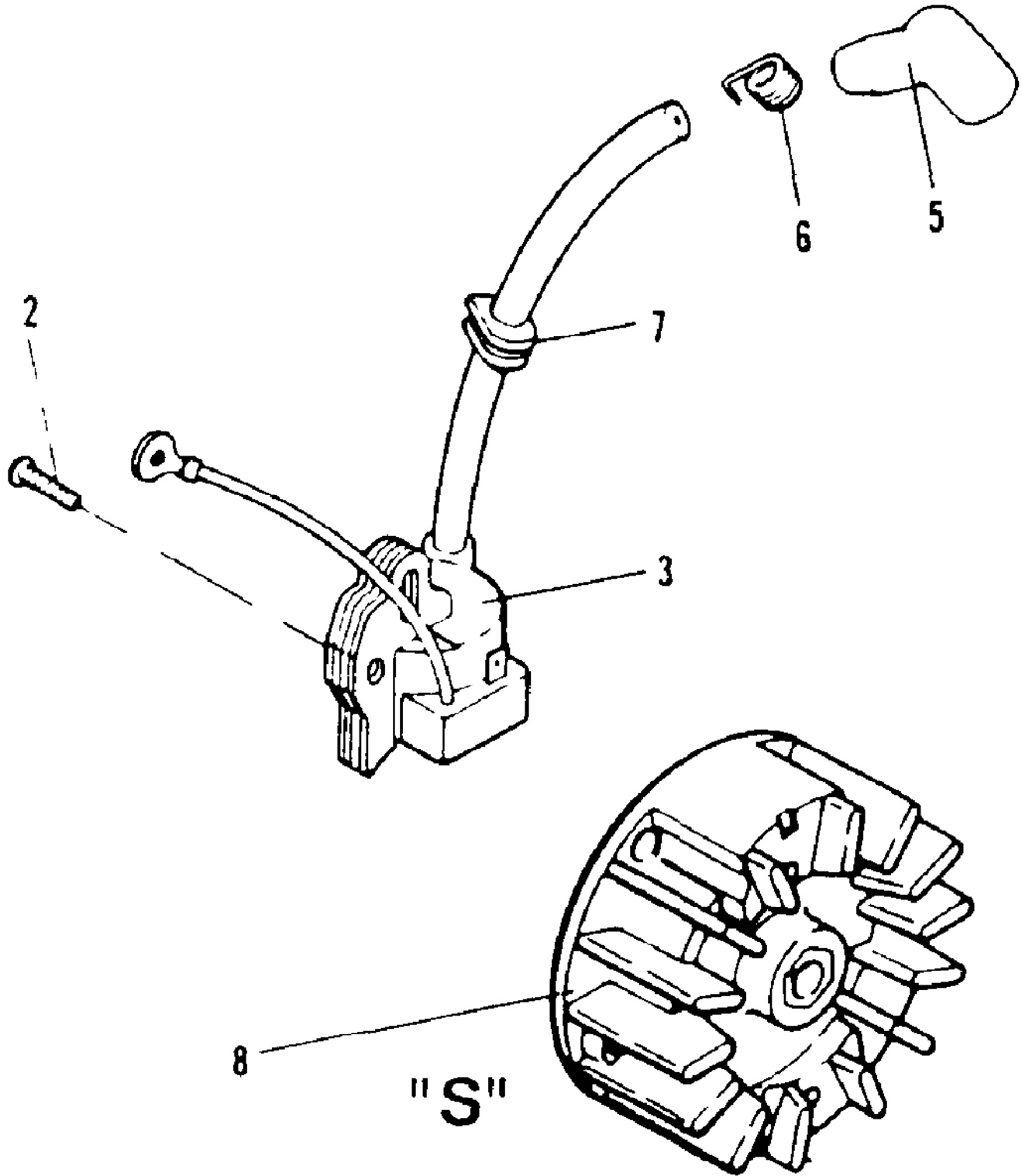


| Ref # | Part Number | Qty | Description |
|-------|-------------|-----|---|
| 1 | 217669 | 2 | Screw - M4 x 25 (15-25 in. lb. torque) |
| 2 | 215988 | 1 | Cover - Air Filter |
| 3 | 217376 | 1 | Filter - Air |
| 4 | 216903 | 2 | Screw - M5 x 55 (18-25 in. lb. torque) |
| 5 | 215991 | 1 | Shutter - Choke |
| 6 | 215993 | 1 | Spacer |
| 7 | 216591 | 1 | Washer - M5 Flat |
| 8 | 216108 | 1 | Kit - Air Box/Grommet |
| 9 | 215992 | 1 | Grommet This is a new part number, different from the one listed in the previous IPL for this unit. |
| 10 | 219078 | 2 | Screw - M5 X 69 Sems This is a new part number, different from the one listed in the previous IPL for this unit. (18-25 in. lb. torque) |
| 11 | 223196 | 1 | Cover Asy - Choke This is a new part number, different from the one listed in the previous IPL for this unit. |
| 12 | 219023 | 2 | Insert - A/C Cover This is a new part number, different from the one listed in the previous IPL for this unit. |
| 13 | 219145 | 1 | Filter - Air (Foam) This is a new part number, different from the one listed in the previous IPL for this unit. |
| 14 | 222758 | 1 | Box - Air This is a new part number, different from the one listed in the previous IPL for this unit. |
| 15 | | 1 | Carburetor Assembly See "Carburetor Assembly" illustration and parts list. |
| 16 | 218933 | 1 | Gasket - Carburetor This is a new part number, different from the one listed in the previous IPL for this unit. |
| 17 | 219070 | 1 | Insulator - Carburetor This is a new part number, different from the one listed in the previous IPL for this unit. |
| 18 | 216575 | 1 | Gasket/Shield Insulator |
| 19 | 219963 | 1 | Kit - Muffler/Shield This is a new part number, different from the one listed in the previous IPL for this unit. |
| 20 | 219152 | 1 | Muffler Assembly This is a new part number, different from the one listed in the previous IPL for this unit. |
| 21 | 218962 | 1 | Shield - Muffler This is a new part number, different from the one listed in the previous IPL for this unit. |
| 22 | 217669 | 1 | Screw - M4 x 25 This is a new part number, different from the one listed in the previous IPL for this unit. (12-16 in. lb. torque) |
| 23 | 219508 | 2 | Screw - M4 x 17 This is a new part number, different from the one listed in the previous IPL for this unit. (10-15 in. lb. torque) |
| 24 | 219079 | 3 | Spacer - Muffler Shield This is a new part number, different from the one listed in the previous IPL for this unit. |

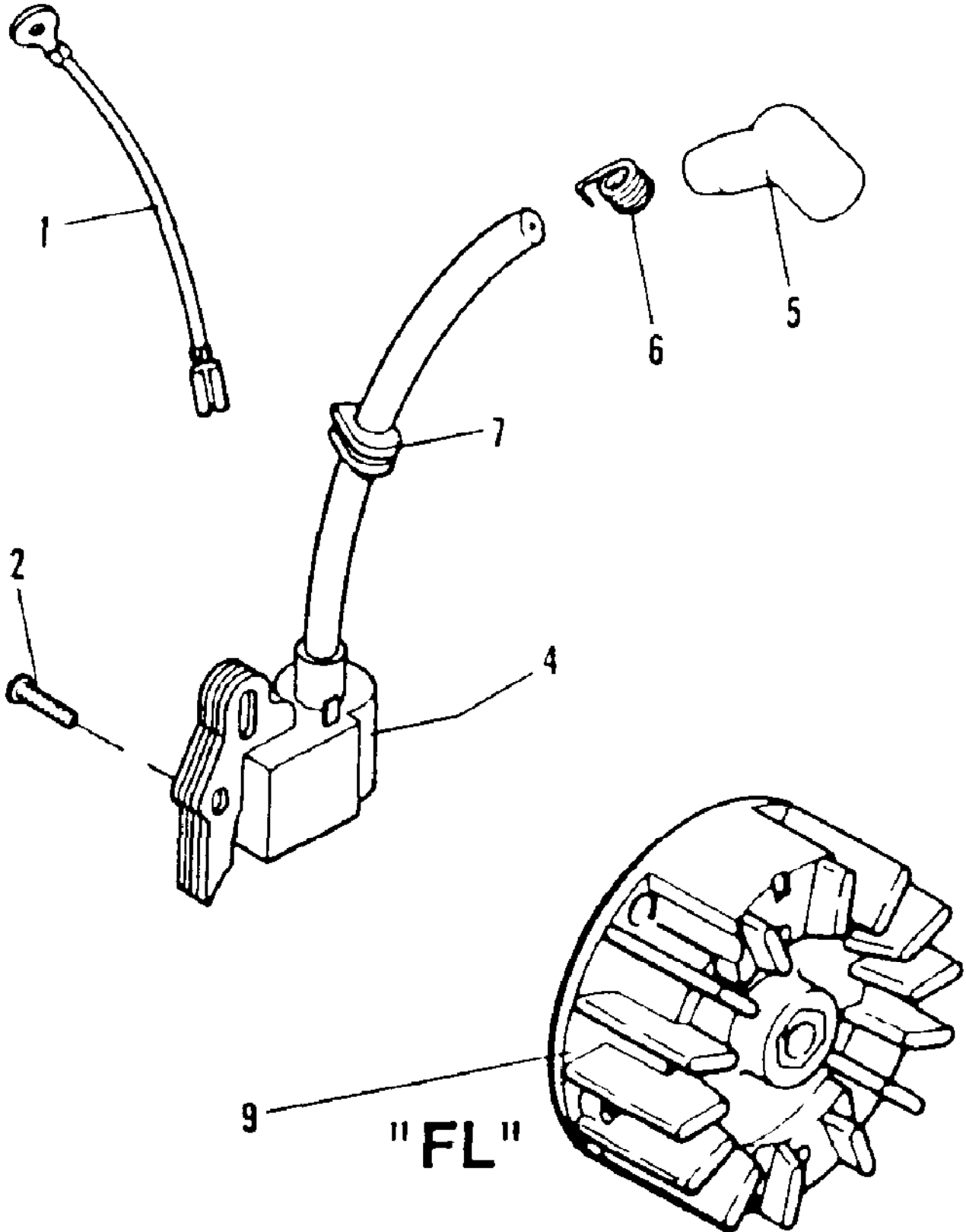
| Ref # | Part Number | Qty | Description |
|-------|-------------|-----|--|
| 25 | 219194 | 2 | Screw - 5-20 x .438 This is a new part number, different from the one listed in the previous IPL for this unit. (12-16 in. lb. torque) |
| 26 | 219150 | 1 | Cover - Spark Arrestor This is a new part number, different from the one listed in the previous IPL for this unit. |
| 27 | 219149 | 1 | Screen - Spark Arrestor This is a new part number, different from the one listed in the previous IPL for this unit. |
| 28 | 215753 | 1 | Shield/Muffler |
| 29 | 216025 | 3 | Screw - M4 x 8 (25-30 in. lb. torque) |
| 30 | 213177 | 1 | Screw - M4.2 x 18.5 (12-16 in. lb. torque) |
| 31 | 217318 | 1 | Cover - Screen This is a new part number, different from the one listed in the previous IPL for this unit. |
| 32 | 215516 | 1 | Screen - Spark Arrestor |
| 33 | 222247 | 2 | Nut - Stud This is a new part number, different from the one listed in the previous IPL for this unit. (41-50 in. lb. torque) |
| 34 | 215506 | 1 | Muffler |
| 35 | 215515 | 1 | Gasket - Muffler |
| 36 | 222480 | 2 | Stud - Muffler This is a new part number, different from the one listed in the previous IPL for this unit. |
| 37 | 213177 | 2 | Screw - M4.2 x 18.5 (12-16 in. lb. torque) |
| 38 | 218490 | 1 | Starter Assembly This is a new part number, different from the one listed in the previous IPL for this unit. |
| 39 | 217711 | 1 | Housing - Starter This is a new part number, different from the one listed in the previous IPL for this unit. |
| 40 | 217030 | 1 | Guide - Rope |
| 41 | 215874 | 1 | Screw - M4 x 9.5 (18-20 in. lb. torque) |
| 42 | 216590 | 1 | Washer - M4 Flat |
| 43 | 216092 | 1 | Drum/Rope Asy |
| 44 | 216093 | 1 | Rope - Starter (36") |
| 45 | 216792 | 1 | Handle - Starter |
| 46 | 218941 | 1 | Washer - Nylon This is a new part number, different from the one listed in the previous IPL for this unit. |
| 47 | 217482 | 1 | Spring - Starter This is a new part number, different from the one listed in the previous IPL for this unit. |
| 48 | 213177 | 2 | Screw - M4.2 x 18.5 (12-16 in. lb. torque) |
| 49 | 215501 | 1 | Bracket - Back |
| 50 | 215504 | 1 | Cushion - Fuel Tank |
| 51 | 217021 | 1 | Fuel Tank Assembly |
| 52 | 222347-01 | 1 | Cap - Fuel This is a new part number, different from the one listed in the previous IPL for this unit. |
| 53 | 217264 | 1 | Hose - Fuel |
| 54 | 216985 | 1 | Pickup - Fuel |
| 55 | 215495 | 1 | Grommet |
| 56 | 217383 | 1 | Decal - 40:1 |
| 57 | 215500 | 1 | Cushion - Bracket |
| 58 | 216025 | 2 | Screw - M4 x 8 (25-30 in. lb. torque) |
| 59 | 217455 | 1 | Bracket - Tank/Shield |

| Ref # | Part Number | Qty | Description |
|-------|-------------|-----|---|
| 60 | 216583 | 1 | Nut - M8 Hex (149-160 in. lb. torque) |
| 61 | 215525 | 1 | Ratchet Assembly |
| 62 | 213177 | 4 | Screw - M4.2 x 18.5 (12-16 in. lb. torque) |
| 63 | 217158 | 1 | Screw - M5 x 35 |
| 64 | 217159 | 1 | Nut - M5 Hex |
| 65 | 216591 | 1 | Washer - M5 Flat |
| 66 | 219279 | 1 | Plate Asy - Toggle Switch This is a new part number, different from the one listed in the previous IPL for this unit. |
| 67 | 219917 | 1 | Nut - 15/32 |
| 68 | 217381 | 1 | Plate - Switch |
| 69 | 217648 | 1 | Switch - Toggle |
| 70 | 217139 | 1 | Housing - Fan |
| 71 | 217151 | 1 | Coupling |
| 72 | | 1 | Flywheel Assemblies See "Flywheel & Ignition Assemblies" illustration and parts list. |
| 73 | | 1 | Ignition Assemblies See "Flywheel & Ignition Assemblies" illustration and parts list. |
| 74 | 62345 | 1 | Plug - Spark DJ8J (Champion) This is a new part number, different from the one listed in the previous IPL for this unit. (105-130 in. lb. torque) |
| | 92879 | 1 | Plug - Spark RDJ8 (Champion) This is a new part number, different from the one listed in the previous IPL for this unit. (105-130 in. lb. torque) |
| 75 | 213178 | 1 | Screw - M5 x 8.5 (15-25 in. lb. torque) |
| 76 | 215540 | 1 | Cover - Cylinder |
| 77 | 217320 | 2 | Screw - M6 x 18 (70-80 in. lb. torque) |
| 78 | 213179 | 4 | Screw - M5 x 28.5 (35-40 in. lb. torque) |
| 79 | 219081 | 1 | Kit - Cylinder Gasket |
| 80 | 215542 | 1 | Gasket - Cylinder |
| 81 | 222594 | 1 | Kit - Cylinder/Piston This is a new part number, different from the one listed in the previous IPL for this unit. |
| 82 | 219084 | 1 | Kit - Cyl (Plated)/Gasket This is a new part number, different from the one listed in the previous IPL for this unit. |
| 80 | 215542 | 1 | Gasket |
| 83 | 218264 | 1 | Piston (Alum) This is a new part number, different from the one listed in the previous IPL for this unit. |
| 84 | 217475 | 1 | Ring - Piston |
| 85 | 111026 | 2 | Ring - Retaining This is a new part number, different from the one listed in the previous IPL for this unit. |
| 86 | 218275 | 1 | Pin - Wrist This is a new part number, different from the one listed in the previous IPL for this unit. |
| 87 | 219083 | 1 | Kit - Piston (Chrome) This is a new part number, different from the one listed in the previous IPL for this unit. |
| 84 | 217475 | 1 | Ring - Piston |
| 85 | 216343 | 2 | Ring - Retaining |
| 86 | 215551 | 1 | Pin - Wrist |

| Ref # | Part Number | Qty | Description |
|-------|-------------|-----|---|
| 88 | 215541 | 1 | Grommet |
| 89 | 217373 | 1 | Crankcase Assembly |
| | 218185 | 1 | Crankcase Assembly This is a new part number, different from the one listed in the previous IPL for this unit. |
| 90 | 213191 | 4 | Pin |
| 91 | 215545 | 1 | Gasket - C'Case |
| 92 | 213196 | 2 | Washer |
| 93 | 213195 | 1 | Bearing - Needle |
| | 110984 | 2 | Bearing - Needle This is a new part number, different from the one listed in the previous IPL for this unit. |
| 94 | 102164 | 1 | Key - Flywheel |
| 95 | 216143 | 2 | Bearing - Ball |
| | 213282 | 2 | Bearing - Roller This is a new part number, different from the one listed in the previous IPL for this unit. |
| 96 | 216444 | 1 | Crankshaft Assembly |
| | 218106 | 1 | Crankshaft Assembly This is a new part number, different from the one listed in the previous IPL for this unit. |
| 97 | 83859 | 2 | Seal - Oil |
| | 216500 | 2 | Seal - Oil |



| Ref # | Part Number | Qty | Description |
|-------|-------------|-----|--|
| 1 | 219383 | 1 | Wire - Switch |
| 2 | 216022 | 6 | Screw - M4 x 23.4 (13-16 in. lb. torque) |
| 3 | 219386 | 1 | Ignition (Black) |
| 4 | 219848 | 1 | Ignition (Cream) |
| 5 | 95266 | 1 | Boot - Spark Plug |
| 6 | 102556 | 1 | Connector |
| 7 | 215533-01 | 1 | Grommet |
| 8 | 222430 | 1 | Flywheel (Stamped "S") |
| 9 | 222308 | 1 | Flywheel (Stamped "FL") |

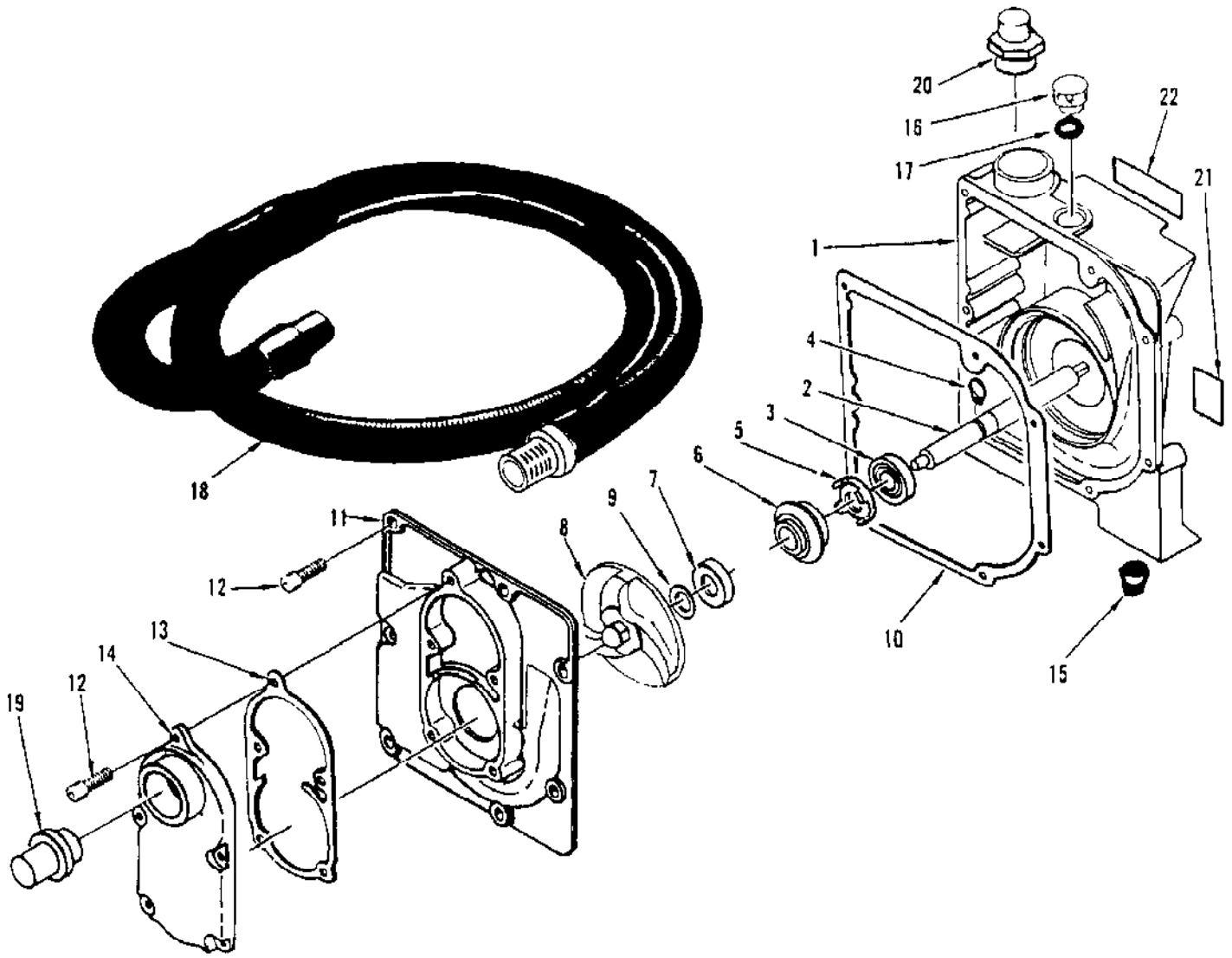


| Ref # | Part Number | Qty | Description |
|-------|-------------|-----|--------------------------|
| | 219958 | 1 | Kit - Flywheel/Ignition |
| 1 | 219383 | 1 | Wire - Switch |
| 2 | | | UNKNOWN |
| 9 | 222308 | 1 | Flywheel Assembly ("FL") |
| 4 | 219848 | 1 | Ignition (Cream) |
| 5 | 95266 | 1 | Boot - Spark Plug |
| 6 | 102556 | 1 | Connector - Spark |
| 7 | 215533-01 | 1 | Grommet |

No
Diagram
Available

Parts List
Only

| Ref # | Part Number | Qty | Description |
|-------|-------------|-----|----------------------------|
| | 215439 | | Tool - Piston Driving |
| | 215443 | | Plate - Pressure Test |
| | 215444 | | Gasket - Intake Plate |
| | 215445 | | Gasket - Exhaust |
| | 222785 | | Torx Drive T-25 (Cylinder) |



| Ref # | Part Number | Qty | Description |
|-------|-------------|-----|---|
| 1 | 217560 | 1 | Housing - Anodized |
| | 217559 | 1 | Housing - Non-Anodized This is a new part number, different from the one listed in the previous IPL for this unit. Factory stocked. Slow moving part. |
| 2 | 217129 | 1 | Shaft |
| | 217128 | 1 | Shaft This is a new part number, different from the one listed in the previous IPL for this unit. Factory stocked. Slow moving part. |
| 3 | 213156 | 1 | Bearing - Ball |
| 4 | 213186 | 1 | Ring - Retaining |
| 5 | 217134 | 1 | Spacer |
| 6 | 217135 | 1 | Seal |
| 7 | 217137 | 1 | Seal - Ring Assembly |
| 8 | 217561 | 1 | Impeller - Anodized |
| | 217130 | 1 | Impeller - Non-Anodized This is a new part number, different from the one listed in the previous IPL for this unit. Factory stocked. Slow moving part. Used on 11 and 12 lever - 02, 03 and 06 units only. |
| 9 | 217138 | 2 | Shim |
| 10 | 217141 | 1 | Gasket - Housing |
| 11 | 217562 | 1 | Centerpiece - Anodized |
| | 217143 | 1 | Centerpiece - Non-Anodized This is a new part number, different from the one listed in the previous IPL for this unit. Factory stocked. Slow moving part. Used on 11 and 12 lever - 02, 03 and 06 units only. |
| 12 | 217523 | 12 | Screw - M6 x 18.40 |
| | 217320 | 12 | Screw - M6 x 18 Torx This is a new part number, different from the one listed in the previous IPL for this unit. Distributor stocked. Medium to slow moving part. Used on 11 and 12 lever - 02, 03 and 06 units only. |
| 13 | 217146 | 1 | Gasket - Inlet Cover |
| 14 | 217563 | 1 | Cover - Anodized |
| | 217148 | 1 | Cover - Non-Anodized This is a new part number, different from the one listed in the previous IPL for this unit. Factory stocked. Slow moving part. |
| 15 | 89403 | 2 | Bumper - Lower |
| 16 | 217150 | 1 | Plug - Pipe |
| 17 | 217152 | 1 | Ring - "O" |
| 18 | 217874 | 1 | Kit - Hose/Strainer |
| | 217540 | 1 | Hose |
| 19 | 217144 | 1 | Insert - Hose |
| 20 | 217132 | 1 | Adaptor |
| 21 | 217985 | 1 | Decal - Caution (AM) |
| 22 | 217986 | 1 | Decal - Caution (PP) |