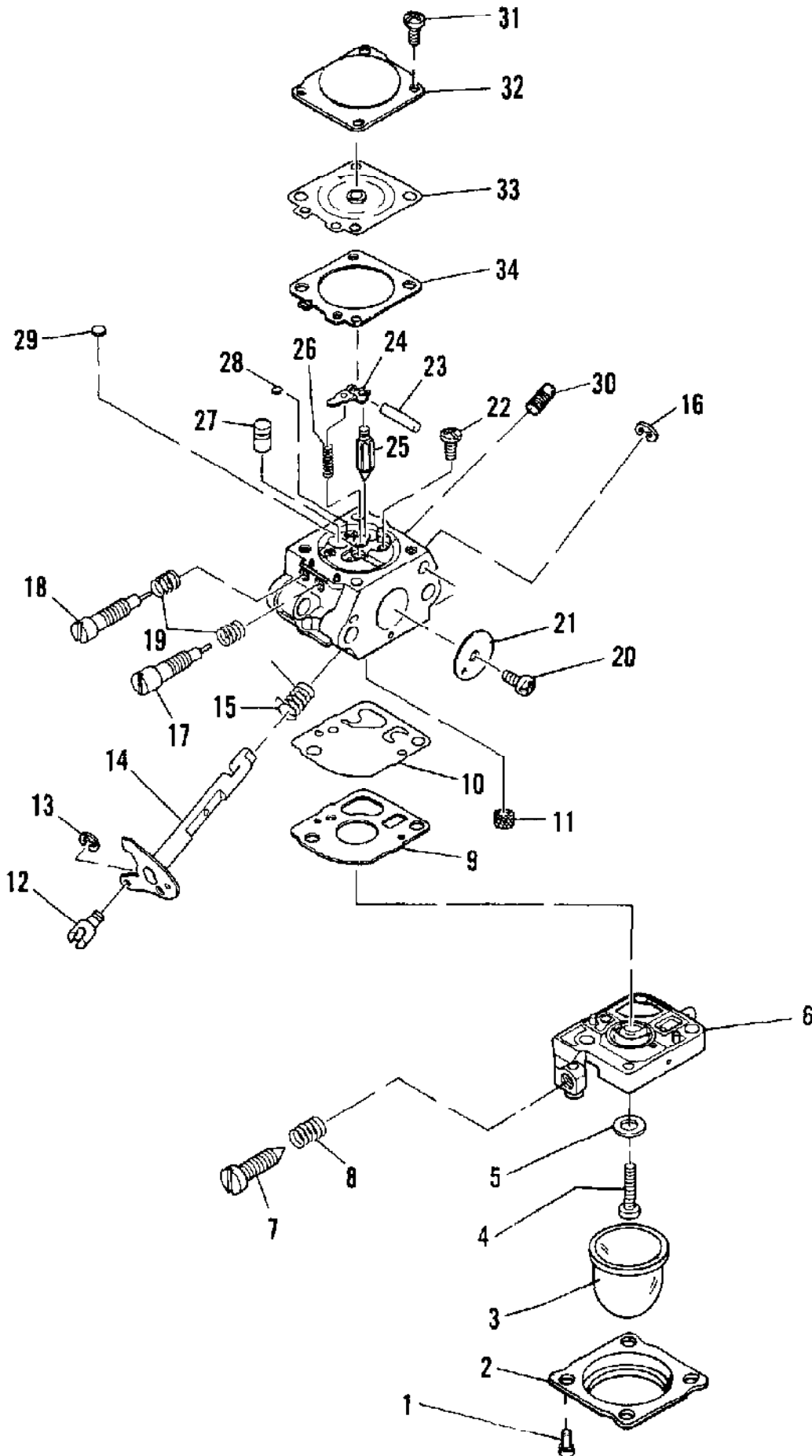
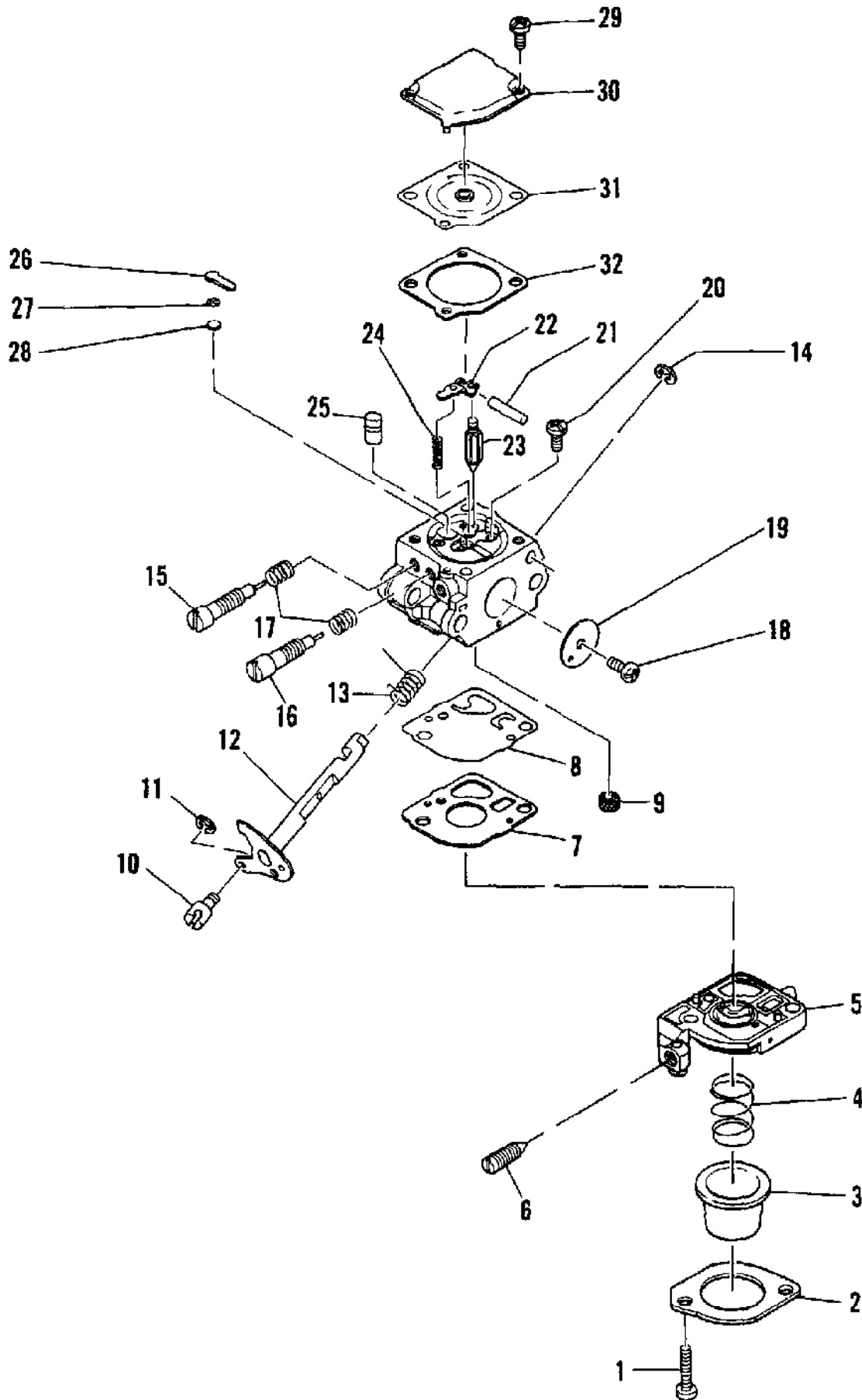


## Debris Shield/String Head Cutter/Blade Guard/Blade Assemblies

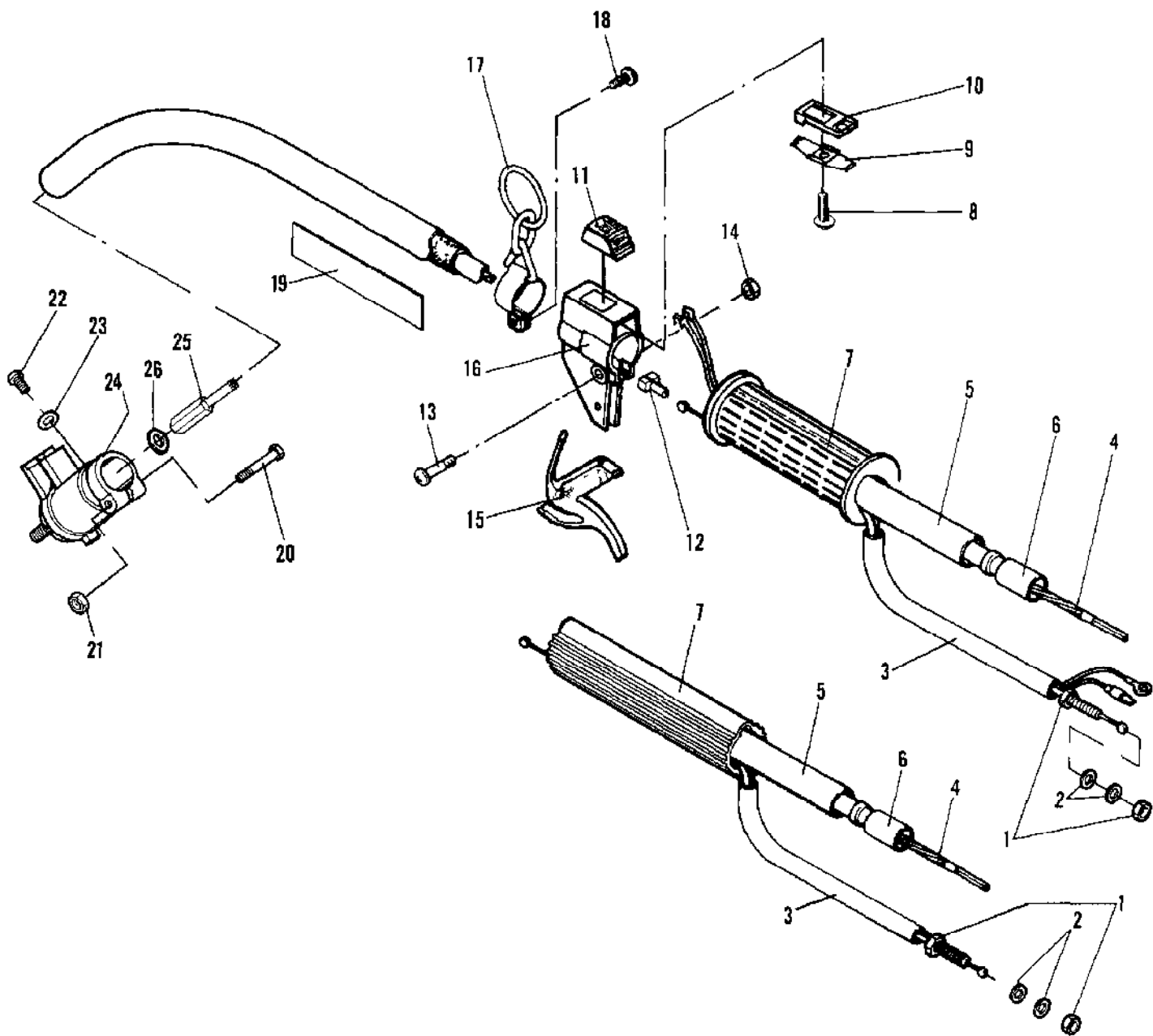
| Ref # | Part Number | Qty | Description   |
|-------|-------------|-----|---|
| 1     | 217869      | 1   | Kit - Shield Grass                                      |
| 2     | 215314      | 1   | Shield - Grass  |
| 3     | 216595      | 1   | Screw - Hex M6 x 50                                     |
| 4     | 215871      | 1   | Nut - Hex M6 x 1 (18 - 26 in. lb. torque)               |
| 5     | 217936      | 2   | Screw - 10-25 x.75 TORX                                 |
| 6     | 110582      | 2   | Washer - Flat   |
| 7     | 218315      | 2   | Nut - Hex   |
| 8     | 103174      | 2   | Washer - Lock   |
| 9     | 216587      | 1   | Knife   |
| 10    | 218214      | 1   | Collar (String Head Use Only)                           |
| 11    | 219784      | 1   | Head Asy - String (.095)                                |
| 12    | 219765      | 1   | Cover   |
| 13    | 219764      | 1   | Button  |
| 14    | 219786      | 1   | Spool With Line (.095)                                  |
| 15    |             |     | Line Replacement See "Specifications/Tools" parts list. |
| 16    | 219761      | 1   | Spring  |
| 17    | 219760      | 1   | Nut   |
| 18    | 219758      | 1   | Housing   |
| 19    | 219759      | 1   | Eyelet  |
| 20    | 219757      | 1   | Bolt-Shaft  |
| 21    | 222315      | 1   | String Head Assembly (.095)                             |
| 22    | 222494      | 1   | Screw - Hex Head Slotted                                |
| 23    | 222409      | 1   | Spool/Line Assembly (.095)                              |
| 24    |             |     | Line Replacement See "Specifications/Tools" parts list. |
| 25    | 219826      | 1   | Spring  |
| 26    | 222403      | 1   | Ring - Retaining  |
| 27    | 222401      | 1   | Washer - Plain  |
| 28    | 222410      | 1   | Housing/Eyelet Assembly                                 |
| 29    | 222400      | 1   | Spindle   |
| 30    | 218200      | 1   | Kit - Blade Guard                                       |
| 31    | 218159      | 1   | Pin - Cotter  |
| 32    | 218330      | 1   | Nut - Blade Retaining (260 inch pounds torque)          |
| 33    | 218094      | 1   | Collar (For Use With Blade)                             |
| 34    | 217935      | 1   | Screw - 10-24 x .50 Torx (18 - 26 inch pounds torque)   |
| 35    | 217936      | 2   | Screw - 10-24 x .75 Torx (18 - 26 inch pounds torque)   |
| 36    | 218165      | 2   | Clamp - Guard   |
| 37    | 110582      | 3   | Washer - Flat   |
| 38    | 103174      | 3   | Washer - Lock   |
| 39    | 218315      | 2   | Nut   |
| 40    | 218329      | 1   | Guard - Blade (Right Hand)                              |
| 41    | 218075      | 1   | Flange (Brush Cutter Only)                              |
| 42    | 216514-01   | 1   | Blade - Brush 80 Tooth                                  |
| 43    | 218158      | 1   | Harness   |



| Ref # | Part Number | Qty | Description  |
|-------|-------------|-----|--|
|       | 222317      | 1   | Carburetor Asy - WT-91                               |
| 1     |             | 4   | Screw - Pump Cover Not available separately.         |
| 2     |             | 1   | Retainer - Cover Not available separately.           |
| 3     | 223077      | 1   | Primer   |
| 4     |             | 1   | Screw Not available separately.                      |
| 5     |             | 1   | Washer Not available separately.                     |
| 6     | 223281      | 1   | Base Asy - Primer                                    |
| 7     |             | 1   | Screw - Idle Adj. Not available separately.          |
| 8     |             | 1   | Spring Not available separately.                     |
| 9     |             | 1   | Gasket - Fuel Pump Not available separately.         |
| 10    |             | 1   | Diaphragm - Fuel Pump Not available separately.      |
| 11    |             | 1   | Screen Not available separately.                     |
| 12    |             | 1   | Post Not available separately.                       |
| 13    |             | 1   | Ring - "E" Not available separately.                 |
| 14    |             | 1   | Shaft Asy-Throttle Not available separately.         |
| 15    |             | 1   | Spring Not available separately.                     |
| 16    |             | 1   | Ring - "E" Not available separately.                 |
| 17    |             | 1   | Screw - Low Speed Adj Not available separately.      |
| 18    |             | 1   | Screw - High Speed Adj Not available separately.     |
| 19    |             | 2   | Spring Not available separately.                     |
| 20    |             | 1   | Screw - Throttle Valve Not available separately.     |
| 21    |             | 1   | Valve - Throttle Not available separately.           |
| 22    |             | 1   | Screw - Pin Retaining Not available separately.      |
| 23    |             | 1   | Pin - Metering Lever Not available separately.       |
| 24    |             | 1   | Lever - Metering Not available separately.           |
| 25    |             | 1   | Valve - Inlet Not available separately.              |
| 26    |             | 1   | Spring - Metering Lever Not available separately.    |
| 27    |             | 1   | Nozzle Asy - Check Valve Not available separately.   |
| 28    |             | 1   | Plug - Welch Not available separately.               |
| 29    |             | 1   | Plug - Welch Not available separately.               |
| 30    |             | 1   | Governor - Check Valve Not available separately.     |
| 31    |             | 4   | Screw - Metering Cover Not available separately.     |
| 32    |             | 1   | Cover - Metering Diaphragm Not available separately. |
| 33    |             | 1   | Diaphragm Asy - Metering Not available separately.   |
| 34    |             | 1   | Gasket - Metering Cover Not available separately.    |
|       | 222755      |     | Major Kit  |
|       | 222756      |     | Gasket/Diaphragm                                     |

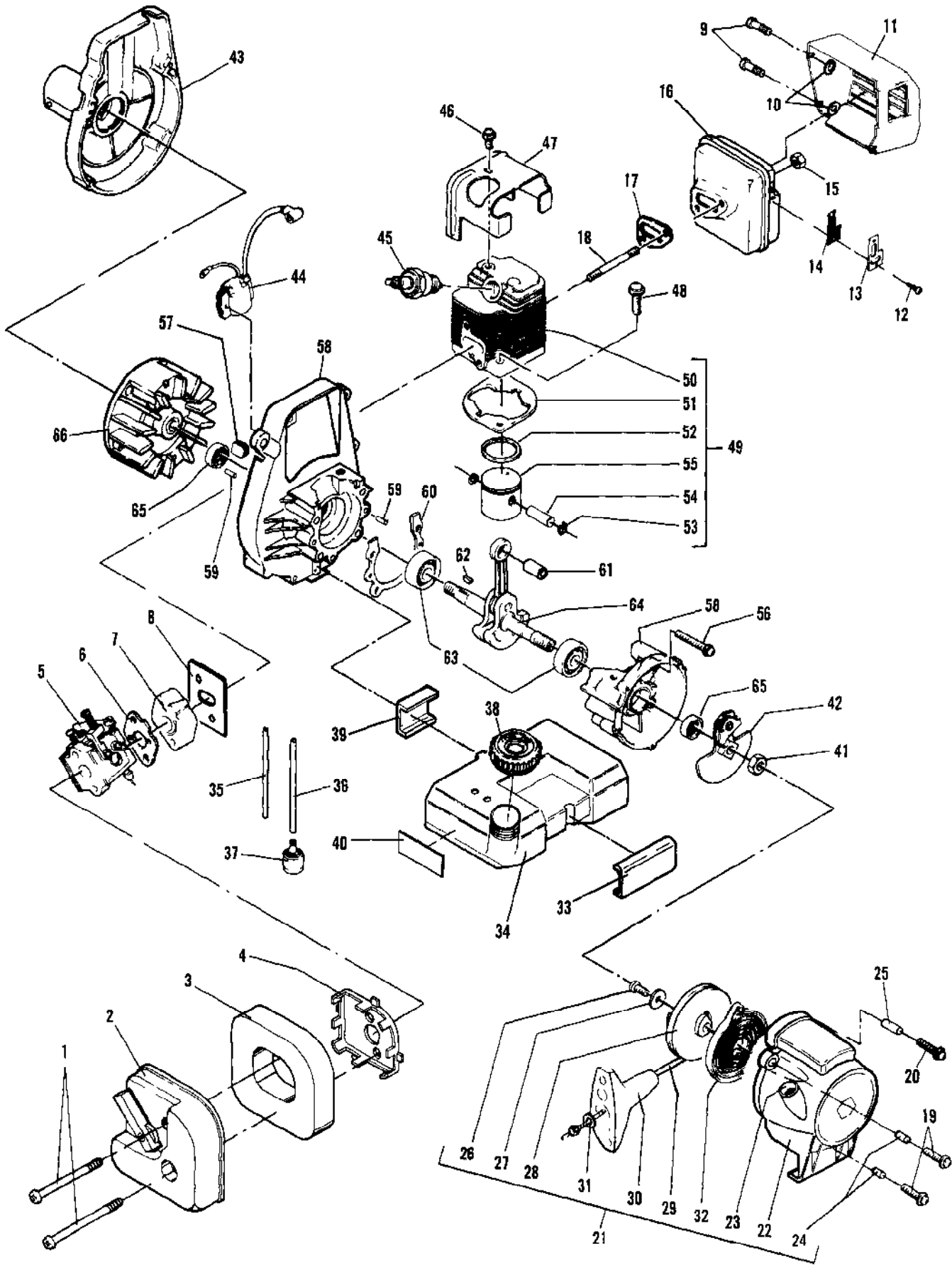


| Ref # | Part Number | Qty | Description  |
|-------|-------------|-----|--|
|       | 222209      |     | Carburetor - Zama M16                              |
| 1     |             | 2   | Screw - Pump Cover Not available separately.       |
| 2     |             | 1   | Retainer - Primer Not available separately.        |
| 3     | 223061      | 1   | Kit - Bulb Primer                                  |
| 4     |             | 1   | Spring - Primer Not available separately.          |
| 5     | 223282      | 1   | Base Asy - Primer                                  |
| 6     |             | 1   | Screw - Idle Adjustment Not available separately.  |
| 7     |             | 1   | Gasket - Pump Not available separately.            |
| 8     |             | 1   | Diaphragm - Pump Not available separately.         |
| 9     |             | 1   | Strainer Not available separately.                 |
| 10    |             | 1   | Post Not available separately.                     |
| 11    |             | 1   | Ring - "E" Not available separately.               |
| 12    |             | 1   | Shaft Asy - Throttle Not available separately.     |
| 13    |             | 1   | Spring - Throttle Return Not available separately. |
| 14    |             | 1   | Ring - "E" Not available separately.               |
| 15    |             | 1   | Screw - High Speed Adj. Not available separately.  |
| 16    |             | 1   | Screw - Low Speed Adj. Not available separately.   |
| 17    |             | 2   | Spring - Adj. Screws Not available separately.     |
| 18    |             | 1   | Screw - Throttle Valve Not available separately.   |
| 19    |             | 1   | Valve - Throttle Not available separately.         |
| 20    |             | 1   | Screw - Pin Retaining Not available separately.    |
| 21    |             | 1   | Pin - Metering Lever Not available separately.     |
| 22    |             | 1   | Lever - Metering Not available separately.         |
| 23    |             | 1   | Valve - Inlet Not available separately.            |
| 24    |             | 1   | Spring - Metering Lever Not available separately.  |
| 25    |             | 1   | Nozzle Asy - Check Valve Not available separately. |
| 26    |             | 1   | Plug - Welch Not available separately.             |
| 27    |             | 1   | Retainer - Check Valve Not available separately.   |
| 28    |             | 1   | Valve - Check Not available separately.            |
| 29    |             | 1   | Screw - Metering Cover Not available separately.   |
| 30    |             | 1   | Cover - Metering Chamber Not available separately. |
| 31    |             | 1   | Diaphragm Asy - Metering Not available separately. |
| 32    |             | 1   | Gasket - Metering Cover Not available separately.  |
|       | 222404      |     | Major Repair Kit                                   |
|       | 222405      |     | Gasket/Diaphragm                                   |



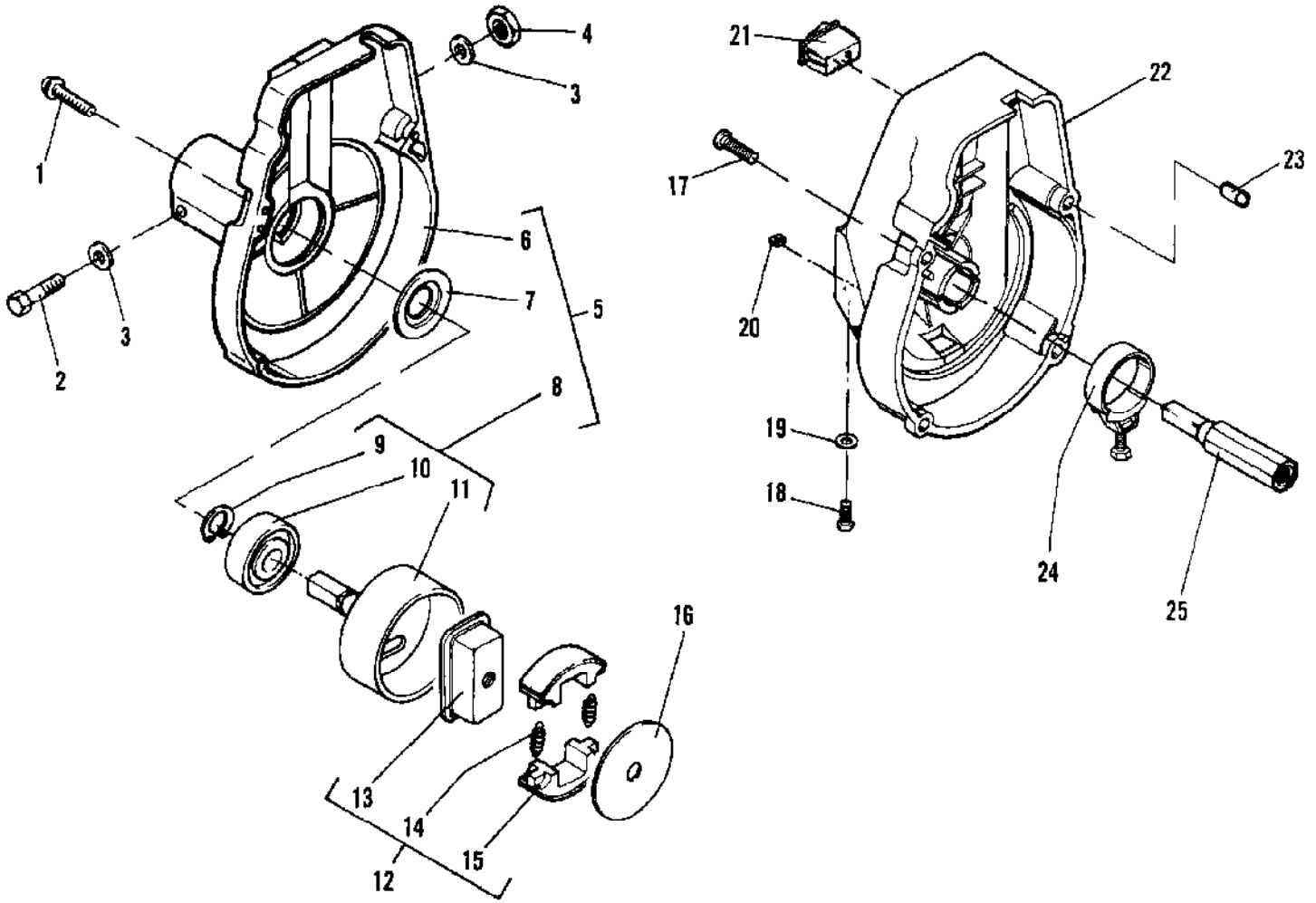
| Ref # | Part Number | Qty | Description  |
|-------|-------------|-----|--|
| 1     | 217403      | 2   | Nut - M6 (18 - 26 inch pounds torque)                  |
| 2     | 216596      | 2   | Washer - Throttle Cable                                |
| 3     | 217360      | 1   | Cable - Throttle                                       |
|       | 215306      | 1   | Harness - Throttle Cable/Wire Assembly                 |
| 4     | 218285      | 1   | Shaft - Flexible Drive 44"                             |
| 5     | 222304      | 1   | Housing Asy - Outer 44"                                |
| 6     | 218282      | 1   | Sleeve (For 44" Shaft)                                 |
| 4     | 215324      | 1   | Shaft - Flexible Drive 48"                             |
| 5     | 222313      | 1   | Housing Asy - Outer 48"                                |
| 6     | 217366      | 1   | Sleeve (For 48" Shaft)                                 |
| 4     | 218326      | 1   | Shaft - Flexible Drive 54"                             |
| 5     | 217362      | 1   | Housing Asy - Outer 54"                                |
| 6     | 217367      | 1   | Sleeve (For 54" Shaft)                                 |
| 7     | 218376      | 1   | Grip - Solid Rubber                                    |
|       | 215322      | 1   | Grip - Waffle Design                                   |
| 8     | 110706      | 1   | Screw - 8-18 x .50                                     |
| 9     | 215320      | 1   | Contact - Switch                                       |
| 10    | 215319      | 1   | Base - Switch  |
| 11    | 68846       | 1   | Button - Switch  |
| 12    | 215323      | 1   | Guide - Throttle Cable                                 |
| 13    | 216027      | 1   | Screw - M5 x 28.5                                      |
| 14    | 217159      | 1   | Nut - Hex M5   |
| 15    | 215318      | 1   | Trigger - Throttle                                     |
| 16    | 217337      | 1   | Hsg - Trigger (W/O Switch Hole)                        |
|       | 215317      | 1   | Hsg - Trigger (W/Switch Hole)                          |
| 17    | 218001      | 1   | Ring Asy - Harness                                     |
| 18    |             | 1   | Bolt - Ring Not available separately.                  |
| 19    | 218295      | 1   | Decal - Warning (For String Trimmer Only)              |
|       | 219030      | 1   | Decal - Warning (For String Trimmer/Brush Cutter Only) |
| 20    | 217937      | 1   | Screw - 10-24 x 1                                      |
| 21    | 218315      | 1   | Nut  |
| 22    | 215874      | 1   | Screw - M4 x 9.5                                       |
| 23    | 217672      | 1   | Washer - M4 Flat                                       |
| 24    | 218241      | 1   | Spindle Asy  |
| 25    | 217477      | 1   | Coupling (70 Inch Pounds Torque)                       |
| 24    | 222468      | 1   | Kit - Spindle Housing Assembly                         |
| 25    | 217477      | 1   | Coupling (70 Inch Pounds Torque)                       |
| 26    | 222402      | 1   | Washer - Thrust  |



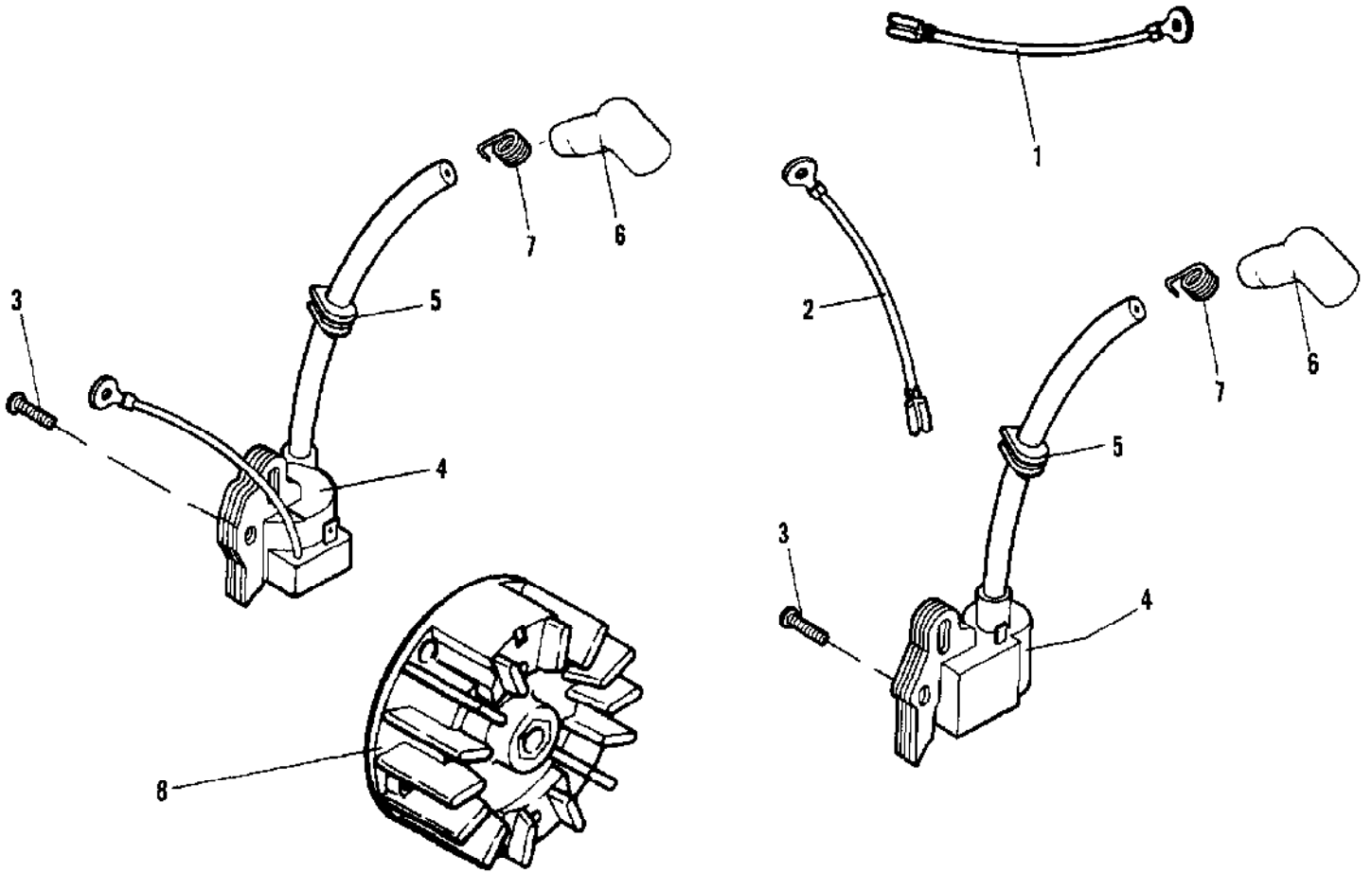


| Ref # | Part Number | Qty | Description   |
|-------|-------------|-----|---|
| 1     | 219078      | 2   | Screw - Choke Cover (18 - 23 in. lb. torque)  |
| 2     | 219098      | 1   | Cover Asy - Choke   |
| 3     | 219145      | 1   | Filter - Air (Foam)   |
| 4     | 219144      | 1   | Box - Air   |
| 5     |             | 1   | Carburetor See "Carburetor Assembly WT-91" illustration and parts list. See "Carburetor Assembly Zama M16" illustration and parts list. |
| 6     | 218933      | 1   | Gasket - Carb/Insulator   |
| 7     | 219070      | 1   | Insulator - Carb/C'Case   |
| 8     | 216575      | 1   | Gasket - Insulator/C'Case   |
| 9     | 219508      | 2   | Screw - M4 x 17 (13 - 15 in. lb. Torque)  |
| 10    | 219079      | 2   | Spacer - Muffler Shield   |
| 11    | 218962      | 1   | Shield - Muffler (Plastic)  |
| 12    | 219194      | 2   | Screw - 5-20 x .438 (12 - 16 in. lb. Torque)  |
| 13    | 219150      | 1   | Cover - Screen  |
| 14    | 219149      | 1   | Screen - Spark Arrester   |
| 15    | 217275      | 2   | Nut - Muffler M5 (41 - 50 in. lb. Torque)   |
| 16    | 219152      | 1   | Muffler Asy   |
| 17    | 215515      | 1   | Gasket - Muffler  |
| 18    | 215517      | 2   | Stud - Muffler  |
| 19    | 216022      | 2   | Screw - M4 x 21.40 (13 - 15 in. lb. Torque)   |
| 20    | 217669      | 1   | Screw - M4 x 25 (12 - 16 in. lb. Torque)  |
| 21    | 217388      | 1   | Starter Asy (W/Steel Center Post)   |
| 22    | 217389      | 1   | Housing/Guide Asy   |
| 23    | 218932      | 1   | Guide - Rope  |
| 24    | 219585      | 2   | Spacer - Housing Starter  |
| 25    | 219584      | 1   | Spacer - Muffler Shield   |
| 26    | 215874      | 1   | Screw - M4 x 9.50 (18 - 21 in. lb. Torque)  |
| 27    | 216590      | 1   | Washer - M4 Flat  |
| 28    | 216092      | 1   | Drum/Rope Asy   |
| 29    | 216093      | 1   | Rope - Starter  |
| 30    | 216792      | 1   | Handle - Starter  |
| 31    | 218941      | 1   | Washer - Nylon  |
| 32    | 217482      | 1   | Spring - Starter  |
| 33    | 217382      | 1   | Cushion - Fuel Tank   |
| 34    | 222239      | 1   | Tank/Hose Asy - Fuel  |
| 35    | 222238      | 1   | Hose - Fuel Return  |
| 36    | 217264      | 1   | Hose - Fuel   |
| 37    | 216985      | 1   | Pickup - Fuel   |
| 38    | 222347      | 1   | Cap - Fuel  |
| 39    | 217390      | 1   | Cushion - Fuel Tank   |
| 40    | 217383      | 1   | Decal - 40:1  |
| 41    | 216583      | 1   | Nut - Hex M8 (149 - 176 in. lb. Torque)   |
| 42    | 215525      | 1   | Ratchet Asy (Hand Tighten Only)   |
| 43    |             | 1   | Fan Housing Assemblies See "Fan Housing Assemblies" illustration and parts.   |
| 44    |             | 1   | Ignition Assemblies See "Ignition & Flywheel Assemblies" illustration and parts list.   |
| 45    | 62345       | 1   | Plug - Spark DJSJ (105 - 130 in. 1b. Torque)  |
| 46    | 213178      | 1   | Screw - M5 x 8.5 (15 - 25 in. lb. Torque)   |
| 47    | 215540      | 1   | Cover - Cylinder  |
| 48    | 217320      | 2   | Screw - M6 x 18 (70 - 80 in. lb. Torque)  |
| 49    | 222593      | 1   | Kit - Cylinder/Piston   |
| 50    | 222759      | 1   | Kit - Cyl (Plated)/Gasket   |

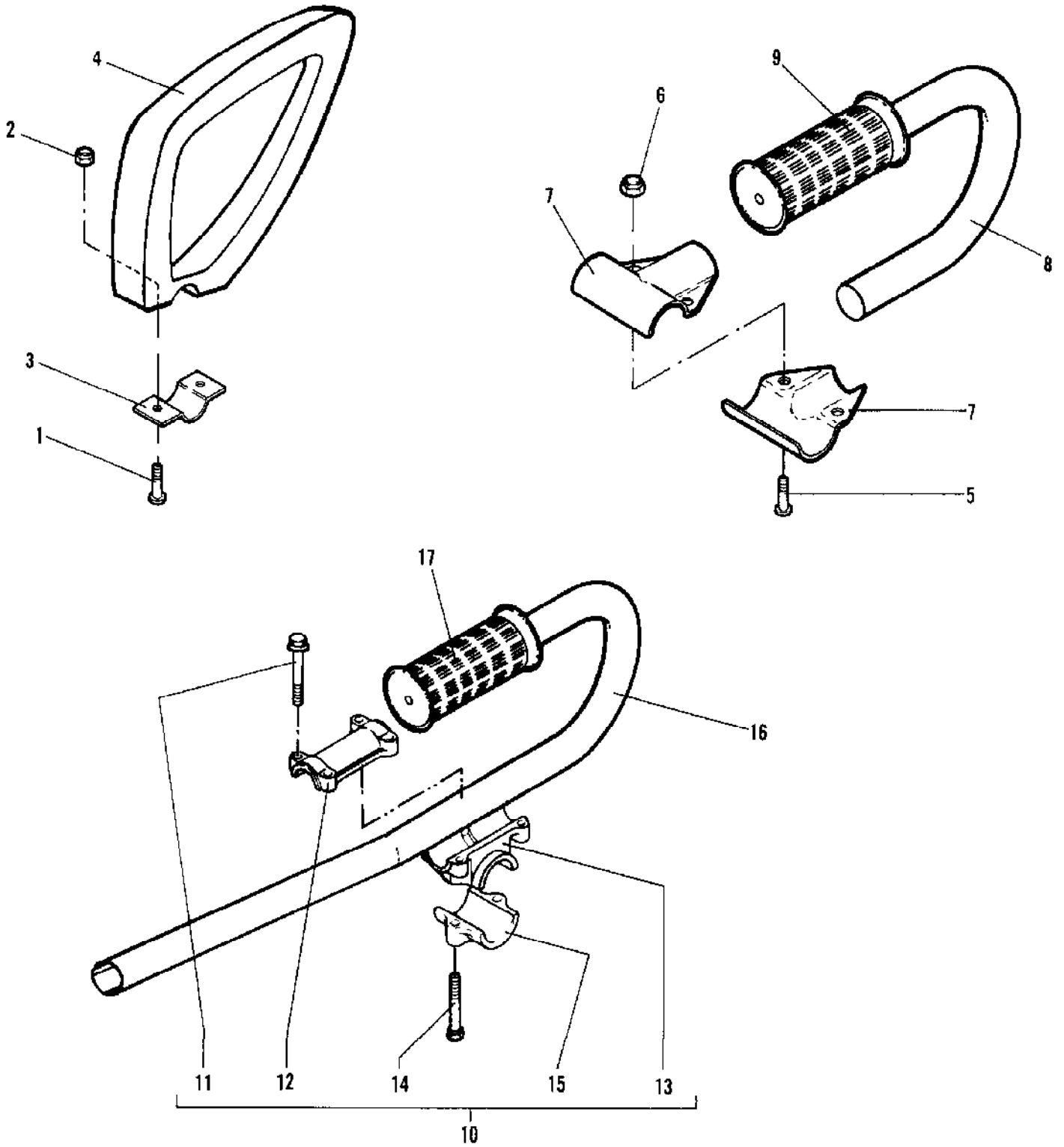
| Ref # | Part Number | Qty | Description   |
|-------|-------------|-----|---|
| 51    | 215542      | 1   | Gasket - Cylinder/C'Case  |
| 52    | 217475      | 1   | Ring - Piston   |
| 53    | 111026      | 2   | Ring - Snap   |
| 54    | 218275      | 1   | Pin - Wrist   |
| 55    | 218264      | 1   | Piston (Non - Plated)   |
| 49    | 222594      | 1   | Kit - Cylinder/Piston   |
| 50    | 219084      | 1   | Kit -Cyl (Plated)/Gasket  |
| 51    | 215542      | 1   | Gasket - Cylinder/C'Case  |
| 52    | 217475      | 1   | Ring - Piston   |
| 53    | 111026      | 2   | Ring - Snap   |
| 54    | 218275      | 1   | Pin - Wrist   |
| 55    | 218264      | 1   | Piston (Non - Plated)   |
| 56    | 213179      | 4   | Screw - M5 x 28.5 (35 - 40 in. lb. Torque)  |
| 57    | 215541      | 1   | Grommet   |
| 58    | 218185      | 1   | Crankcase Asy   |
| 59    | 213191      | 4   | Pin   |
| 60    | 215545      | 1   | Gasket - Crankcase  |
| 61    | 110984      | 1   | Bearing - Needle  |
| 62    | 102164      | 1   | Key - Flywheel  |
| 63    | 213282      | 2   | Bearing - C'Shaft(Roller)   |
| 64    | 218106-01   | 1   | Crankshaft/Con Rod Asy  |
| 65    | 83859       | 2   | Seal - Crankshaft   |
| 66    |             | 1   | Flywheel Assemblies See "Ignition & Flywheel Assemblies" illustration and parts list. |



| Ref # | Part Number | Qty | Description                                      |
|-------|-------------|-----|--|
| 1     | 213177      | 4   | Screw - M4 x 18.50 (12 - 16 in. lb. torque)      |
| 2     | 217158      | 1   | Screw - Hex M5 x 35 (35 - 43 in. lb. torque)     |
| 3     | 216591      | 2   | Washer - Flat M5                                 |
| 4     | 217159      | 1   | Nut - Hex M5 (54 - 63 in. lb. torque)            |
| 5     | 218057      | 1   | Housing Asy - Fan                                |
| 6     | 217533      | 1   | Housing - Fan                                    |
| 7     | 215534      | 1   | Plate - Thrust                                   |
| 8     | 218065      | 1   | Drum Asy - Clutch                                |
| 9     | 213186      | 1   | Ring - Retaining                                 |
| 10    | 213187      | 1   | Bearing - Ball                                   |
| 11    | 218063      | 1   | Drum - Clutch                                    |
| 12    | 216060      | 1   | Clutch Asy                                       |
| 13    | 215536      | 1   | Rotor  |
| 14    | 215537      | 2   | Spring   |
| 15    |             | 2   | Shoe Not available separately.                   |
| 16    | 215539      | 1   | Plate - Side                                     |
| 17    | 219508      | 4   | Screw - M4 x 17 (12 - 16 in. lb. torque)         |
| 18    | 215874      | 1   | Screw - M4 x 9.5 Torx (10 - 13 in. lb. torque)   |
| 19    | 217672      | 1   | Washer - M4 Flat                                 |
| 20    | 219558      | 1   | Nut - Square                                     |
| 21    | 218648      | 1   | Switch   |
| 22    | 219595      | 1   | Housing - Fan (W/Switch Hole)                    |
| 23    | 219024      | 4   | Spacer - Fan Housing                             |
| 24    | 219025      | 1   | Clamp - Drive Shaft Asy (25 - 30 in. lb. torque) |
| 22    | 219596      |     | Housing - Fan (W/O Switch Hole)                  |
| 23    | 219024      | 4   | Spacer - Fan Housing                             |
| 24    | 219025      | 1   | Clamp - Drive Shaft Asy (25 - 30 in. lb. torque) |
| 25    | 217471      | 1   | Coupling   |



| Ref # | Part Number | Qty | Description                                |
|-------|-------------|-----|--|
| 1     | 218649      | 1   | Wire Asy - Ground                          |
| 2     | 219383      | 1   | Wire Asy - Switch                          |
| 3     | 216022      | 2   | Screw - M4 x 18.9 (12 - 16 in. lb. torque) |
| 4     | 219386      | 1   | Ignition Asy (Black)                       |
|       | 219782      | 1   | Ignition Asy (Cream)                       |
| 5     | 215533      | 1   | Grommet                                    |
| 6     | 95266       | 1   | Boot - Spark Plug                          |
| 7     | 102556      | 1   | Connector - Spark                          |
| 8     | 219951      | 1   | Flywheel                                   |
|       | 222308      | 1   | Flywheel                                   |





| Ref # | Part Number | Qty | Description  |
|-------|-------------|-----|--|
| 1     | 120041      | 2   | Screw - Hex M5 x 22 (18 - 26 inch pounds torque)                       |
| 2     | 217159      | 2   | Nut - Hex M5   |
| 3     | 217442      | 1   | Clamp - Delta Handle   |
| 4     | 217444      | 1   | Handle - Delta   |
| 5     | 217935      | 2   | Screw - 10-24 x .50 (26 - 35 inch pounds torque)                       |
| 6     | 218315      | 2   | Nut - "J" Handle   |
| 7     | 215337      | 2   | Clamp - "J" Handle   |
| 8     | 217856      | 1   | "J" Handle/Grip Asy  |
| 9     | 94212       | 1   | Grip   |
| 10    | 218391      | 1   | Clamp Asy  |
| 11    |             | 4   | Screw - M5 x .8 Not available separately. (26 - 35 inch pounds torque) |
| 12    |             | 1   | Clamp - Top Not available separately.                                  |
| 13    |             | 1   | Clamp - Centerpiece Not available separately.                          |
| 14    |             | 2   | Screw - M6 x 1 Not available separately. (44 - 52 inch pounds torque)  |
| 15    |             | 1   | Clamp - Bottom Not available separately.                               |
| 16    | 218327      | 1   | "J" Handle/Barrier/Grip Asy  |
| 17    | 94212       | 1   | Grip   |

No  
Diagram  
Available  
  
Parts List  
Only

| Ref # | Part Number | Qty | Description                |
|-------|-------------|-----|----------------------------|
|       | 215439      |     | Tool-Piston Driving        |
|       | 215441      |     | Tool-Clutch Puller         |
|       | 215443      |     | Plate-Pressure Test        |
|       | 215444      |     | Gasket-Intake Plate        |
|       | 215445      |     | Gasket-Exhaust             |
|       | 217355      |     | Wrench-8/10mm              |
|       | 216767      |     | Lock-Spindle               |
|       | 218175      |     | Wrench-9/16" Socket        |
|       | 222785      |     | Torx Drive T-25 (cylinder) |