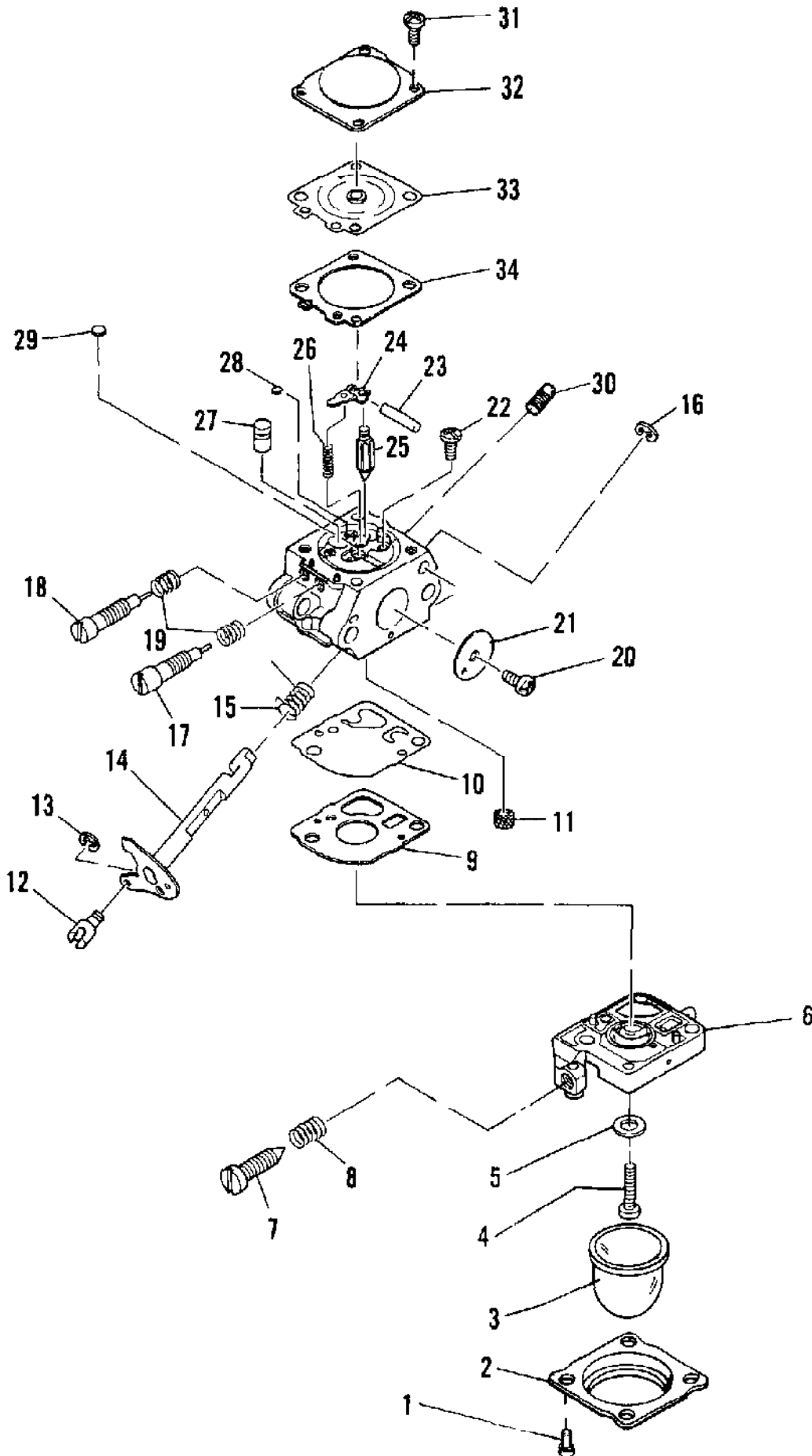
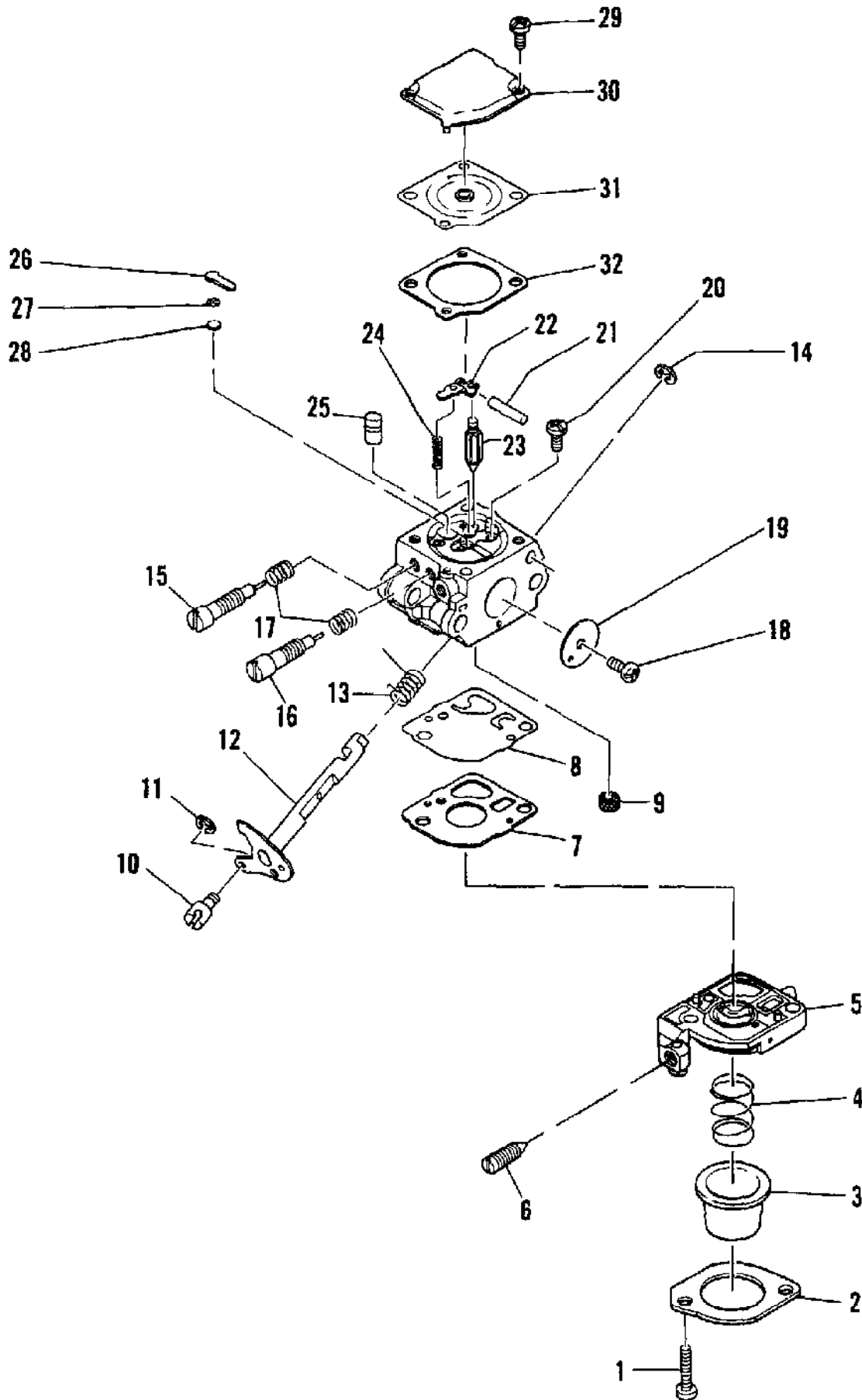


## Debris Shield/String Head Cutter/Blade Guard/Blade Assemblies

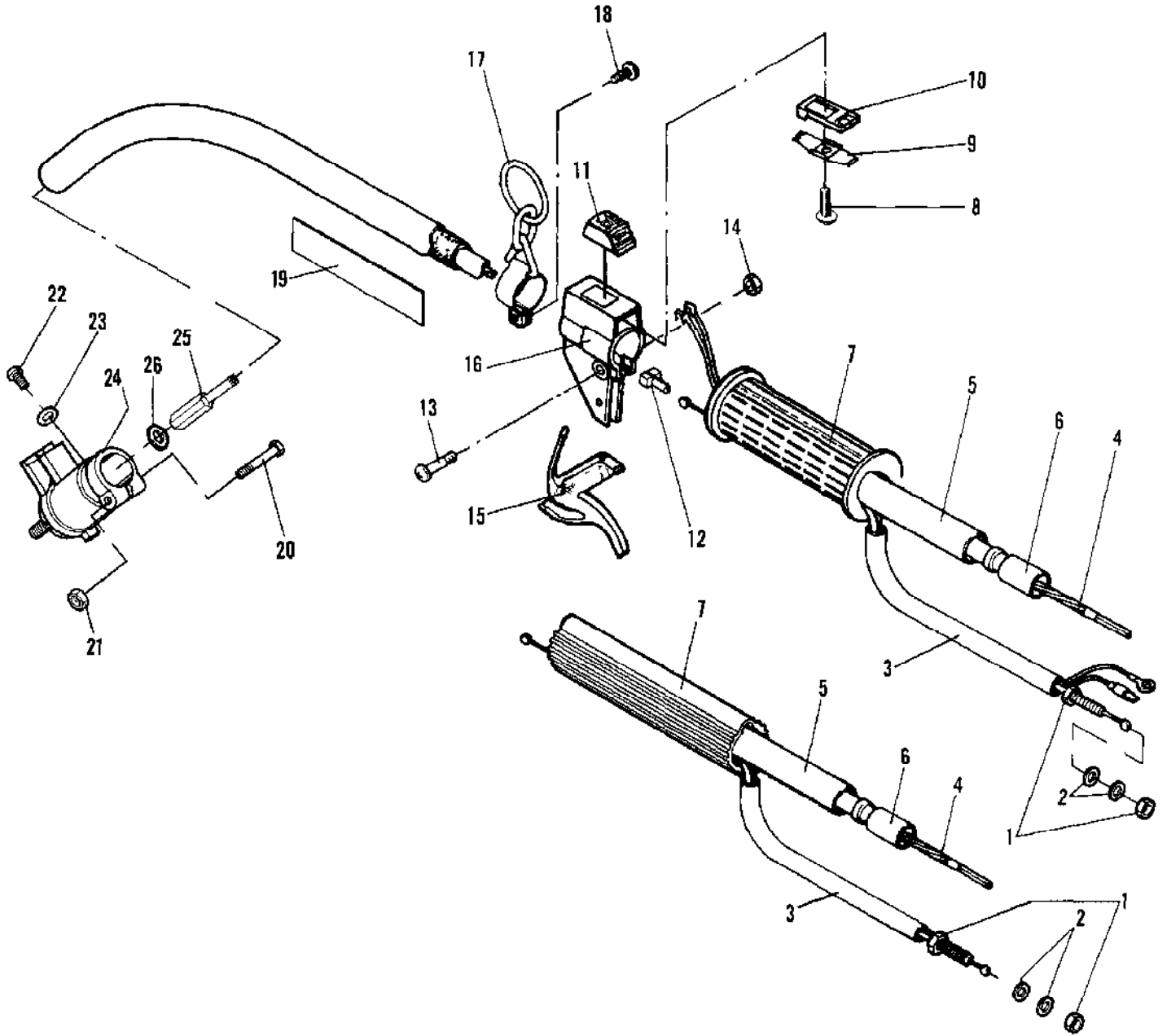
Ref #	Part Number	Qty	Description
1	217869	1	Kit - Shield Grass
2	215314	1	Shield - Grass
3	216595	1	Screw - Hex M6 x 50
4	215871	1	Nut - Hex M6 x 1 (18 - 26 in. lb. torque)
5	217936	2	Screw - 10-25 x.75 TORX
6	110582	2	Washer - Flat
7	218315	2	Nut - Hex
8	103174	2	Washer - Lock
9	216587	1	Knife
10	218214	1	Collar (String Head Use Only)
11	219784	1	Head Asy - String (.095)
12	219765	1	Cover
13	219764	1	Button
14	219786	1	Spool With Line (.095)
15			Line Replacement See "Specifications/Tools" parts list.
16	219761	1	Spring
17	219760	1	Nut
18	219758	1	Housing
19	219759	1	Eyelet
20	219757	1	Bolt-Shaft
21	222315	1	String Head Assembly (.095)
22	222494	1	Screw - Hex Head Slotted
23	222409	1	Spool/Line Assembly (.095)
24			Line Replacement See "Specifications/Tools" parts list.
25	219826	1	Spring
26	222403	1	Ring - Retaining
27	222401	1	Washer - Plain
28	222410	1	Housing/Eyelet Assembly
29	222400	1	Spindle
30	218200	1	Kit - Blade Guard
31	218159	1	Pin - Cotter
32	218330	1	Nut - Blade Retaining (260 inch pounds torque)
33	218094	1	Collar (For Use With Blade)
34	217935	1	Screw - 10-24 x .50 Torx (18 - 26 inch pounds torque)
35	217936	2	Screw - 10-24 x .75 Torx (18 - 26 inch pounds torque)
36	218165	2	Clamp - Guard
37	110582	3	Washer - Flat
38	103174	3	Washer - Lock
39	218315	2	Nut
40	218329	1	Guard - Blade (Right Hand)
41	218075	1	Flange (Brush Cutter Only)
42	216514-01	1	Blade - Brush 80 Tooth
43	218158	1	Harness



Ref #	Part Number	Qty	Description
	222317	1	Carburetor Asy - WT-91
1		4	Screw - Pump Cover Not available separately.
2		1	Retainer - Cover Not available separately.
3	223077	1	Primer
4		1	Screw Not available separately.
5		1	Washer Not available separately.
6	223281	1	Base Asy - Primer
7		1	Screw - Idle Adj. Not available separately.
8		1	Spring Not available separately.
9		1	Gasket - Fuel Pump Not available separately.
10		1	Diaphragm - Fuel Pump Not available separately.
11		1	Screen Not available separately.
12		1	Post Not available separately.
13		1	Ring - "E" Not available separately.
14		1	Shaft Asy-Throttle Not available separately.
15		1	Spring Not available separately.
16		1	Ring - "E" Not available separately.
17		1	Screw - Low Speed Adj Not available separately.
18		1	Screw - High Speed Adj Not available separately.
19		2	Spring Not available separately.
20		1	Screw - Throttle Valve Not available separately.
21		1	Valve - Throttle Not available separately.
22		1	Screw - Pin Retaining Not available separately.
23		1	Pin - Metering Lever Not available separately.
24		1	Lever - Metering Not available separately.
25		1	Valve - Inlet Not available separately.
26		1	Spring - Metering Lever Not available separately.
27		1	Nozzle Asy - Check Valve Not available separately.
28		1	Plug - Welch Not available separately.
29		1	Plug - Welch Not available separately.
30		1	Governor - Check Valve Not available separately.
31		4	Screw - Metering Cover Not available separately.
32		1	Cover - Metering Diaphragm Not available separately.
33		1	Diaphragm Asy - Metering Not available separately.
34		1	Gasket - Metering Cover Not available separately.
	222755		Major Kit
	222756		Gasket/Diaphragm

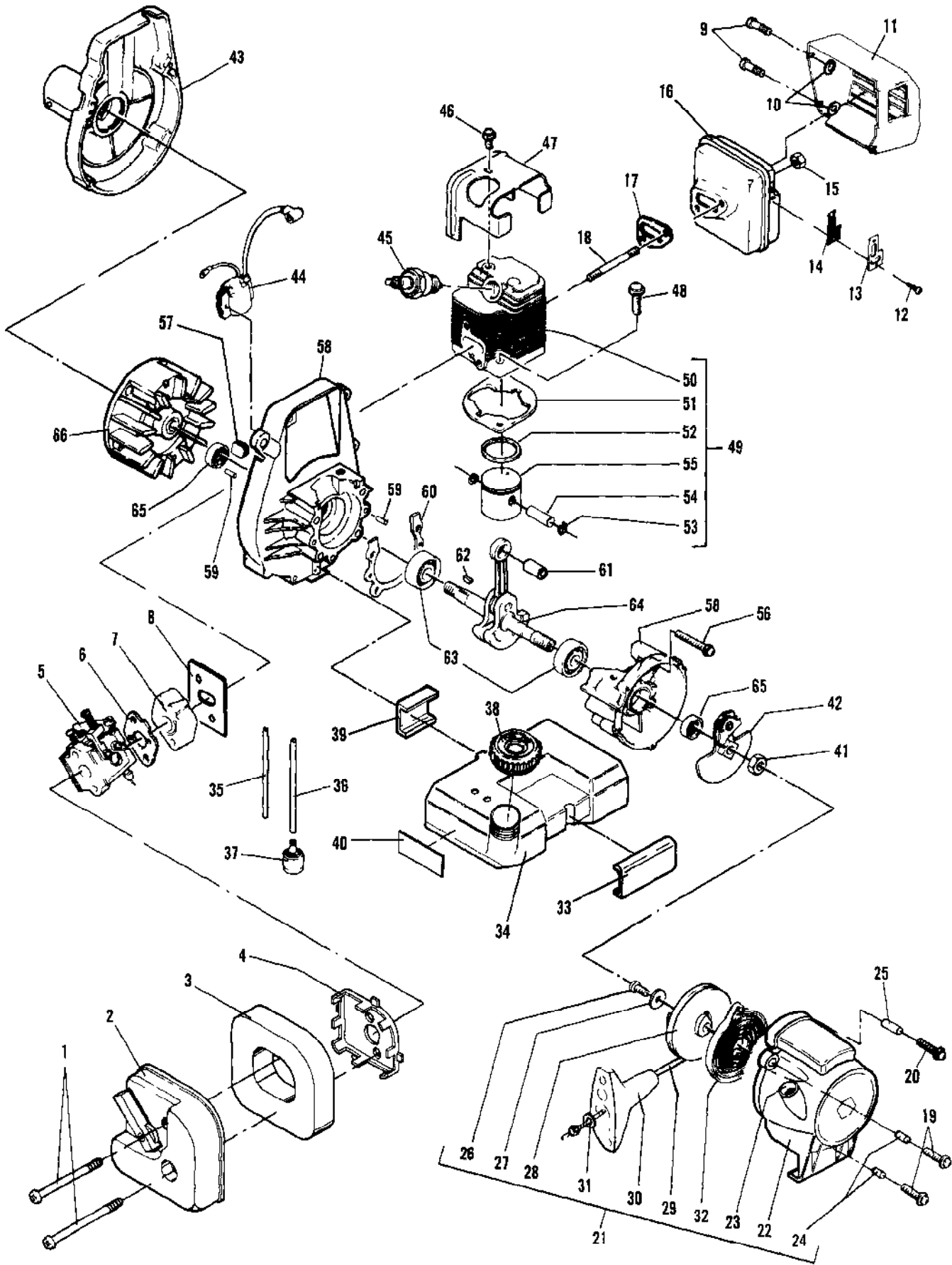


Ref #	Part Number	Qty	Description
	222209		Carburetor - Zama M16
1		2	Screw - Pump Cover Not available separately.
2		1	Retainer - Primer Not available separately.
3	223061	1	Kit - Bulb Primer
4		1	Spring - Primer Not available separately.
5	223282	1	Base Asy - Primer
6		1	Screw - Idle Adjustment Not available separately.
7		1	Gasket - Pump Not available separately.
8		1	Diaphragm - Pump Not available separately.
9		1	Strainer Not available separately.
10		1	Post Not available separately.
11		1	Ring - "E" Not available separately.
12		1	Shaft Asy - Throttle Not available separately.
13		1	Spring - Throttle Return Not available separately.
14		1	Ring - "E" Not available separately.
15		1	Screw - High Speed Adj. Not available separately.
16		1	Screw - Low Speed Adj. Not available separately.
17		2	Spring - Adj. Screws Not available separately.
18		1	Screw - Throttle Valve Not available separately.
19		1	Valve - Throttle Not available separately.
20		1	Screw - Pin Retaining Not available separately.
21		1	Pin - Metering Lever Not available separately.
22		1	Lever - Metering Not available separately.
23		1	Valve - Inlet Not available separately.
24		1	Spring - Metering Lever Not available separately.
25		1	Nozzle Asy - Check Valve Not available separately.
26		1	Plug - Welch Not available separately.
27		1	Retainer - Check Valve Not available separately.
28		1	Valve - Check Not available separately.
29		1	Screw - Metering Cover Not available separately.
30		1	Cover - Metering Chamber Not available separately.
31		1	Diaphragm Asy - Metering Not available separately.
32		1	Gasket - Metering Cover Not available separately.
	222404		Major Repair Kit
	222405		Gasket/Diaphragm



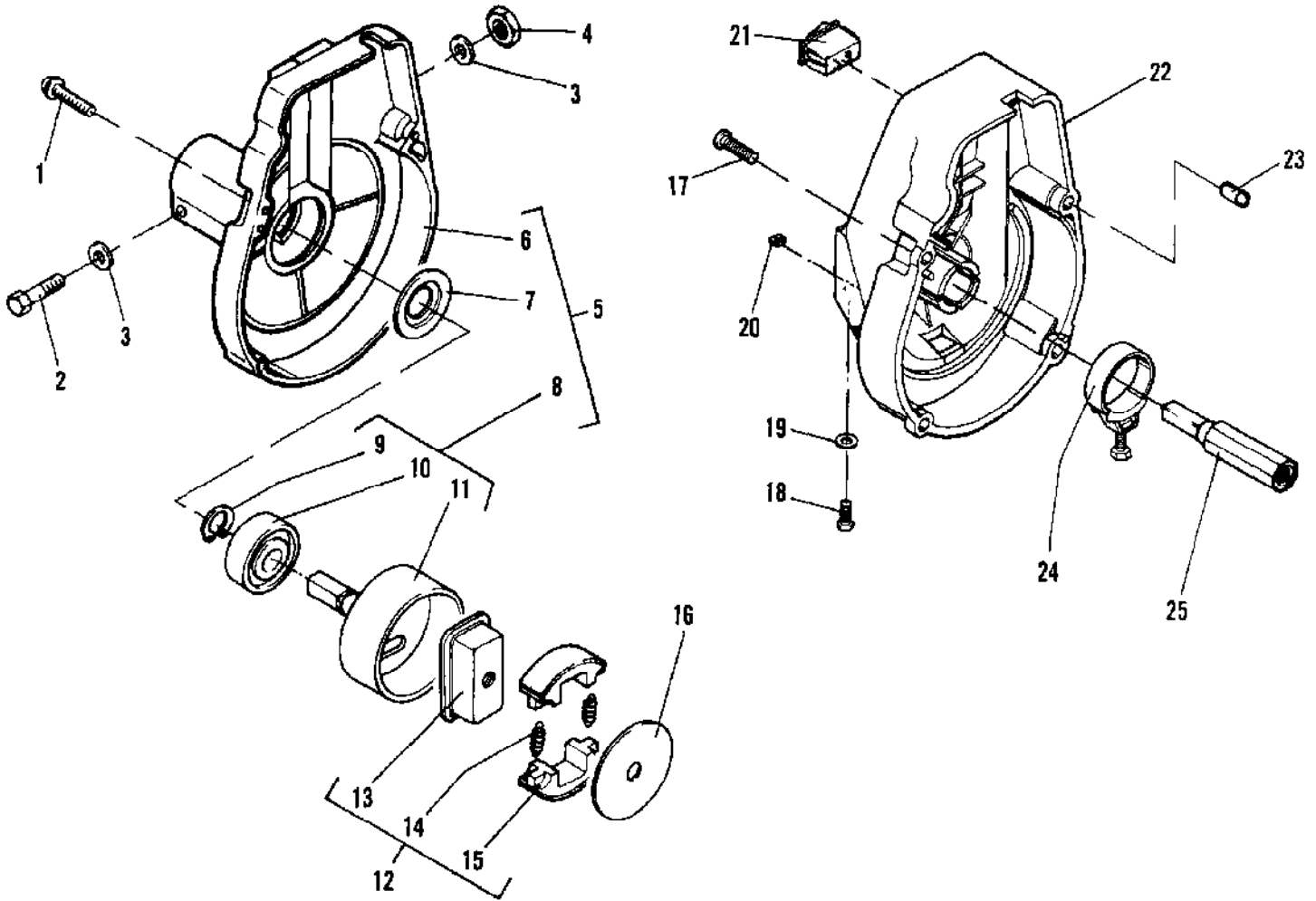
Ref #	Part Number	Qty	Description
1	217403	2	Nut - M6 (18 - 26 inch pounds torque)
2	216596	2	Washer - Throttle Cable
3	217360	1	Cable - Throttle
	215306	1	Harness - Throttle Cable/Wire Assembly
4	218285	1	Shaft - Flexible Drive 44"
5	222304	1	Housing Asy - Outer 44"
6	218282	1	Sleeve (For 44" Shaft)
4	215324	1	Shaft - Flexible Drive 48"
5	222313	1	Housing Asy - Outer 48"
6	217366	1	Sleeve (For 48" Shaft)
4	218326	1	Shaft - Flexible Drive 54"
5	217362	1	Housing Asy - Outer 54"
6	217367	1	Sleeve (For 54" Shaft)
7	218376	1	Grip - Solid Rubber
	215322	1	Grip - Waffle Design
8	110706	1	Screw - 8-18 x .50
9	215320	1	Contact - Switch
10	215319	1	Base - Switch
11	68846	1	Button - Switch
12	215323	1	Guide - Throttle Cable
13	216027	1	Screw - M5 x 28.5
14	217159	1	Nut - Hex M5
15	215318	1	Trigger - Throttle
16	217337	1	Hsg - Trigger (W/O Switch Hole)
	215317	1	Hsg - Trigger (W/Switch Hole)
17	218001	1	Ring Asy - Harness
18		1	Bolt - Ring Not available separately.
19	218295	1	Decal - Warning (For String Trimmer Only)
	219030	1	Decal - Warning (For String Trimmer/Brush Cutter Only)
20	217937	1	Screw - 10-24 x 1
21	218315	1	Nut
22	215874	1	Screw - M4 x 9.5
23	217672	1	Washer - M4 Flat
24	218241	1	Spindle Asy
25	217477	1	Coupling (70 Inch Pounds Torque)
24	222468	1	Kit - Spindle Housing Assembly
25	217477	1	Coupling (70 Inch Pounds Torque)
26	222402	1	Washer - Thrust



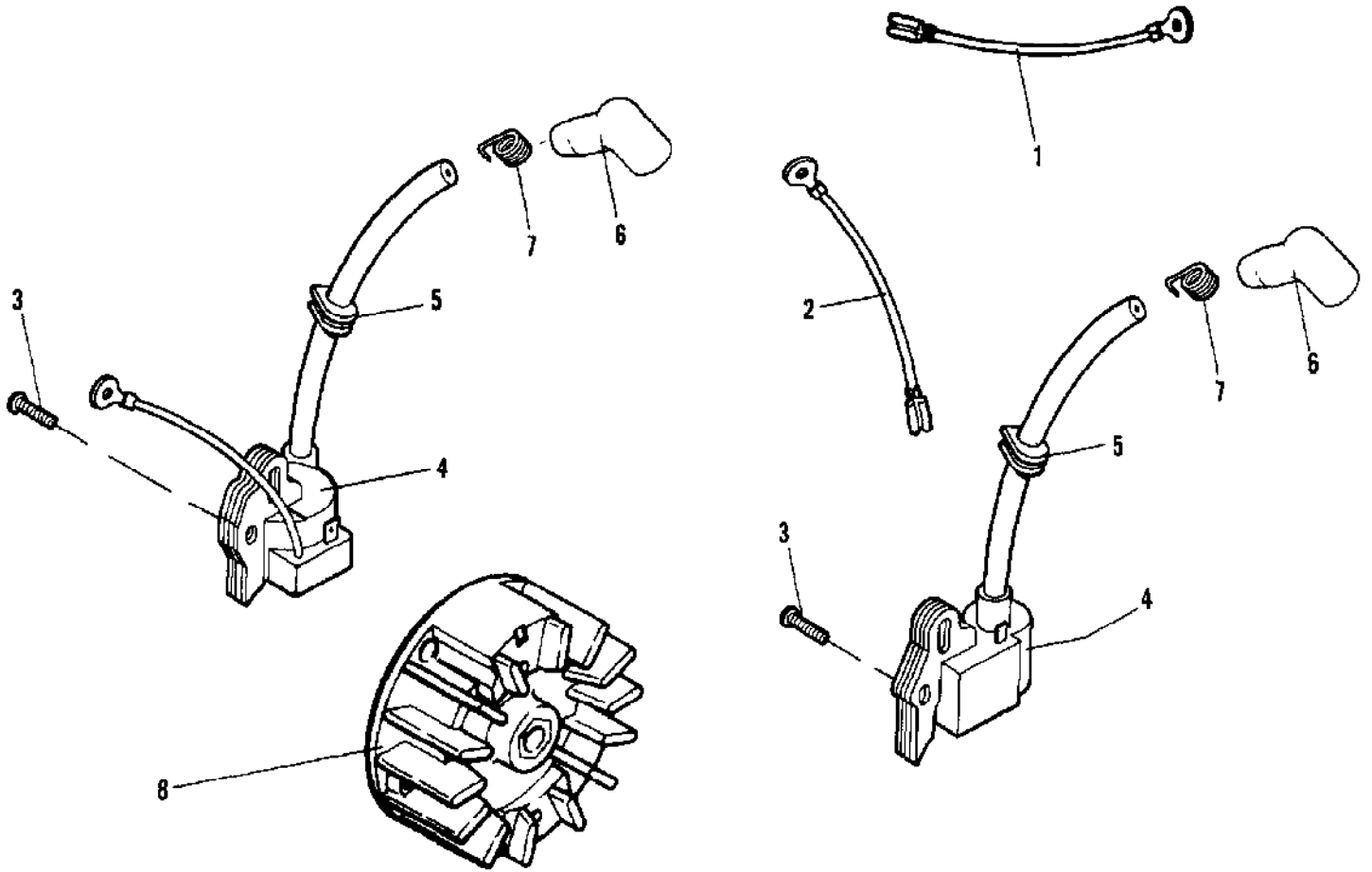


Ref #	Part Number	Qty	Description
1	219078	2	Screw - Choke Cover (18 - 23 in. lb. torque)
2	219098	1	Cover Asy - Choke
3	219145	1	Filter - Air (Foam)
4	219144	1	Box - Air
5		1	Carburetor See "Carburetor Assembly WT-91" illustration and parts list. See "Carburetor Assembly Zama M16" illustration and parts list.
6	218933	1	Gasket - Carb/Insulator
7	219070	1	Insulator - Carb/C'Case
8	216575	1	Gasket - Insulator/C'Case
9	219508	2	Screw - M4 x 17 (13 - 15 in. lb. Torque)
10	219079	2	Spacer - Muffler Shield
11	218962	1	Shield - Muffler (Plastic)
12	219194	2	Screw - 5-20 x .438 (12 - 16 in. lb. Torque)
13	219150	1	Cover - Screen
14	219149	1	Screen - Spark Arrester
15	217275	2	Nut - Muffler M5 (41 - 50 in. lb. Torque)
16	219152	1	Muffler Asy
17	215515	1	Gasket - Muffler
18	215517	2	Stud - Muffler
19	216022	2	Screw - M4 x 21.40 (13 - 15 in. lb. Torque)
20	217669	1	Screw - M4 x 25 (12 - 16 in. lb. Torque)
21	217388	1	Starter Asy (W/Steel Center Post)
22	217389	1	Housing/Guide Asy
23	218932	1	Guide - Rope
24	219585	2	Spacer - Housing Starter
25	219584	1	Spacer - Muffler Shield
26	215874	1	Screw - M4 x 9.50 (18 - 21 in. lb. Torque)
27	216590	1	Washer - M4 Flat
28	216092	1	Drum/Rope Asy
29	216093	1	Rope - Starter
30	216792	1	Handle - Starter
31	218941	1	Washer - Nylon
32	217482	1	Spring - Starter
33	217382	1	Cushion - Fuel Tank
34	222239	1	Tank/Hose Asy - Fuel
35	222238	1	Hose - Fuel Return
36	217264	1	Hose - Fuel
37	216985	1	Pickup - Fuel
38	222347	1	Cap - Fuel
39	217390	1	Cushion - Fuel Tank
40	217383	1	Decal - 40:1
41	216583	1	Nut - Hex M8 (149 - 176 in. lb. Torque)
42	215525	1	Ratchet Asy (Hand Tighten Only)
43		1	Fan Housing Assemblies See "Fan Housing Assemblies" illustration and parts.
44		1	Ignition Assemblies See "Ignition & Flywheel Assemblies" illustration and parts list.
45	62345	1	Plug - Spark DJSJ (105 - 130 in. 1b. Torque)
46	213178	1	Screw - M5 x 8.5 (15 - 25 in. lb. Torque)
47	215540	1	Cover - Cylinder
48	217320	2	Screw - M6 x 18 (70 - 80 in. lb. Torque)
49	222593	1	Kit - Cylinder/Piston
50	222759	1	Kit - Cyl (Plated)/Gasket

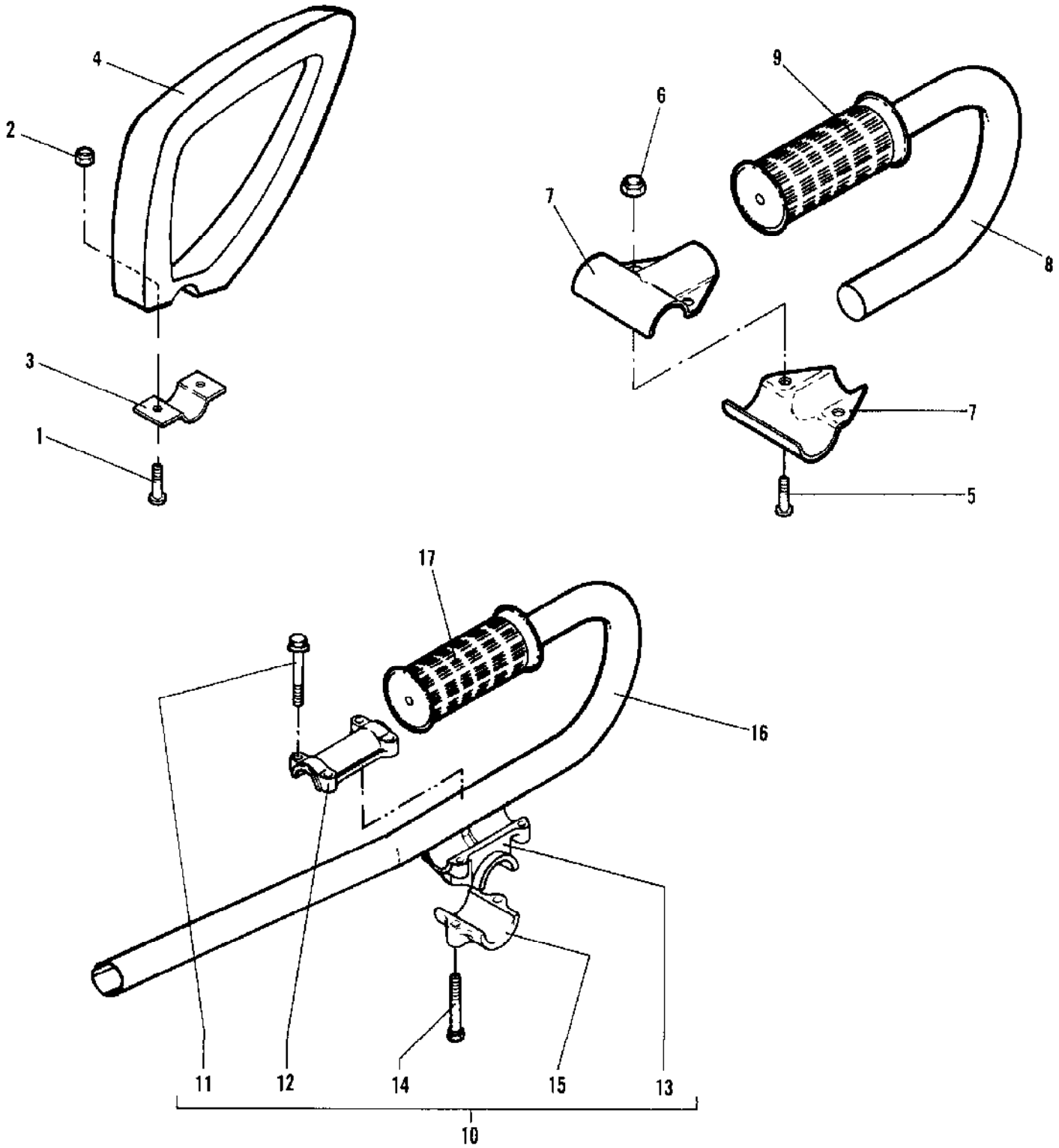
Ref #	Part Number	Qty	Description
51	215542	1	Gasket - Cylinder/C'Case
52	217475	1	Ring - Piston
53	111026	2	Ring - Snap
54	218275	1	Pin - Wrist
55	218264	1	Piston (Non - Plated)
49	222594	1	Kit - Cylinder/Piston
50	219084	1	Kit -Cyl (Plated)/Gasket
51	215542	1	Gasket - Cylinder/C'Case
52	217475	1	Ring - Piston
53	111026	2	Ring - Snap
54	218275	1	Pin - Wrist
55	218264	1	Piston (Non - Plated)
56	213179	4	Screw - M5 x 28.5 (35 - 40 in. lb. Torque)
57	215541	1	Grommet
58	218185	1	Crankcase Asy
59	213191	4	Pin
60	215545	1	Gasket - Crankcase
61	110984	1	Bearing - Needle
62	102164	1	Key - Flywheel
63	213282	2	Bearing - C'Shaft(Roller)
64	218106-01	1	Crankshaft/Con Rod Asy
65	83859	2	Seal - Crankshaft
66		1	Flywheel Assemblies See "Ignition & Flywheel Assemblies" illustration and parts list.



Ref #	Part Number	Qty	Description
1	213177	4	Screw - M4 x 18.50 (12 - 16 in. lb. torque)
2	217158	1	Screw - Hex M5 x 35 (35 - 43 in. lb. torque)
3	216591	2	Washer - Flat M5
4	217159	1	Nut - Hex M5 (54 - 63 in. lb. torque)
5	218057	1	Housing Asy - Fan
6	217533	1	Housing - Fan
7	215534	1	Plate - Thrust
8	218065	1	Drum Asy - Clutch
9	213186	1	Ring - Retaining
10	213187	1	Bearing - Ball
11	218063	1	Drum - Clutch
12	216060	1	Clutch Asy
13	215536	1	Rotor
14	215537	2	Spring
15		2	Shoe Not available separately.
16	215539	1	Plate - Side
17	219508	4	Screw - M4 x 17 (12 - 16 in. lb. torque)
18	215874	1	Screw - M4 x 9.5 Torx (10 - 13 in. lb. torque)
19	217672	1	Washer - M4 Flat
20	219558	1	Nut - Square
21	218648	1	Switch
22	219595	1	Housing - Fan (W/Switch Hole)
23	219024	4	Spacer - Fan Housing
24	219025	1	Clamp - Drive Shaft Asy (25 - 30 in. lb. torque)
22	219596		Housing - Fan (W/O Switch Hole)
23	219024	4	Spacer - Fan Housing
24	219025	1	Clamp - Drive Shaft Asy (25 - 30 in. lb. torque)
25	217471	1	Coupling



Ref #	Part Number	Qty	Description
1	218649	1	Wire Asy - Ground
2	219383	1	Wire Asy - Switch
3	216022	2	Screw - M4 x 18.9 (12 - 16 in. lb. torque)
4	219386	1	Ignition Asy (Black)
	219782	1	Ignition Asy (Cream)
5	215533	1	Grommet
6	95266	1	Boot - Spark Plug
7	102556	1	Connector - Spark
8	219951	1	Flywheel
	222308	1	Flywheel





Ref #	Part Number	Qty	Description
1	120041	2	Screw - Hex M5 x 22 (18 - 26 inch pounds torque)
2	217159	2	Nut - Hex M5
3	217442	1	Clamp - Delta Handle
4	217444	1	Handle - Delta
5	217935	2	Screw - 10-24 x .50 (26 - 35 inch pounds torque)
6	218315	2	Nut - "J" Handle
7	215337	2	Clamp - "J" Handle
8	217856	1	"J" Handle/Grip Asy
9	94212	1	Grip
10	218391	1	Clamp Asy
11		4	Screw - M5 x .8 Not available separately. (26 - 35 inch pounds torque)
12		1	Clamp - Top Not available separately.
13		1	Clamp - Centerpiece Not available separately.
14		2	Screw - M6 x 1 Not available separately. (44 - 52 inch pounds torque)
15		1	Clamp - Bottom Not available separately.
16	218327	1	"J" Handle/Barrier/Grip Asy
17	94212	1	Grip

No  
Diagram  
Available  
  
Parts List  
Only

Ref #	Part Number	Qty	Description
	215439		Tool-Piston Driving
	215441		Tool-Clutch Puller
	215443		Plate-Pressure Test
	215444		Gasket-Intake Plate
	215445		Gasket-Exhaust
	217355		Wrench-8/10mm
	216767		Lock-Spindle
	218175		Wrench-9/16" Socket
	222785		Torx Drive T-25 (cylinder)