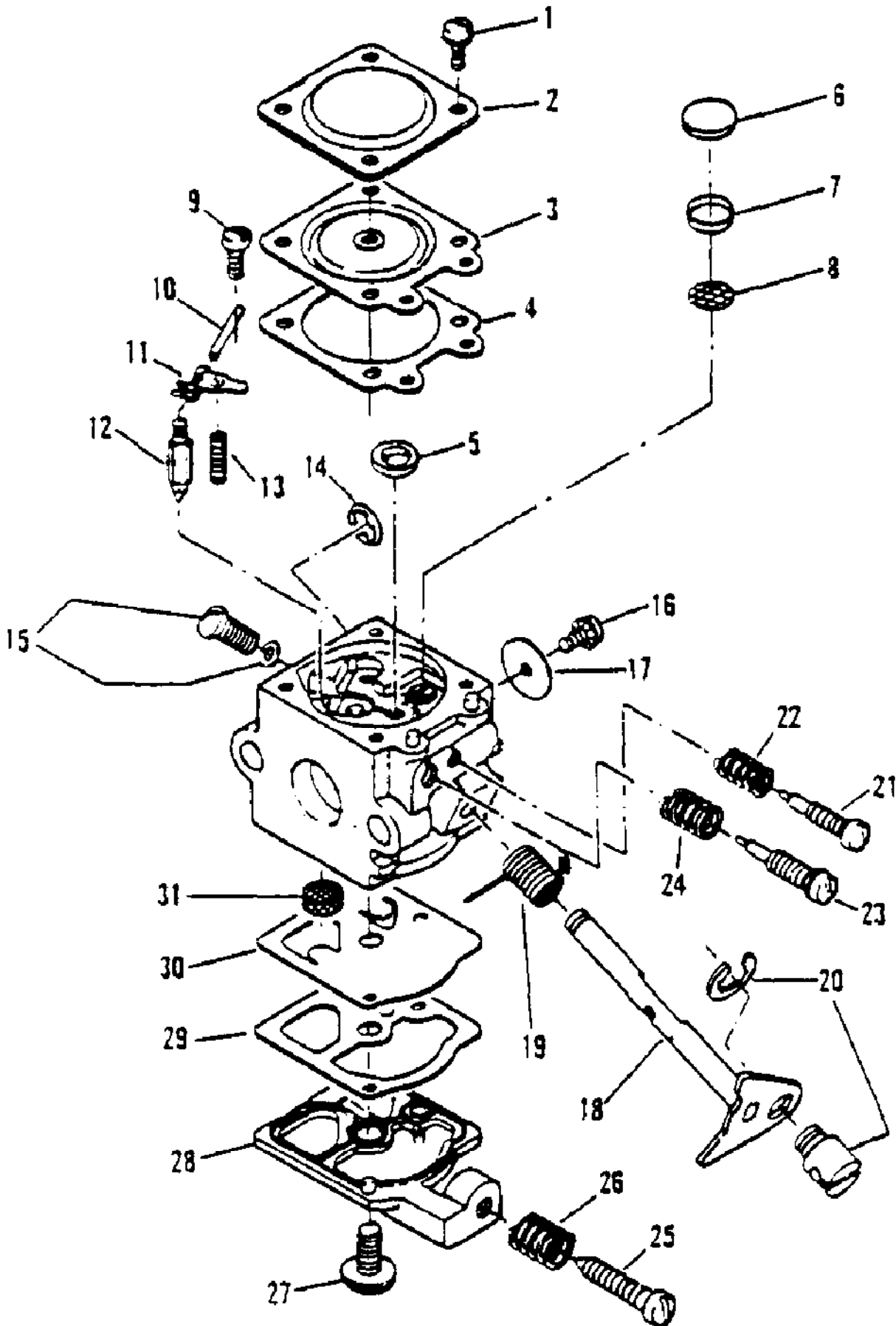


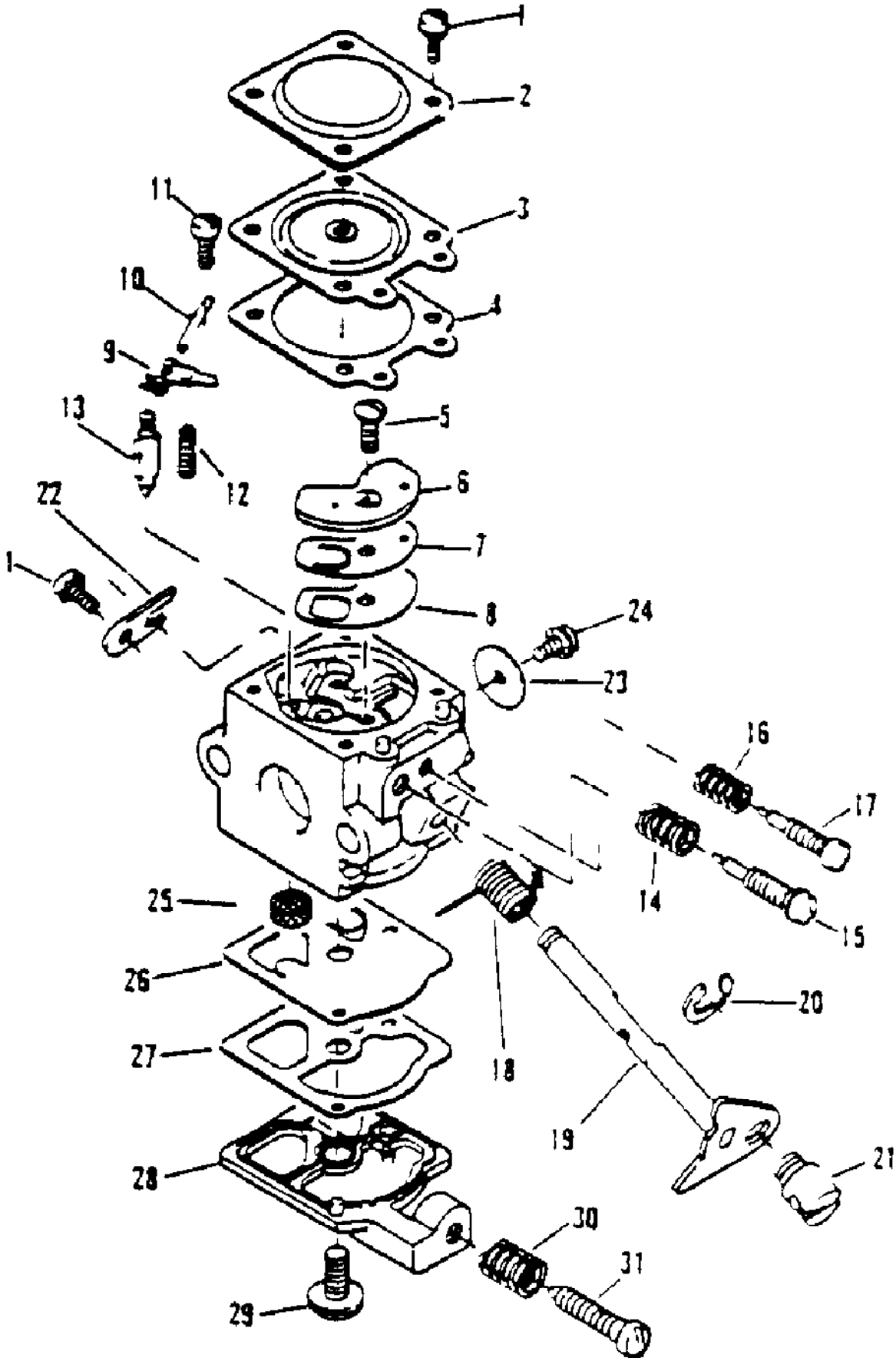
No  
Diagram  
Available  
  
Parts List  
Only

Ref #	Part Number	Qty	Description
	219783		Semi-Auto Head .080 Used on Super Mac 60-S and Super Eager Beaver II-S
	219787		15' Line .080 Used on Super Mac 60-S and Super Eager Beaver II-S
	219785		15' Line on Spool .080 Used on Super Mac 60-S and Super Eager Beaver II-S
	217351-01		1-Lb. Bulk Line .080 Used on Super Mac 60-S and Super Eager Beaver II-S
	217352-01		5-Lb. Bulk Line .080 Used on Super Mac 60-S and Super Eager Beaver II-S
	219784		Semi-Auto Head .095 Used on Super Mac 80-S, Super Mac 85-S, Super Eager Beaver II-S, Super Eager Beaver III-S and Super Eager Beaver Special
	219788		12' Line. 095 Used on Super Mac 80-S, Super Mac 85-S, Super Eager Beaver II-S, Super Eager Beaver III-S and Super Eager Beaver Special
	219786		12' Line on Spool .095 Used on Super Mac 80-S, Super Mac 85-S, Super Eager Beaver II-S, Super Eager Beaver III-S and Super Eager Beaver Special
	216899-01		1-Lb. Bulk Line .095 Used on Super Mac 80-S, Super Mac 85-S, Super Eager Beaver II-S, Super Eager Beaver III-S and Super Eager Beaver Special
	216900-01		5-Lb. Bulk Line .095 Used on Super Mac 80-S, Super Mac 85-S, Super Eager Beaver II-S, Super Eager Beaver III-S and Super Eager Beaver Special
	219149		Spark Arrester Screen Used on Super Mac 60-S, Super Mac 80-S, Super Mac 85-S, Super Eager Beaver I-S, Super Eager Beaver II-S, Super Eager Beaver III-S and Super Eager Beaver Special
	219145		Air Filter Used on Super Mac 60-S, Super Mac 80-S, Super Mac 85-S, Super Eager Beaver I-S, Super Eager Beaver II-S, Super Eager Beaver III-S and Super Eager Beaver Special
	218201		Harness Kit Used on Super Mac 60-S, Super Mac 80-S, Super Mac 85-S, Super Eager Beaver I-S, Super Eager Beaver II-S, Super Eager Beaver III-S and Super Eager Beaver Special
	217869		Debris Shield Kit Used on Super Mac 60-S, Super Mac 80-S, Super Mac 85-S, Super Eager Beaver I-S, Super Eager Beaver II-S, Super Eager Beaver III-S and Super Eager Beaver Special
	218213		4-Tooth Weed/Grass Blade Used on Super Mac 85-S and Super Eager Beaver III-S
	218212		3-Point Plastic Grass Blade Used on Super Mac 85-S and Super Eager Beaver III-S
	218211		3-Point Plastic Blade/Guard Kit Used on Super Mac 85-S and Super Eager Beaver III-S

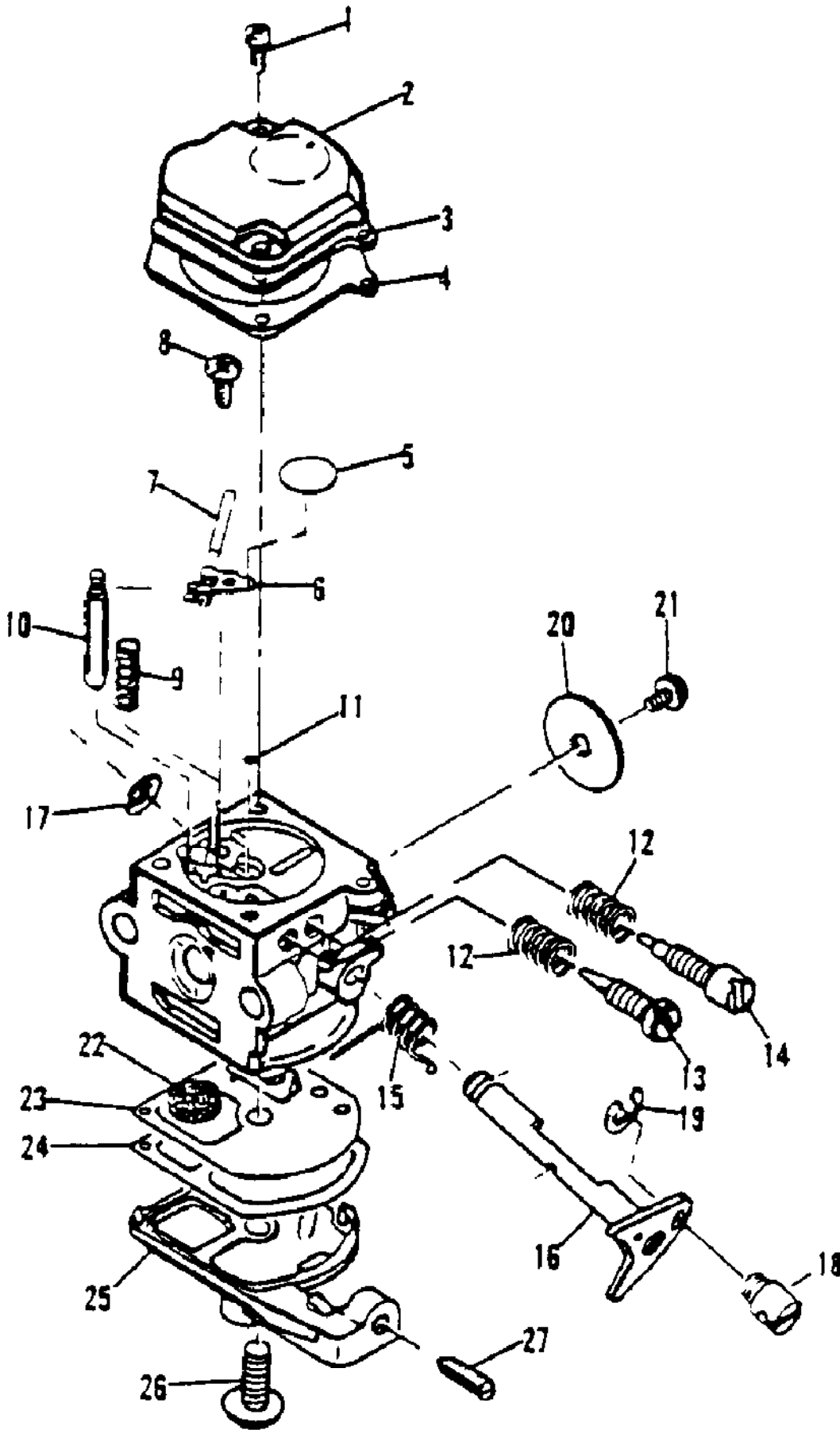
Ref #	Part Number	Qty	Description
	218200		Blade Guard Kit Used on Super Mac 85-S and Super Eager Beaver III-S
	216513		8-Tooth Weed/Grass Blade Used on Super Mac 85-S and Super Eager Beaver



Ref #	Part Number	Qty	Description
	218169		Carburetor - Walbro WT-37
1		4	Screw - Metering Cover Not available separately.
2		1	Cover - Metering Diaphragm Not available separately.
3		1	Diaphragm - Ass'y Metering Not available separately.
4		1	Gasket - Metering Diaphragm Not available separately.
5		1	Plug - Welch Not available separately.
6		1	Plug - Welch Not available separately.
7		1	Ring - Screen Retainer Not available separately.
8		1	Screen - Check Valve Not available separately.
9		1	Screw - Metering Lever Pin Not available separately.
10		1	Pin - Metering Lever Not available separately.
11		1	Lever - Metering Not available separately.
12		1	Valve - Inlet Needle Not available separately.
13		1	Spring - Metering Lever Not available separately.
14		1	Ring - Throttle Shaft Not available separately.
15		1	Governor - Check Valve Not available separately.
16		2	Screw - Shutters Not available separately.
17		1	Shutter - Throttle Not available separately.
18		1	Shaft - Assembly Throttle Not available separately.
19		1	Spring - Throttle Return Not available separately.
20		1	Swivel Assembly Not available separately.
21		1	Needle - Idle Not available separately.
22		1	Spring - Needle Idle Not available separately.
23		1	Spring - High Not available separately.
24		1	Spring - Needle (high) Not available separately.
25		1	Spring - Idle Adjust Not available separately.
26		1	Spring - Idle Screw Not available separately.
27		1	Screw - Pump Cover Not available separately.
28		1	Cover - Fuel Pump Not available separately.
29		1	Gasket - Fuel Pump Not available separately.
30		1	Diaphragm - Fuel Pump Not available separately.
31		1	Screen - Fuel Inlet Not available separately.
	218981		Repair Kit
	218982		Gasket/Diaphragm Kit

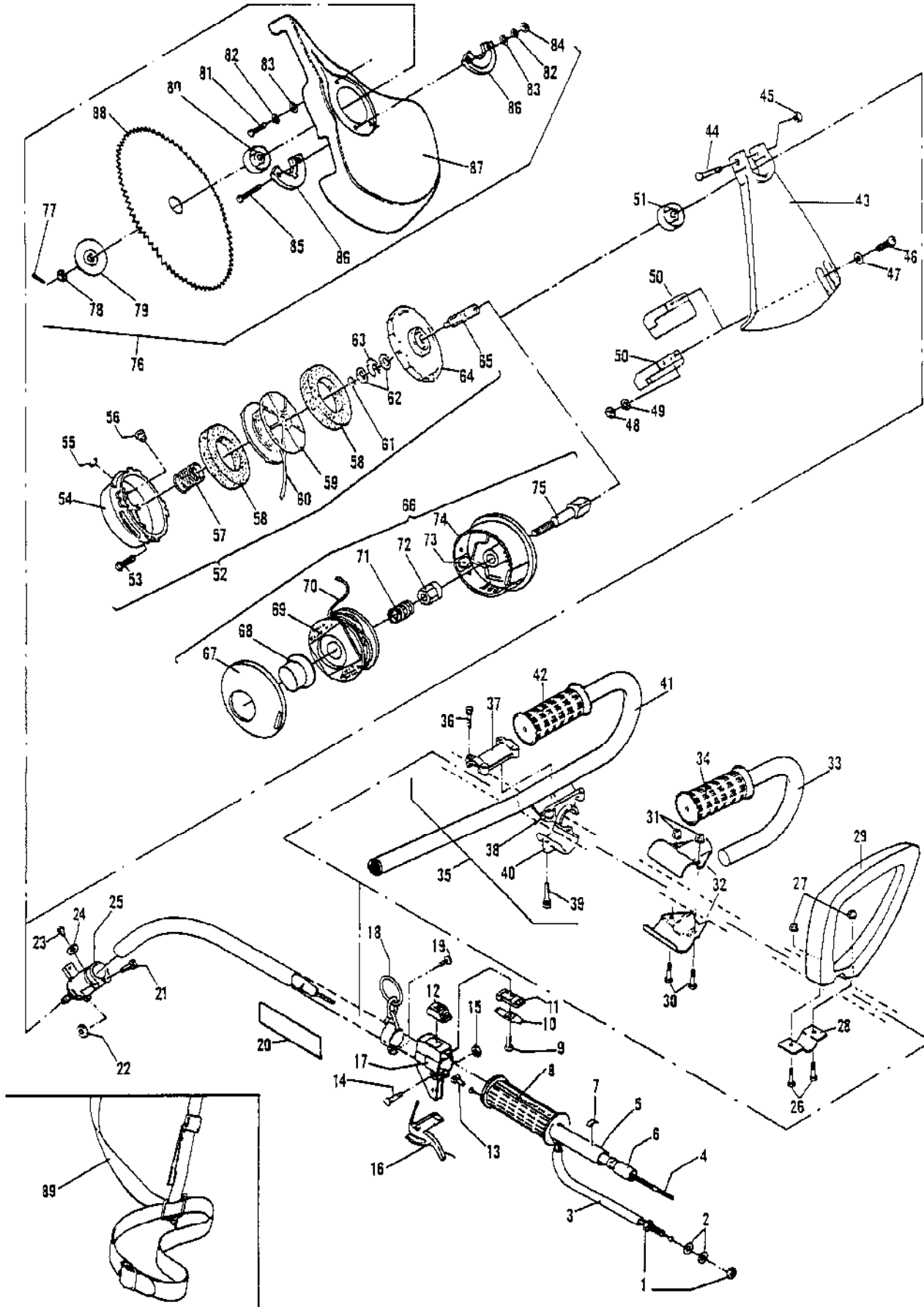


Ref #	Part Number	Qty	Description
	215494	1	CARBURETOR (WA-146)
1		1	SCREW - COVER Not available separately.
2		1	COVER - DIAPHRAGM Not available separately.
3		1	DIAPHRAGM - METERING Not available separately.
4		1	GASKET - DIAPHRAGM Not available separately.
5		1	SCREW - CIRCUIT PLATE Not available separately.
6		1	PLATE - CIRCUIT Not available separately.
7		1	DIAPHRAGM - CIRCUIT PLATE Not available separately.
8		1	GASKET - CIRCUIT PLATE Not available separately.
9		1	LEVER - METERING Not available separately.
10		1	PIN - LEVER Not available separately.
11		1	SCREW - LEVER PIN Not available separately.
12		1	SPRING - LEVER Not available separately.
13		1	VALVE - INLET & NEEDLE Not available separately.
14		1	SPRING - HIGH SPEED NEEDLE Not available separately.
15		1	NEEDLE - HIGH SPEED Not available separately.
16		1	SPRING - IDLE NEEDLE Not available separately.
17		1	NEEDLE - IDLE Not available separately.
18		1	SPRING - THROTTLE RETURN Not available separately.
19		1	SHAFT - THROTTLE Not available separately.
20		1	CLIP Not available separately.
21		1	SWIVEL Not available separately.
22		1	CLIP - THROTTLE SHAFT Not available separately.
23		1	VALVE - THROTTLE Not available separately.
24		1	SCREW - THROTTLE VALVE Not available separately.
25		1	SCREEN - INLET Not available separately.
26		1	DIAPHRAGM - FUEL PUMP Not available separately.
27		1	GASKET - FUEL PUMP Not available separately.
28		1	COVER - FUEL PUMP Not available separately.
29		1	SCREW - PUMP COVER Not available separately.
30		1	SPRING - IDLE SCREW Not available separately.
31		1	SCREW - IDLE ADJUSTING Not available separately.
	217111		Major Repair Kit
	217110		Minor Repair Kit





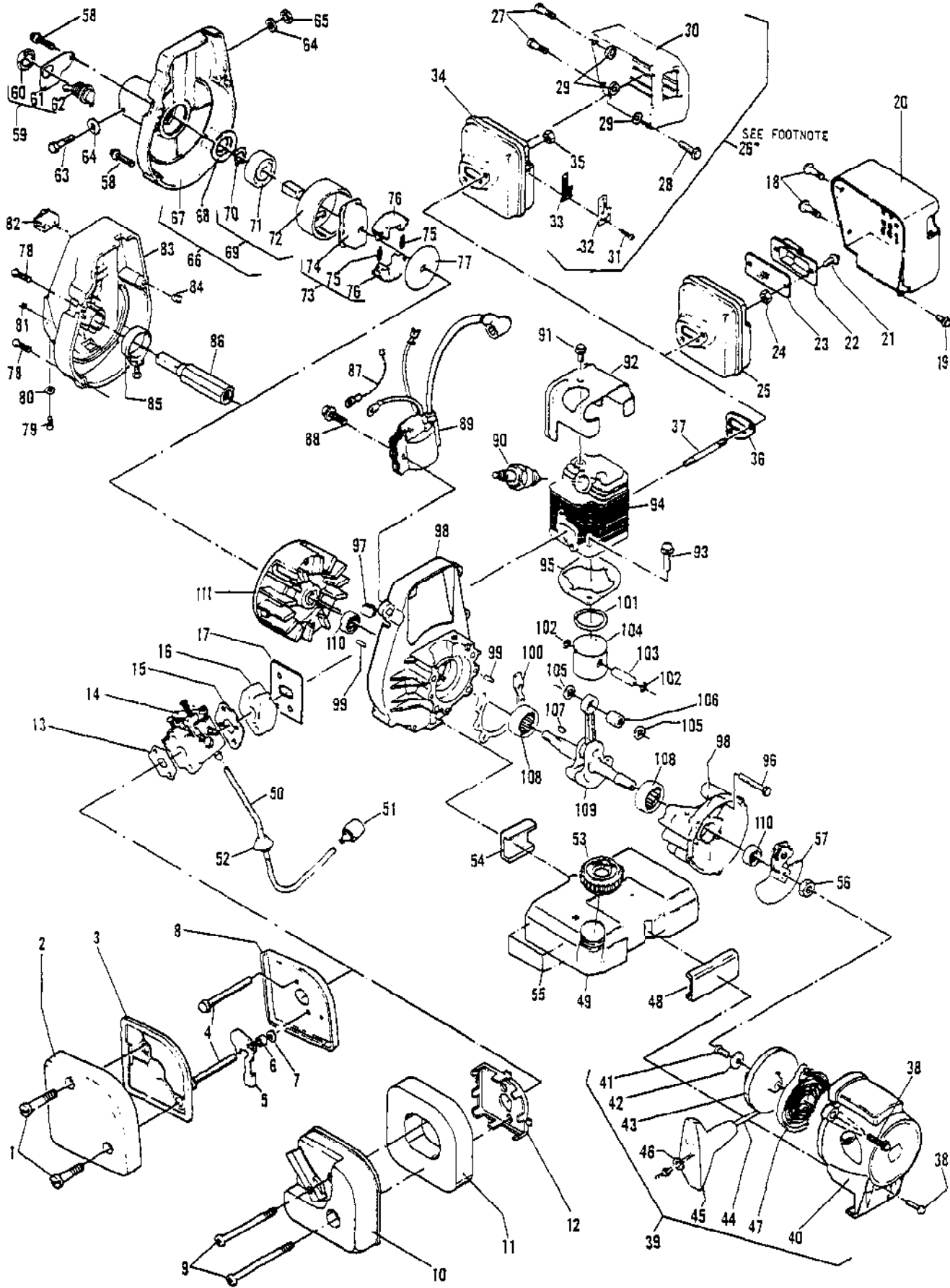
Ref #	Part Number	Qty	Description
	215494-01		CARBURETOR ASY. (ZAMA C1S-M8)
1		2	SCREW - COVER Not available separately.
2		1	CAP - MAIN Not available separately.
3		1	DIAPHRAGM - MAIN Not available separately.
4		1	GASKET - MAIN Not available separately.
5		1	DISK Not available separately.
6		1	ARM - NEEDLE VALVE Not available separately.
7		1	PIN - ARM Not available separately.
8		1	SCREW - PIN Not available separately.
9		1	SPRING - ARM Not available separately.
10		1	VALVE - NEEDLE Not available separately.
11		1	PLUG - WELCH Not available separately.
12		2	SPRING - NEEDLE Not available separately.
13		1	NEEDLE - HIGH SPEED Not available separately.
14		1	NEEDLE - IDLE Not available separately.
15		1	SPRING - THROTTLE RETURN Not available separately.
16		1	SHAFT ASSEMBLY - THROTTLE Not available separately.
17		1	"E" RING Not available separately.
18		1	POST Not available separately.
19		1	"E" RING Not available separately.
20		1	VALVE - THROTTLE Not available separately.
21		1	SCREW - THROTTLE VALVE Not available separately.
22		1	STRAINER Not available separately.
23		1	DIAPHRAGM - FUEL PUMP Not available separately.
24		1	GASKET - PUMP Not available separately.
25		1	COVER - FUEL PUMP Not available separately.
26		1	SCREW - PUMP COVER Not available separately.
27		1	SCREW - IDLE ADJUSTING Not available separately.
	218071		Major Repair Kit
	218073		Minor Repair Kit



Ref #	Part Number	Qty	Description
1	217403	2	Nut - Throttle Cable (18-26 inch pounds torque)
2	216596	2	Washer - Throttle Cable
3	217360	1	Cable - Throttle
	215306	1	Harness - Throttle Cable/Wire Assembly
4	218285	1	Shaft - Flexible Drive 44"
	215324	1	Shaft - Flexible Drive 48"
	218326	1	Shaft - Flexible Drive 54"
5	219561	1	Housing Asy - Outer 44"
	217361	1	Housing Asy - Outer 48"
	217362	1	Housing Asy - Outer 54"
6	218282	1	Sleeve (For 44" Shaft)
	217366	1	Sleeve (For 48" Shaft)
	217367	1	Sleeve (For 54" Shaft)
7	216603	1	Decal - Position
8	218376	1	Grip - Solid Rubber
	215322	1	Grip - Waffle Design
9	110706	1	Screw - Switch 9-18 x .50
10	215320	1	Contact - Switch (Stop)
11	215319	1	Base - Switch (Stop)
12	68846	1	Suction - Switch (Stop)
13	215323	1	Guide - Throttle Cable
14	216027	1	Screw - Trigger Housing
15	217159	1	Nut - Trigger Housing
16	215318	1	Trigger - Throttle
17	217337	1	Trigger Hsg W/O Switch Hole
	215317	1	Trigger Hsg With Switch Hole
18	218001	1	Ring Asy - Harness
19		1	Bolt - Ring Not available separately.
20	218295	1	Decal - Warning (For String Trimmer Only)
	219030	1	Decal - Warning (For String Trimmer/Brush Cutter Only)
21	217937	1	Screw - 10-24 x 1
22	218315	1	Nut
23	215874	1	Screw - M4 x 9.5 Torx
24	217672	1	Washer - M4 Flat
25	218283	1	Spindle Asy (For Use With String Trimmer Only)
	218241	1	Spindle Asy (For Use With String Trimmer/Brush Cutter Only)
26	120041	2	Screw - Delta Handle (18-26 inch pounds torque)
27	217159	2	Nut - Delta Handle M5
28	217442	1	Clamp - Delta Handle
29	217444	1	Handle - Delta
30	217935	2	Screw - "J" Handle (26-35 inch pounds torque)
31	218315	2	Nut - "J" Handle
32	215337	2	Clamp - "J" Handle
33	217856	1	"J" Handle/Grip Asy
34	94212	1	Grip
35	218391	1	Clamp Asy - "J" Handle/Barrier Pole
36		4	Screw - M5 x .8 Not available separately. (26-35 inch pounds torque)
37		1	Clamp - Top Not available separately.
38		1	Clamp - Centerpiece Not available separately.

Ref #	Part Number	Qty	Description
39		2	Screw - M6 x 1 Not available separately. (44-52 inch pounds torque)
40		1	Clamp - Bottom Not available separately.
41	218327	1	"J" Handle/Barrier/Grip Asy
42	94212	1	Grip
43	217869	1	Shield - Grass
44	216595	1	Screw - Shield
45	215871	1	Nut - Shield (18-26 inch pounds torque)
46	217936	2	Screw - Knife 10-25 x .75
47	110582	2	Washer - Flat
48	218315	2	Nut - Hex
49	103174	2	Washer - Lock
50	218516	1	Knife
	216587	1	Knife
51	218214	1	Collar (For Use With String Head Only)
52	217353	1	Head Asy - String - .080
	216821	1	Head Asy - String - .095
53	218829	1	Screw - Locking
54	217626-01	1	Hub Assembly
55	217625	1	Ring - Retaining
56	217624	1	Eyelet
57	217622	1	Spring - Compression
58	217619	2	Pad - Foam
59	217350	1	Spool With 40Ft Of .080 Line
	216820		Spool With 30Ft Of .095 Line
60	217696	1	Line - 40Ft (.080)
	216898	1	Line - 40Ft (.095)
61	217618	1	Ring - Retaining
62	217616	2	Washer
63	217617	1	Ring - Retaining
64	217615	1	Plate - Rear
65	217614	1	Drive - Adaptor
66	219783	1	String Head With 15 Ft. Of .080 Line
	219784	1	String Head With 12 Ft. Of .095 Line
67	219765	1	Cover
68	219764	1	Button - Bump Feed
69	219785	1	Spool With 15 Ft. Of .080 Line
	219786	1	Spool with 12 Ft. Of .095 Line
70	219787	1	Line - 15Ft (.080)
	219788	1	Line - 12Ft (.095)
71	219761	1	Spring
72	219760	1	Nut
73	219759	2	Eyelet
74	219758	1	Housing
75	219757	1	Drive - Adaptor
76	218200	1	Kit - Blade Guard
77	218159	1	Pin - Cotter
78	218330		Nut - Locking
79	218075	1	Flange
80	218094		Collar (For Use With Blade Only)
81	217935	1	Screw - 10-24 x .50 Torx (18-26 inch pounds torque)
82	103174	3	Washer - Lock
83	110582	3	Washer - Flat
84	218315	2	Nut
85	217936	2	Screw - 10" 24 x .75 Torx (18-26 inch pounds torque)

Ref #	Part Number	Qty	Description
86	218165	2	Clamp - Guard
87	218329	1	Guard - Blade
88	216514	1	Blade - Metal 80 Tooth
89	218158	1	Harness



Ref #	Part Number	Qty	Description
1	217669	2	Screw-Air Filter Cover (6-9 inch pound torque)
2	215988	1	Cover-Air filter
3	217376	1	Filter-Air
4	216903	2	Screw-Carburetor M5 x 55 (18-25 inch pounds torque)
5	215991	1	Shutter-Choke
6	215993	1	Spacer-Shutter
7	216591	1	Washer-Flat M5
8	216108	1	Airbox/Grommet Asy
9	219078	2	Screw-Choke Cover (18-23 inch pounds torque)
10	219098	1	Cover Assembly-Choke
11	219145	1	Filter-Air (foam)
12	219144	1	Box-Air
13	216226	1	Gasket-Air Box/Carburetor
14		1	Carburetor See "Carburetor Assembly (Zama C1S-M8) and (WA-146)" illustrations and parts lists.
15	218933	1	Gasket-Carb./Insulator
16	219070	1	Insulator-Carb./C'Case
17	216575	1	Gasket-Insulator/C'Case
18	216025	2	Screw-Muffler Shield M4 x 8 (13-15 inch pounds torque)
19	216022	1	Screw-Muffler Shield (13-15 inch pounds torque)
20		1	Shield-Muffler (Flocked) Not available separately.
21	216025	2	Screw-Spark Arrester Cover (12-16 inch pounds torque)
22	217318	1	Cover-Spark Arrester Screen
23	215516	1	Screen-Spark Arrester
24	217275	2	Nut-Flange M5 (41-51 inch pounds torque)
25	215506	1	Muffler Assembly
26	219963	1	Kit Muffler/Shield Asy
27	219508	2	Screw-Muffler Shield (13-15 inch pounds torque)
28	217669	1	Screw-Shield/Starter (12-16 inch pounds torque)
29	219079	3	Spacer-Muffler
30	218962	1	Shield-Muffler (Plastic)
31	219194	2	Screw-Spark Arrester Cover (12-16 inch pounds torque)
32	219150	1	Cover-Spark Arrester Screen
33	219149	1	Screen-Spark Arrester
34	219152	1	Muffler Assembly
35	217275	2	Nut-Muffler M5 (41-50 inch pounds torque)
36	215515	1	Gasket-Muffler
37	215517	2	Stud-Muffler/Cylinder
38	216022	2	Screw-Starter (13-15 inch pounds torque)
39	217388	1	Starter Assembly
	219590	1	Starter Assembly
40	217389	1	Housing/Guide Asy
41	215874	1	Screw-Drum M4 x 9.50 (18-21 inch pounds torque)
42	216590	1	Washer-M4 Flat
43	216092	1	Drum/Rope Asy.
44	216093	1	Rope-Starter
45	216792	1	Handle-Starter
46	218941	1	Washer-Nylon
47	217482	1	Spring-Starter

Ref #	Part Number	Qty	Description
48	217382	1	Cushion-Starter/Fuel Tank
49	217387	1	Fuel Tank/Hose Asy.
50	217264	1	Hose-Fuel
51	216985	1	Pickup-Fuel
52	215495	1	Grommet
53	216346	1	Cap-Fuel
54	217390	1	Cushion-C'Case/Fuel Tank
55	217383	1	Decal-40.1
56	216583	1	Nut-Starter Ratchet (149-176 inch pounds torque)
57	215525	1	Ratchet Asy. (Hand Tighten Only)
58	213177	1	Screw-Fan Hsg. M4 x 18.50
59	219279	4	Switch/Plate Asy.
60	104810	1	Nut-Switch
61	217381	1	Plate-Switch
62	217648	1	Switch-Toggle
63	217158	1	Screw-Fan Hsg./Drive Shaft
64	216591	2	Washer-Flat 15
65	217159	1	Nut-Hex M5 (35-43 inch pounds torque)
66	218057	1	Housing Asy-Fan
67	217533	1	Housing-Fan
68	215534	1	Plate-Thrust
69	218065	1	Drum Asy-Clutch
70	213186	1	Ring-Retaining
71	213187	1	Bearing-Ball
72	218063	1	Drum-Clutch
73	216060	1	Clutch Assembly
74	215536	1	Rotor-Clutch
75	215537	2	Spring-Clutch
76		2	Shoe-Clutch Not available separately.
77	215539	1	Plate-Side
78	219508	4	Screw-Fan Housing
79	215874	1	Screw-Drive Shaft Locating (9.8-12.5 In. Lb. Torque)
80	217672	1	Washer
81	219558	1	Nut-Square
82	218648	1	Switch
83	219595	1	Housing-Fan (W/Switch Hole)
	219596	1	Housing-Fan (W/O Switch Hole)
84	219024	4	Spacer-Fan Housing
85	219025	1	Clamp-Fan Hsg./Drive Shaft (25-30 In. Lb. Torque)
86	217477	1	Coupling
87	218649	1	Wire Asy-Ground
88	213177	2	Screw-Ignition (12-16 inch pounds torque)
89	217439	1	Ignition-Wabash
90	62345	1	Spark Plug (105-130 inch pounds torque)
91	213178	1	Screw-Cylinder Cover (15-25 inch pounds torque)
92	215540	1	Cover-Cylinder
93	217320	2	Screw-Cylinder M6 x 13 (70-80 inch pounds torque)
94	217296	1	Cylinder
95	215542	1	Gasket-Cylinder/C'Case
96	213179	4	Screw-C'Case Halves (35-40 inch pounds torque)
97	215541	1	Grommet
98	217373	1	Crankcase Asy.
	218185	1	Crankcase Asy.
99	213191	4	Pin
100	215545	1	Gasket-Crankcase



Ref #	Part Number	Qty	Description
101	217475	1	Ring-Piston
102	216343	2	Ring-Snap
	111026	2	Ring-Snap
103	215551	1	Pin-Wrist
	218275	1	Pin-Wrist
104	217295	1	Piston
	218273	1	Piston
105	213196	2	Washer
106	213195	1	Bearing-Piston Pin
	110984	1	Bearing-Piston Pin
107	102164	1	Key-Flywheel
108	216143	2	Bearing-C'Shaft (Ball)
	213282	2	Bearing-C'Shaft (Roller)
109	216444	1	Crankshaft/Con Rod Asy.
	218106	1	Crankshaft/Con Rod Asy.
110	216500	2	Seal-Crankshaft
	83859	2	Seal-Crankshaft
111	217378	1	Flywheel Asy.

No  
Diagram  
Available  
  
Parts List  
Only

Ref #	Part Number	Qty	Description
	93770		Lubricant, Case 6-Ounce Cans
	85707		Lubricant, Case 16-Ounce Cans
	85709		Lubricant, Case 1 Quart Bottles