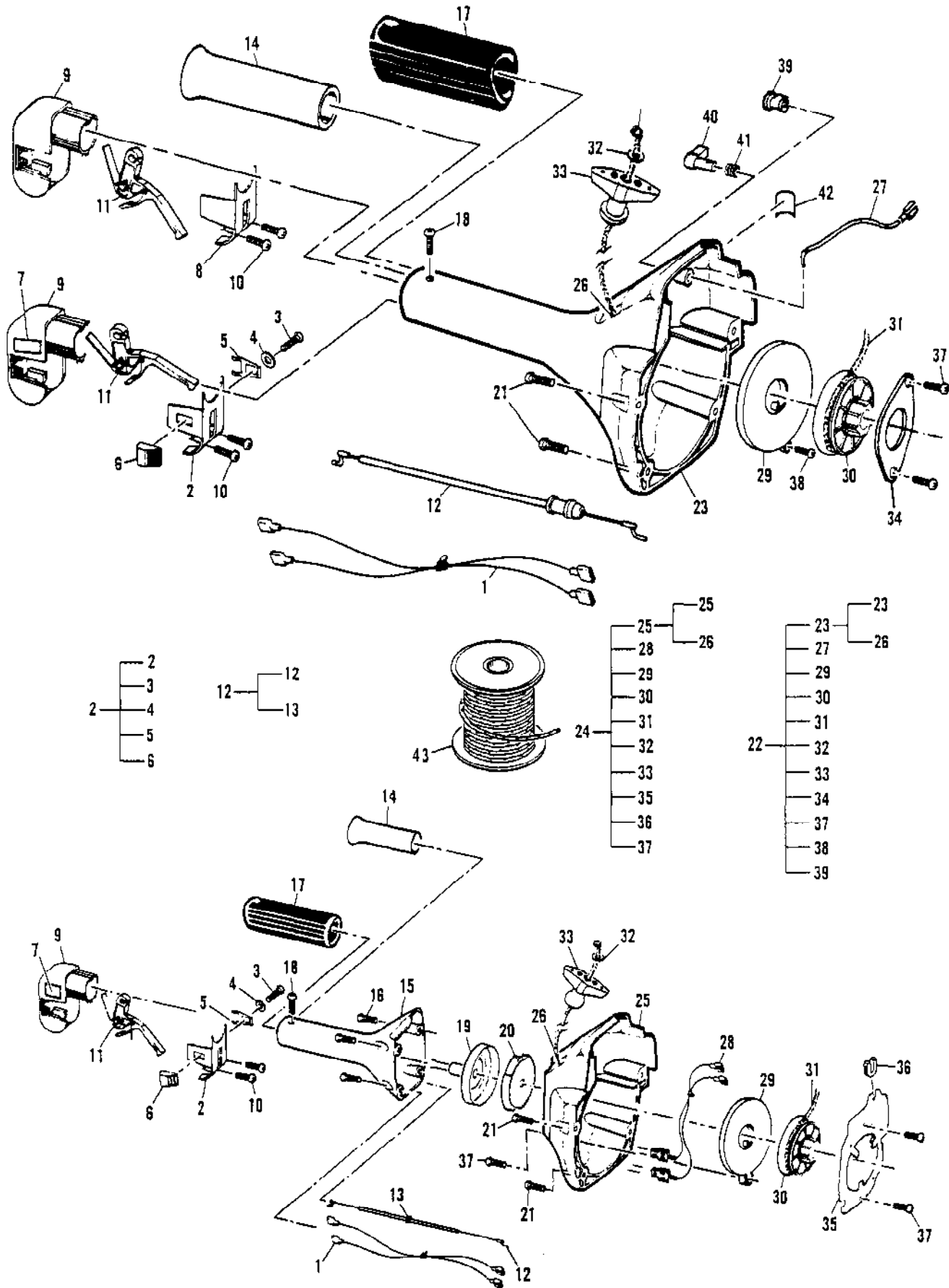
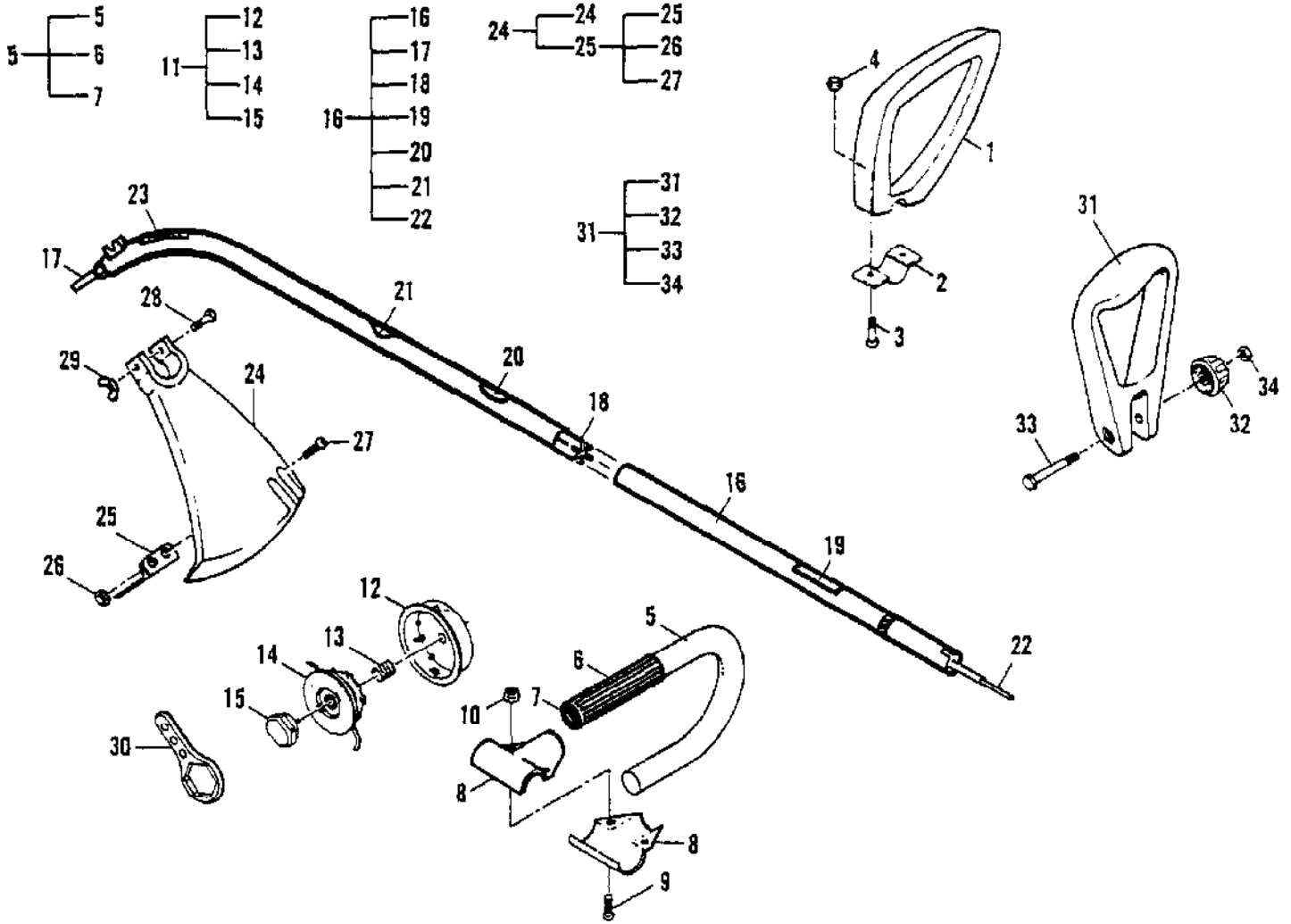


| Ref # | Part Number | Qty | Description                        |
|-------|-------------|-----|------------------------------------|
|       | 224033-02   |     | Carburetor w/Choke, Walbro WT-231A |
|       | 224033-01   | 1   | Carburetor w/Choke, Zama M29       |
| 1     |             | 1   | Ring, Screen Retainer              |
| 2     |             | 1   | Ring, Shaft Retainer               |
| 3     |             | 1   | Lever, Throttle                    |
| 4     |             | 1   | Cover, Metering Lever              |
| 5     | 300456      | 1   | Cover, Fuel Pump                   |
|       | 300072      | 1   | Cover, Fuel Pump                   |
| 6     |             | 1   | Shaft Assembly, Throttle           |
| 7     |             | 1   | Valve, Throttle                    |
| 8     |             | 1   | Shaft Assembly, Choke              |
| 9     |             | 1   | Valve, Choke                       |
| 10    |             | 1   | Valve, Inlet Needle                |
| 11    |             | 1   | Seat Assembly, Check Valve         |
| 12    |             | 1   | Plug, Cup 5mm                      |
| 13    |             | 1   | Plug, Welch 5/16                   |
| 14    |             | 1   | Ball, Choke Friction               |
| 15    |             | 1   | Gasket, Metering Diaphragm         |
| 16    |             | 1   | Gasket, Fuel Pump                  |
| 17    |             | 1   | Diaphragm, Fuel Pump               |
| 18    |             | 1   | Diaphragm Assembly, Metering       |
| 19    |             | 3   | Screw, Valve                       |
| 20    |             | 1   | Screw, Metering Lever Pin          |
| 21    |             | 1   | Screw, Pump Cover                  |
| 22    |             | 1   | Screw, Idle Adjust Kit             |
| 23    |             | 4   | Screw, Metering Cover              |
| 24    |             | 1   | Spring, Choke Friction             |
| 25    |             | 1   | Spring, Idle Needle                |
| 26    |             | 1   | Spring, High Speed Needle          |
| 27    |             | 1   | Spring, Throttle Return            |
| 28    |             | 1   | Spring, Metering Lever             |
| 29    |             | 1   | Needle, High Speed                 |
| 30    |             | 1   | Needle, Idle                       |
| 31    |             | 1   | Screen, Check Valve                |
| 32    |             | 1   | Screen, Fuel Inlet                 |
| 33    |             | 1   | Pin, Metering Lever                |
| 34    |             | 1   | Lever, Metering                    |
|       | 300457      |     | Kit, Carburetor Repair (Walbro)    |
|       | 224460      |     | Kit, Gasket/Diaphragm (Walbro)     |
|       | 322363      |     | Kit, Choke Lever(Walbro)           |
|       | 300454      |     | Kit, Carburetor Repair (Zama)      |
|       | 300473      |     | Kit, Gasket/Diaphragm (Zama)       |
|       | 322358      |     | Kit, Choke Lever (Zama)            |



| Ref # | Part Number | Qty | Description   |
|-------|-------------|-----|---|
| 1     | 301133      | 1   | Wire Assembly, Switch   |
|       | 301135      | 1   | Wire Assembly, Switch   |
| 2     | 300064      | 1   | Cover Assembly, Switch  |
| 3     | 111069      | 1   | Screw, 8-16 x .375 Plastite   |
| 4     | 105497      | 1   | Washer, Flat (.180 ID max)  |
| 5     | 224246      | 1   | Contact, Switch   |
| 6     | 224245      | 1   | Button, Stop Switch   |
| 7     | 322081      | 1   | Label, ON/OFF Switch  |
| 8     | 224914      | 1   | Cover, Switch Housing   |
| 9     | 224234      | 1   | Trigger Housing Assembly 22mm                                       |
| 10    | 111061      | 2   | Screw, 6-19 x .62FL HD Plast  |
| 11    | 300361      | 1   | Trigger, Throttle   |
| 12    | 300149      | 1   | Throttle Cable Assembly, Non-clutch                                 |
|       | 300372      | 1   | Throttle Cable Assembly   |
| 13    | 111074      | 1   | Nut, Speed .188 ID  |
| 14    | 322234      | 1   | Sleeve, Protecting  |
| 15    | 224912      | 1   | Housing, Clutch (Yellow) 7/8"                                       |
| 16    | 224919      | 4   | Screw, 10-14 x 1.0 PN HD  |
| 17    | 322140      | 1   | Grip  |
| 18    | 111070      | 1   | Screw, 12-11 x .5 PN HD TORX  |
| 19    | 224045      | 1   | Drum Assembly, Clutch   |
| 20    | 300459      | 1   | Kit, Clutch   |
| 21    | 111054      | 4   | Screw, 10-24 x .625   |
| 22    | 300979      | 1   | Kit, Starter Asy. w/plug (Grey)                                     |
| 23    | 300980      | 1   | Housing, Starter/Guide, Rope  |
|       | 300118      | 1   | Starter Asy (Yellow) w/plug   |
|       | 300621      | 1   | Housing, Starter/Guide, Rope  |
| 24    | 224916      | 1   | Starter Asy (Yellow)  |
| 25    | 300616      | 1   | Housing, Starter/Guide, Rope  |
| 26    |             | 1   | Guide, Rope   |
| 27    | 222926      | 1   | Wire Assembly - Switch  |
| 28    | 301134      | 1   | Wire Assembly - Starter Housing                                     |
| 29    | 300475      | 1   | Package, Spring Assembly  |
| 30    | 300872      | 1   | Drum/Rope Assembly  |
| 31    | 222869      | 1   | Rope, Starter (46")   |
| 32    | 218941      | 1   | Washer, Nylon   |
| 33    | 216792      | 1   | Handle, Starter   |
| 34    | 322362      | 1   | Pulley Retainer DD  |
| 35    | 224927      | 1   | Plate, Baffle CD  |
| 36    | 215533-01   | 1   | Grommet, H/T Lead   |
| 37    | 223357      | 2   | Screw, 8-16 Plastite  |
|       | 223357      | 3   | Screw, 8-16 Plastite  |
| 38    | 322027      | 1   | Screw, Spring Retainer  |
| 39    | 300119      | 1   | Plug (Switch Cover)   |
| 40    | 222914      | 1   | Button, Stop For models 12400128-03, 12400128-17<br>and 12400132-01 |
| 41    | 222913      | 1   | Spring, Stop Button   |
| 42    | 211243      | 1   | Label, Push and Hold  |
| 43    | 300415      | 1   | Rope, Bulk  |



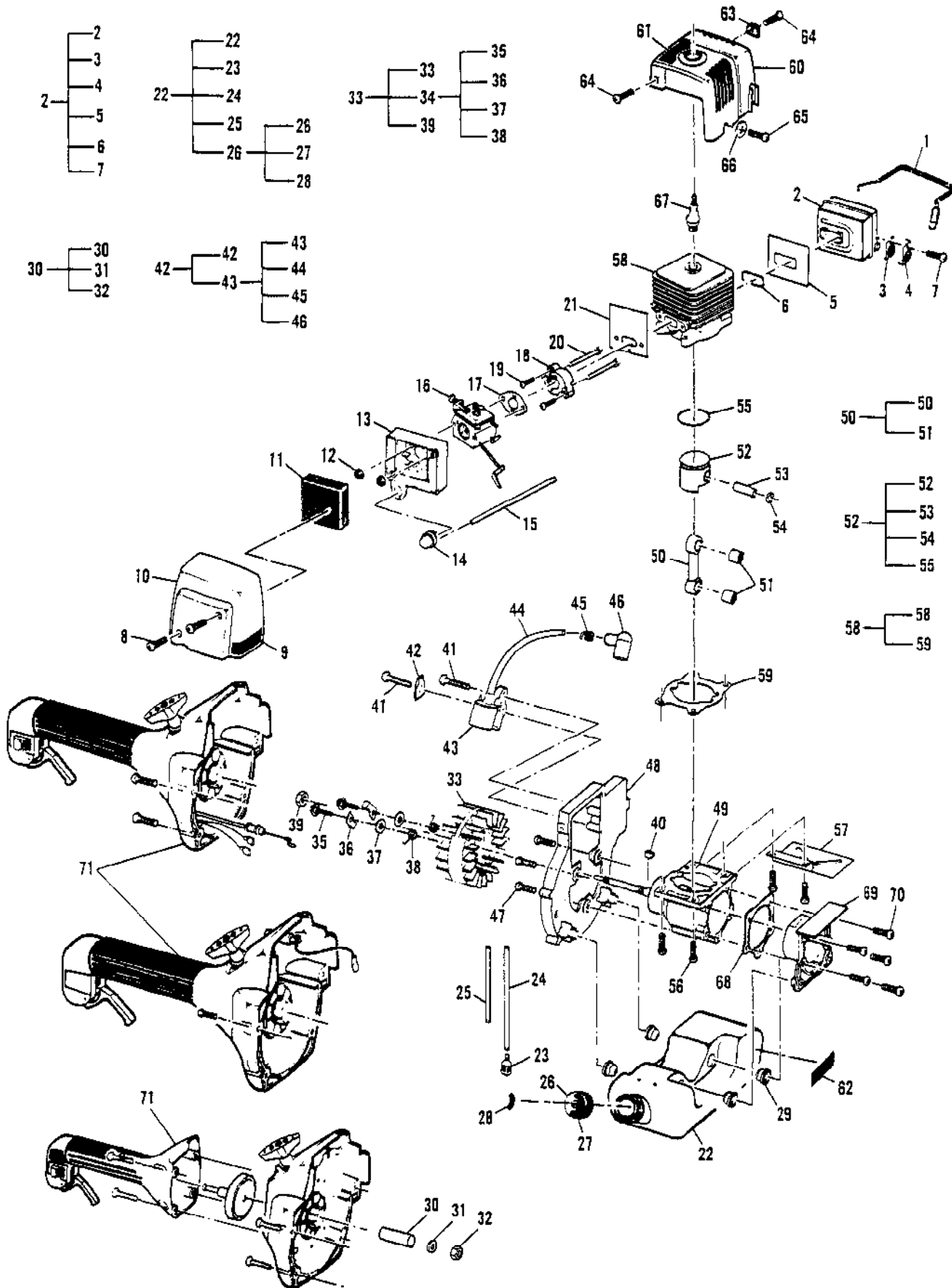
| Ref # | Part Number | Qty | Description                       |
|-------|-------------|-----|-----------------------------------|
| 1     | 217444      | 1   | Handle, Delta                     |
| 2     | 217442      | 1   | Clamp, Handle                     |
| 3     | 120041      | 2   | Screw, M5 x .8 x 22 Hex           |
| 4     | 217159      | 2   | Nut, Hex M5                       |
| 5     | 300540      | 1   | Handle 'J'/Grip Asy               |
| 6     | 322139      | 1   | Grip                              |
| 7     | 218328      | 1   | Plug, Tubing                      |
| 8     | 215337      | 2   | Clamp, Handle                     |
| 9     | 217935      | 2   | Screw, TR 10-24 x .50 TORX        |
| 10    | 218315      | 2   | Nut                               |
| 11    | 300651      | 1   | Kit, Stringhead -Sml-             |
| 12    | 322025      | 1   | Housing/Eyelet Asy. w/Collar      |
| 13    | 322626      | 1   | Spring, McC St/Head               |
| 14    | 300688      | 1   | Kit, Line on Spool(M-Sm)          |
| 15    | 300736      | 1   | Kit, Knob Asy-Sml                 |
| 16    | 300429      | 1   | Housing Assembly, Outer (44")     |
| 17    |             | 1   | Spindle Not available separately. |
| 18    |             | 1   | Sleeve Not available separately.  |
| 19    | 218295      | 1   | Decal, Warning                    |
| 20    | 223407      | 1   | Decal, Eye/Ear Cover              |
| 21    | 211214      | 1   | Decal, Warning(15m)               |
| 22    | 218285      | 1   | Shaft, Flex                       |
|       | 300424      | 1   | Housing Assembly, Outer (48")     |
|       |             | 1   | Spindle Not available separately. |
|       | 218295      | 1   | Decal, Warning                    |
|       | 223407      | 1   | Decal, Eye/Ear Cover              |
|       | 211214      | 1   | Decal, Warning (15m)              |
|       | 215324      | 1   | Shaft, Flex                       |
| 23    | 322099      | 1   | Label, Debris Shield Warning      |
| 24    | 224062      | 1   | Shield Assembly, Grass 17"        |
| 25    | 300626      | 1   | Kit, Knife                        |
| 26    | 216682      | 2   | Nut, Lock 10 24 Hex               |
| 27    | 217935      | 2   | Screw, 10-24 x .50 Torx           |
| 28    | 216595      | 1   | Screw, M6 x 1.0 Hex               |
| 29    | 111102      | 1   | Nut, Wing M6 x 1.0                |
| 30    | 322344      | 1   | Wrench, Stringhead                |
| 31    | 300834      | 1   | Kit, Handle Assembly              |
| 32    | 322719      | 1   | Knob                              |
| 33    | 09075-99    | 1   | Bolt, 1/4-20 x 2 1/2              |
| 34    | 13035-99    | 1   | Nut, 1/4-20 x .226T               |

No  
Diagram  
Available  
  
Parts List  
Only

## Loctite Kit

| Ref # | Part Number | Qty | Description                   |
|-------|-------------|-----|-------------------------------|
|       | 322235      |     | LOCTITE KIT                   |
|       | 322236      |     | RETAINING COMPOUND 620 (10ml) |
|       | 322237      |     | THREAD LOCKER 242 (10ml)      |
|       | 322238      |     | GASKET ELIMINATOR 518 (50ml)  |
|       | 322239      |     | BLACK MAX ADHESIVE 380 (1 oz) |





## Powerhead Assembly

| Ref # | Part Number | Qty | Description   |
|-------|-------------|-----|---|
| 1     | 224044      | 1   | Spring, Muffler   |
| 2     | 300628      | 1   | Kit, Muffler  |
| 3     | 224040      | 1   | Screen, Spark Arrester  |
| 4     | 322032      | 1   | Cover, Spark Arrester   |
| 5     | 224228      | 1   | Gasket, Muffler   |
| 6     | 224922      | 1   | Gasket, Exhaust Port  |
| 7     | 111072      | 1   | Screw, 8-18 x .31 PN HD SL Torx   |
| 8     | 111055      | 2   | Screw, 10-14 x .625   |
| 9     | 322478      | 1   | Label, Choke (Horizontal)   |
| 10    | 224236      | 1   | Cover, Air Cleaner-Large (Blk)  |
|       | 300302      | 1   | Cover, Air Cleaner-Large (Grey)   |
| 11    | 224239      | 1   | Filter, Air   |
| 12    | 111058      | 2   | Nut, 10-24 Hex / Flange   |
| 13    | 224238      | 1   | Box, Air (Blk)  |
|       | 300301      | 1   | Box, Air (Grey)   |
| 14    | 224242-01   | 1   | Primer, Remote  |
| 15    | 225163      | 1   | Hose, Fuel Return   |
| 16    |             | 1   | CARBURETOR W/CHOKE See "Carburetor Assembly" illustration and parts list. |
| 17    | 218933      | 1   | Gasket, Carburetor  |
| 18    | 224041      | 1   | Manifold, Carburetor  |
| 19    | 111053      | 2   | Screw, 10-24 x .88 THD FORM   |
| 20    | 111057      | 2   | Screw, 10-24 SPL  |
| 21    | 322031      | 1   | Gasket, Manifold  |
| 22    | 300871      | 1   | Kit, Fuel Tank / Cap (Blk)  |
| 23    | 216985      | 1   | Pickup, Fuel  |
| 24    | 225162      | 1   | Hose, Fuel  |
| 25    | 225163      | 1   | Hose, Fuel Return   |
| 26    | 300700      | 1   | Kit, Fuel Cap/Decal   |
| 27    | 211242      | 1   | Decal, (OPEN SLOWLY)  |
| 28    | 322250      | 1   | Decal, Fuel Cap   |
| 29    | 322105      | 4   | Isolator, Fuel Tank   |
| 30    | 301114      | 1   | Kit, Spacer, Clutch   |
| 31    | 322847      | 1   | Nut   |
| 32    | 322844      | 1   | Washer  |
| 33    | 300827      | 1   | Kit, Flywheel   |
| 34    | 301019      | 1   | Kit, Pawls/Flywheel   |
| 35    | 111090      | 2   | Screw, Starter Pawl, 12-24 LH   |
| 36    | 322320      | 2   | Pawl, Starter   |
| 37    | 93469       | 2   | Washer, Starter Pawl  |
| 38    | 223339      | 2   | Spring, Starter Pawl  |
| 39    | 322847      | 1   | Nut   |
| 40    | 102164      | 1   | Key, Flywheel   |
| 41    | 111053      | 2   | Screw, 10-24 x .88 THD FORM   |
| 42    | 300321      | 1   | Terminal Tab  |
| 43    | 219848-01   | 1   | Ignition Assembly   |
| 44    | 223884      | 1   | Kit, Spark Plug Wire  |
| 45    | 102556      | 1   | Connector, Spark  |
| 46    | 95266       | 1   | Boot, Spark Plug  |
|       |             | 1   | Grommet, H/T Lead Not available separately.                               |
|       |             | 1   | Grommet, S/Plug Wire Not available separately.                            |
| 47    | 111054      | 3   | Screw, 10-24 x .625   |
| 48    | 224042      | 1   | Shroud, Engine Machined   |
| 49    | 300765      | 1   | Crankcase / Shaft Asy-DD  |
|       | 300766      | 1   | Crankcase / Shaft Asy-CD  |

| Ref # | Part Number | Qty | Description   |
|-------|-------------|-----|---|
|       |             | 1   | Crankshaft Assembly Not available separately.   |
|       |             | 1   | Crankcase, Machined Not available separately.   |
|       |             | 1   | Bearing 6202 Not available separately.  |
|       |             | 1   | Bearing 6202RS Not available separately.  |
|       |             | 1   | Seal Not available separately.  |
|       |             | 1   | Spacer Not available separately.  |
|       |             | 1   | O-Ring Not available separately.  |
| 50    | 224009      | 1   | Connecting Rad Assembly   |
| 51    | 91117       | 2   | Bearing   |
| 52    | 300661      | 1   | Kit, Piston, 28cc Aluminum  |
| 53    | 300482      | 1   | Piston Pin, C'shaft (10mm dia)  |
| 54    | 215876      | 1   | Ring, Retaining   |
| 55    | 224224      | 1   | Ring, Piston 35mm   |
|       | 300663      | 1   | Kit, Piston 32cc Aluminum   |
|       | 300482      | 1   | Piston Pin, C'shaft (10mm dia)  |
|       | 215876      | 1   | Ring, Retaining   |
|       | 224217      | 1   | Ring, Piston 38mm   |
| 56    | 111065      | 4   | Screw, 10-24 x .688 TRI RND   |
| 57    | 322030      | 1   | Shield, Muffler   |
| 58    | 300452      | 1   | Kit, Cylinder 28cc Chrome   |
|       | 300453      | 1   | Kit, Cylinder 32cc Chrome   |
| 59    | 224022      | 1   | Gasket, Cylinder  |
| 60    | 224235      | 1   | Cover, Cylinder/Muffler (Blk)   |
|       | 300304      | 1   | Cover, Cylinder/Muffler (Grey)  |
| 61    | 322479      | 1   | Label, Start Instructions (MOM OFF)   |
|       | 322480      | 1   | Label, Start Instructions (SLI/SW)  |
| 62    | 322100      | 1   | Label, Storage  |
| 63    | 322210      | 1   | Washer, Plastic   |
| 64    | 111067      | 2   | Screw, 10-24 x .63 SL Torx TP   |
| 65    | 111068      | 1   | Screw, 10-14 x 1.38 Taptite   |
| 66    | 93469       | 1   | Washer  |
| 67    | 62345       | 1   | Spark Plug / DJSJ   |
| 68    | 224023      | 1   | Gasket, Crankcase   |
| 69    | 224024      | 1   | Plug, Crankcase   |
| 70    | 111065      | 5   | Screw, 10-24 x .688 TRI RND   |
| 71    |             |     | STARTER HOUSING ASSEMBLIES See<br>"Starter/Clutch Housing Assembly" illustration and<br>parts list. |

No  
Diagram  
Available  
  
Parts List  
Only

| Ref # | Part Number | Qty | Description          |
|-------|-------------|-----|----------------------|
|       | 215432      |     | PRESSURE TEST TOOL   |
|       | 217720      |     | KIT, TORX WRENCHES   |
|       | 222785      |     | T-25 TORX DRIVE 3.5" |