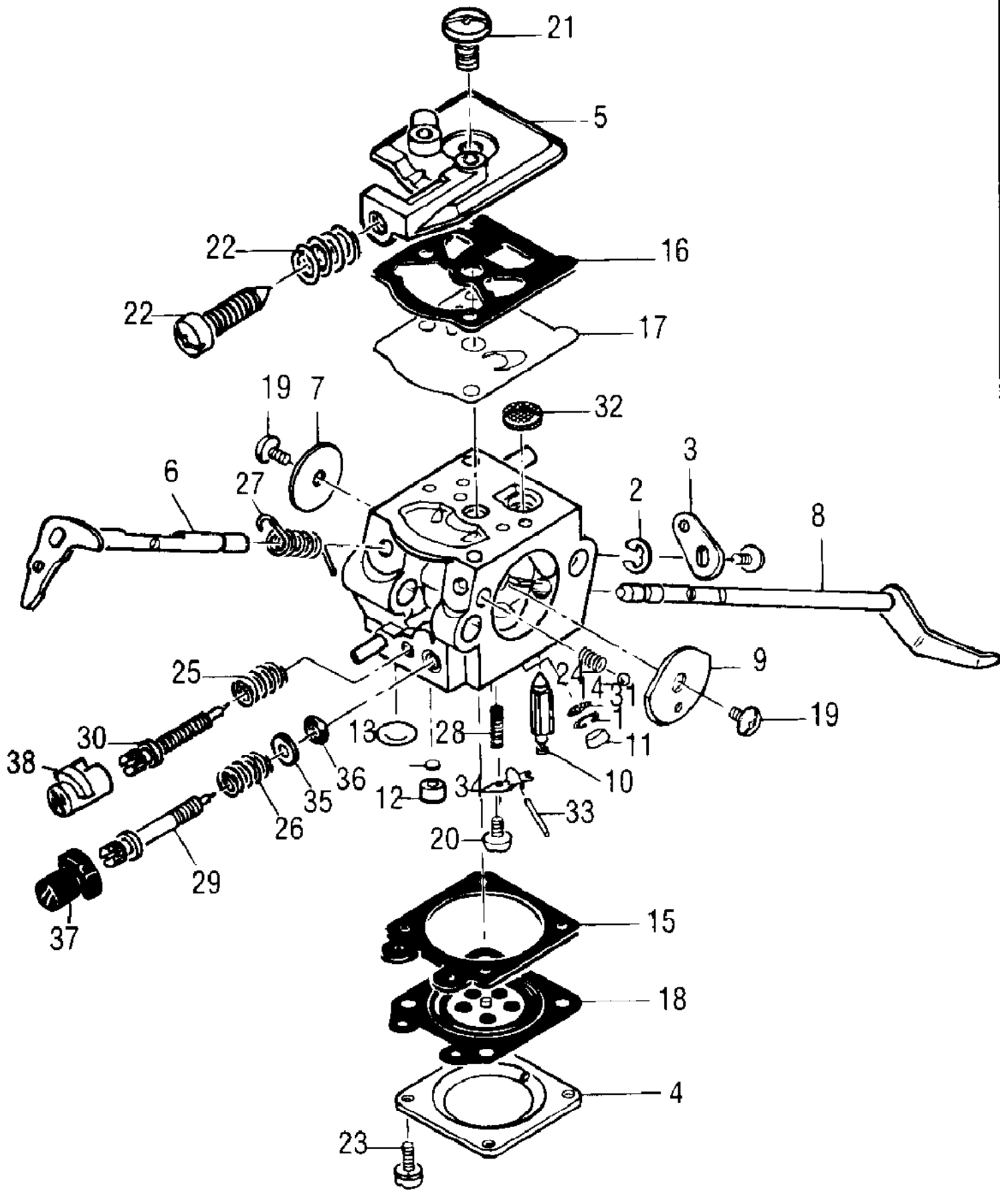


Ref #	Part Number	Qty	Description
1	323602-03	1	Carburetor, Zama C1U M29D New Part.
		1	Ring, Screen Retainer Not available individually. Included in Zama C1U M29D Carburetor P/N 323602-03.
2		1	Collar Not available individually. Included in Zama C1U M29D Carburetor P/N 323602-03.
3		1	Lever, Throttle Not available individually. Included in Zama C1U M29D Carburetor P/N 323602-03.
4		1	Cover, Metering Lever Not available individually. Included in Zama C1U M29D Carburetor P/N 323602-03.
5	300456	1	Cover, Fuel Pump
6		1	Shaft Asy, Throttle Included in Zama C1U M29D Carburetor P/N 323602-03 & Fuel Pump Cover P/N 300456. Not available individually.
7		1	Valve, Throttle Not available individually.
8		1	Shaft Asy Choke Not available individually.
9		1	Valve, Choke Not available individually.
10		1	Valve, Inlet Needle Not available individually.
11		1	Plug, Welch Not available individually.
12		1	Ball, Choke Friction Not available individually.
13		1	Gasket, Metering Diaphragm Not available individually.
14		1	Gasket, Fuel Pump Not available individually.
15		1	Diaphragm, Fuel Pump Not available individually.
16		1	Diaphragm Asy, Metering Not available individually.
17		1	Screw, Valve Not available individually.
18		1	Screw, Valve Not available individually.
19		1	Screw, Metering Lever Pin Not available individually.
20		2	Screw, Pump Cover Not available individually.
21		1	Screw, Idle Adjust Kit Not available individually.
22		2	Screw, Metering Cover Not available individually.
23		1	Spring, Choke Friction Not available individually.
24		2	Spring Needle Not available individually.
25		1	Spring, Throttle Return Not available individually.
26		1	Spring, Metering Lever Not available individually.
27		1	Needle, High Speed Not available individually.
28		1	Needle, Low Speed Not available individually.
29		1	Screen, Check Valve Not available individually.
30		1	Screen, Fuel Inlet Not available individually.
31		1	Pin, Metering Lever Not available individually.
32		1	Lever, Metering Not available individually.
33		1	Nozzle Asy, Check Valve Not available individually.
34		1	Screw, Throttle Lever Not available individually.
35	323603	1	Cap, Limiter, High, Black
36	323604	1	Cap, Limiter, Low, White
	300454		Kit, Major Repair RB-48
	300473		Kit, Gasket/Diaphragm GND-13
	322358		Kit, Choke Lever 40-999



Ref #	Part Number	Qty	Description
1	323602-03	1	Carburetor, Walbro WT 434 New Part. Ring, Screen Retainer Not available individually. Included in P/N 323602-03 Walbro WT 434 Carburetor.
2		1	Ring, Shaft Retainer Not available individually. Included in P/N 323602-03 Walbro WT 434 Carburetor.
3		1	Lever, Throttle Not available individually. Included in P/N 323602-03 Walbro WT 434 Carburetor.
4		1	Cover, Metering Lever Not available individually. Included in P/N 323602-03 Walbro WT 434 Carburetor.
5	300072	1	Cover, Fuel Pump Included in P/N 323602-03 Walbro WT 434 Carburetor.
6		1	Shaft Asy, Throttle Not available individually. Included in P/N 323602-03 Walbro WT 434 Carburetor & Fuel Pump Cover P/N 300072.
7		1	Valve, Throttle Not available individually. Included in P/N 323602-03 Walbro WT 434 Carburetor & Fuel Pump Cover P/N 300072.
8		1	Shaft Asy, Choke Not available individually. Included in P/N 323602-03 Walbro WT 434 Carburetor & Fuel Pump Cover P/N 300072.
9		1	Valve, Choke Not available individually. Included in P/N 323602-03 Walbro WT 434 Carburetor & Fuel Pump Cover P/N 300072.
10		1	Valve, Inlet Needle Not available individually. Included in P/N 323602-03 Walbro WT 434 Carburetor & Fuel Pump Cover P/N 300072.
11		1	Seat Asy, Check Valve Not available individually. Included in P/N 323602-03 Walbro WT 434 Carburetor & Fuel Pump Cover P/N 300072.
12		1	Plug, Cup Not available individually. Included in P/N 323602-03 Walbro WT 434 Carburetor & Fuel Pump Cover P/N 300072.
13		1	Plug, Welch Not available individually. Included in P/N 323602-03 Walbro WT 434 Carburetor & Fuel Pump Cover P/N 300072.
14		1	Ball, Choke Friction Not available individually. Included in P/N 323602-03 Walbro WT 434 Carburetor & Fuel Pump Cover P/N 300072.
15		1	Gasket, Metering Diaphragm Not available individually. Included in P/N 323602-03 Walbro WT 434 Carburetor & Fuel Pump Cover P/N 300072.
16		1	Gasket, Fuel Pump Not available individually. Included in P/N 323602-03 Walbro WT 434 Carburetor & Fuel Pump Cover P/N 300072.

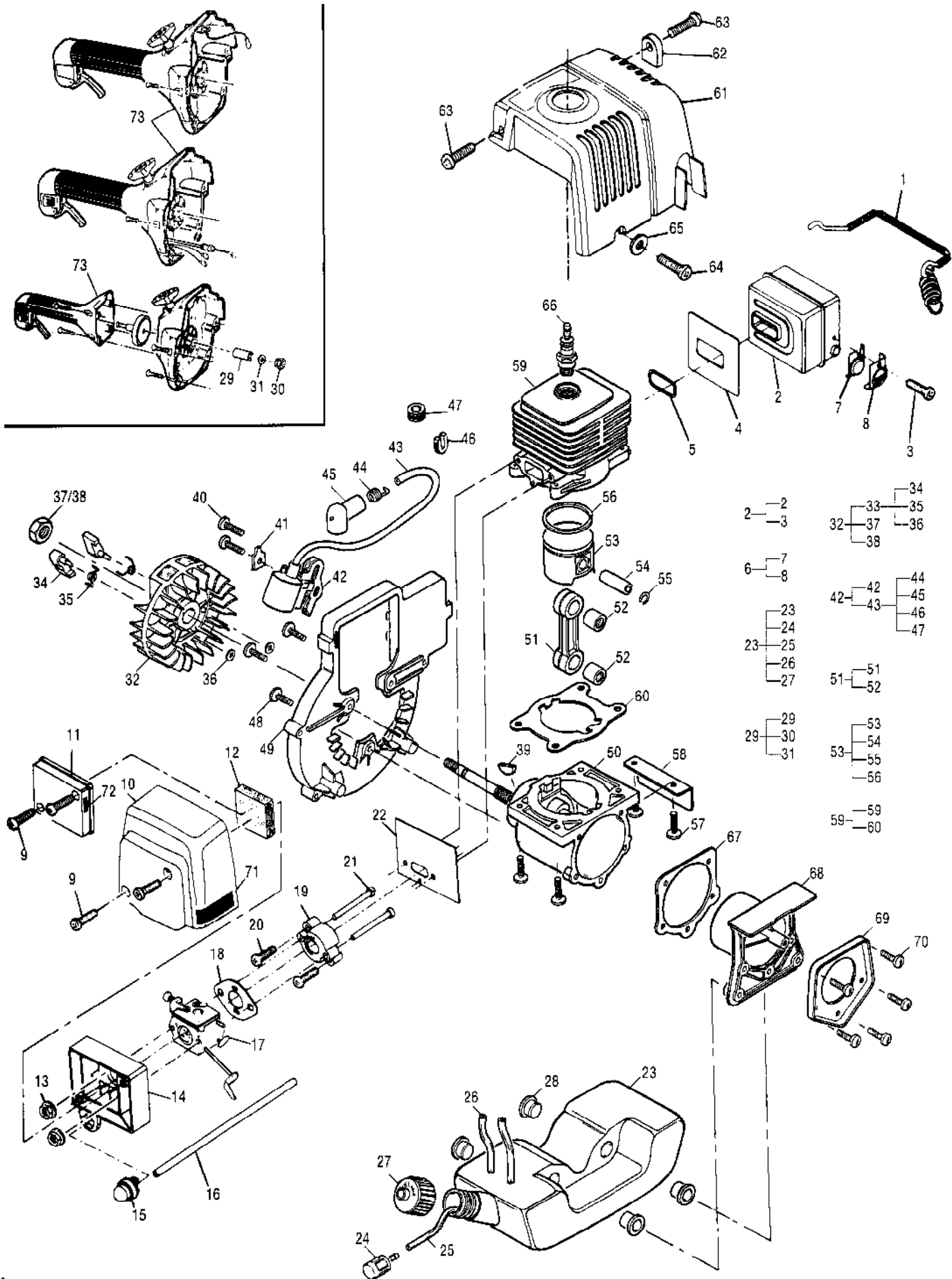
Ref #	Part Number	Qty	Description
17		1	Diaphragm, Fuel Pump Not available individually. Included in P/N 323602-03 Walbro WT 434 Carburetor & Fuel Pump Cover P/N 300072.
18		1	Diaphragm Asy, Metering Not available individually. Included in P/N 323602-03 Walbro WT 434 Carburetor & Fuel Pump Cover P/N 300072.
19		2	Screw, Valve Not available individually. Included in P/N 323602-03 Walbro WT 434 Carburetor & Fuel Pump Cover P/N 300072.
20		1	Screw, Metering Lever Pin Not available individually. Included in P/N 323602-03 Walbro WT 434 Carburetor & Fuel Pump Cover P/N 300072.
21		1	Screw, Pump Cover Not available individually. Included in P/N 323602-03 Walbro WT 434 Carburetor & Fuel Pump Cover P/N 300072.
22		1	Spring, Idle Adjust Kit Not available individually. Included in P/N 323602-03 Walbro WT 434 Carburetor & Fuel Pump Cover P/N 300072.
23		4	Screw, Metering Cover Not available individually. Included in P/N 323602-03 Walbro WT 434 Carburetor & Fuel Pump Cover P/N 300072.
24		1	Spring, Choke Friction Not available individually. Included in P/N 323602-03 Walbro WT 434 Carburetor & Fuel Pump Cover P/N 300072.
25		1	Spring, Idle Needle Not available individually. Included in P/N 323602-03 Walbro WT 434 Carburetor & Fuel Pump Cover P/N 300072.
26		1	Spring, High Speed Needle Not available individually. Included in P/N 323602-03 Walbro WT 434 Carburetor & Fuel Pump Cover P/N 300072.
27		1	Spring, Throttle Return Not available individually. Included in P/N 323602-03 Walbro WT 434 Carburetor & Fuel Pump Cover P/N 300072.
28		1	Spring, Metering Lever Not available individually. Included in P/N 323602-03 Walbro WT 434 Carburetor & Fuel Pump Cover P/N 300072.
29		1	Needle, High Speed Not available individually. Included in P/N 323602-03 Walbro WT 434 Carburetor & Fuel Pump Cover P/N 300072.
30		1	Needle, Low Speed Not available individually. Included in P/N 323602-03 Walbro WT 434 Carburetor & Fuel Pump Cover P/N 300072.
31		2	Screen, Check Valve Not available individually. Included in P/N 323602-03 Walbro WT 434 Carburetor & Fuel Pump Cover P/N 300072.

Ref #	Part Number	Qty	Description
32		1	Screen, Fuel Inlet Not available individually. Included in P/N 323602-03 Walbro WT 434 Carburetor & Fuel Pump Cover P/N 300072.
33		1	Pin, Metering Lever Not available individually. Included in P/N 323602-03 Walbro WT 434 Carburetor & Fuel Pump Cover P/N 300072.
34		1	Lever, Metering Not available individually. Included in P/N 323602-03 Walbro WT 434 Carburetor & Fuel Pump Cover P/N 300072.
35		1	Ring, High Speed Not available individually. Included in P/N 323602-03 Walbro WT 434 Carburetor & Fuel Pump Cover P/N 300072.
36		1	Washer, High Speed Not available individually. Included in P/N 323602-03 Walbro WT 434 Carburetor & Fuel Pump Cover P/N 300072.
37	323601	1	Cap. Limiter, High, Black Included in P/N 323602-03 Walbro WT 434 Carburetor & Fuel Pump Cover P/N 300072.
38	323602	1	Cap, Limiter, Low, White Included in P/N 323602-03 Walbro WT 434 Carburetor & Fuel Pump Cover P/N 300072.
	300457		Kit, Major Repair A1117WT
	224460		Kit, Gasket/Diaphragm (B1106WT)
	322363		Kit, Choke Lever 40-999

No  
Diagram  
Available  
  
Parts List  
Only

Ref #	Part Number	Qty	Description
	322235-02		Loctite Kit
	322236		Retaining Compound 620 (10 ml) Included in Loctite Kit P/N 322235-02.
	322237		Thread Locker 242 (10 ml) Included in Loctite Kit P/N 322235-02.
	322238		Gasket Eliminator 518 (50 ml) Included in Loctite Kit P/N 322235-02.
	322239-01		Black Max 380 (3 ml) Included in Loctite Kit P/N 322235-02.
	323749		Thread Locker 262 (10 ml) Included in Loctite Kit P/N 322235-02.
	323762		Anti-Seize Lubricant 767 (30 ml) Included in Loctite Kit P/N 322235-02.



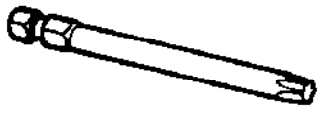


Ref #	Part Number	Qty	Description
1	224044	1	Spring, Muffler
2	224034	1	Kit, Muffler New Part.
3	111072	1	Screw, 8-18 x.31 Pn Dh Sl Torx Included in Muffler Kit P/N 224034.
4	224228	1	Gasket, Muffler
5	224922	1	Gasket, Exhaust Port
6	302424	1	Kit, Spark Arrester New Part.
7	224040	1	Screen, Spark Arrester Included in Spark Arrester Kit P/N 302424.
8	322032	1	Cover, Spark Arrester Included in Spark Arrester Kit P/N 302424.
9	111055	2	Screw, 10-24 x .625, Plast
10	224236	1	Cover, Air Cleaner, Large (Black)
10	22423672	1	Cover, Air Cleaner, Large (Green)
11	224237	1	Cover, Air Cleaner, Small (Black)
12	224239	1	Filter, Air
13	111058	2	Nut, 10-24 Hex, Flange Torque to 25-30 IN/LBS
14	224238	1	Box, Air (Blk)
15	22424202	1	Primer, Remote
16	225163	1	Hose, Fuel Return
17		1	Carburetor w/Choke Not available individually. See "Shaft/Handle/Stringhead Assembly" Illustration & Parts List.
18	218933	1	Gasket, Carburetor
19	22404102	1	Insulator, Carburetor New Part.
20	111053	2	Screw, 10-24 x .88 Thd Form Torque to 45-50 IN/LBS Loctite 242 required
21	111057	2	Screw, 10-24 Spl
22	322031	1	Gasket, Manifold
23	302349	1	Tank, Fuel (Natural)
24	216985	1	Filter, Fuel New Part. Included in Fuel Tank P/N 302349.
25	225162	1	Hose, Fuel Included in Fuel Tank P/N 302349.
26	225163	1	Hose, Fuel Return Included in Fuel Tank P/N 302349.
27	223508	1	Cap, Fuel, w/Retainer New Part. Included in Fuel Tank P/N 302349.
28	322105	4	Isolator, Fuel Tank
29	301114	1	Kit, Spacer, Clutch
30	322847	1	Nut, Hex, 7/16-20 Included in Spacer Clutch Kit P/N 301114.
31	322844	1	Washer, Shaft Included in Spacer Clutch Kit P/N 301114.
32	30082701	1	Kit, Flywheel, 28/32 New Part.
33		1	Kit, Pawls/Flywheel Not available individually. Included in Flywheel Kit P/N 300827-01.
34	322297	2	Pawl, Starter New Part. Included in Flywheel Kit P/N 300827-01 & Pawls/Flywheel Kit.
35	322835	2	Spring, Starter Pawl New Part Included in Flywheel Kit P/N 300827-01 & Pawls/Flywheel Kit.

Ref #	Part Number	Qty	Description
36	111086	2	Ring, Retainer Included in Flywheel Kit P/N 300827-01 & Pawls/Flywheel Kit.
37	111085	1	Nut, Direct Drive Torque to 140-145 IN/LBS Loctite 242 Required Included in Flywheel Kit P/N 300827-01.
38	322847	1	Nut, 7/16-20, Clutch Drive Torque to 140-145 IN/LBS Loctite 242 Required Included in Flywheel Kit P/N 300827-01.
39	102164	1	Key, Flywheel
40	111053	2	Screw, 10-24 x .88 Thd Form Torque to 45-50 IN/LBS Loctite 242 required
41	300321	1	Terminal Tab
42	302138	1	Ignition Asy
43	223884	1	Kit, Spark Plug Wire Included in Ignition Asy. P/N 302138.
44	102556	1	Connector, Spark Included in Ignition Asy. P/N 302138 & Spark Plug Wire Kit P/N 223884.
45	95266	1	Boot, Spark Plug Included in Ignition Asy. P/N 302138 & Spark Plug Wire Kit P/N 223884.
46	21553301	1	Grommet, H/T Lead, Split Included in Ignition Asy. P/N 302138 & Spark Plug Wire Kit P/N 223884.
47	110995	1	Grommet, S/Plug Wire Included in Ignition Asy. P/N 302138 & Spark Plug Wire Kit P/N 223884.
48	111067	3	Screw, 10-24x.63 SITor Tp Torque to 55-60 IN/LBS Loctite 242 required
49	224042	1	Shroud, Engine
50	301539	1	C'case/C'shaft Asy, Direct Drive
		1	C'case Asy Not available individually. Included in C'case/C'shaft Asy. Direct Drive P/N 301539.
		1	C'case, Machined Not available individually. Included in C'case/C'shaft Asy. Direct Drive P/N 301539.
		1	Bearing 6202 Not available individually. Included in C'case/C'shaft Asy. Direct Drive P/N 301539 & C'case Machined.
		1	Bearing 6202RS Not available individually. Included in C'case/C'shaft Asy. Direct Drive P/N 301539 & C'case Machined.
		1	Seal Not available individually. Included in C'case/C'shaft Asy. Direct Drive P/N 301539 & C'case Machined.
		1	Spacer Not available individually. Included in C'case/C'shaft Asy. Direct Drive P/N 301539 & C'case Machined.
		1	O-ring Not available individually. Included in C'case/C'shaft Asy. Direct Drive P/N 301539 & C'case Machined.
50	301821	1	C'case/C'shaft Asy, Clutch Drive New Part.

Ref #	Part Number	Qty	Description
		1	C'shaft Asy Not available individually. Included in C'case/C'shaft Asy. Clutch Drive P/N 301821.
		1	C'case, Machined Not available individually. Included in C'case/C'shaft Asy. Clutch Drive P/N 301821.
		1	Bearing 6202 Not available individually. Included in C'case/C'shaft Asy. Clutch Drive P/N 301821 & C'case Machined.
		1	Bearing 6202RS Not available individually. Included in C'case/C'shaft Asy. Clutch Drive P/N 301821 & C'case Machined.
		1	Seal Not available individually. Included in C'case/C'shaft Asy. Clutch Drive P/N 301821 & C'case Machined.
		1	Spacer Not available individually. Included in C'case/C'shaft Asy. Clutch Drive P/N 301821 & C'case Machined.
		1	O Ring Not available individually. Included in C'case/C'shaft Asy. Clutch Drive P/N 301821 & C'case Machined.
51	301982	1	Rod, Connecting Asy New Part.
52	91117	2	Bearing Included in Rod, Connecting Asy. P/N 301982.
53	300661	1	Kit, Piston, 28cc Aluminum
53	300663	1	Kit, Piston, 32cc Aluminum
54	300482	1	Pin, C'shaft Piston Included in Aluminum Piston 28cc Kit P/N 300661 & Aluminum Piston 32cc Kit P/N 300663.
55	215876	1	Ring, Retaining Included in Aluminum Piston 28cc Kit P/N 300661 & Aluminum Piston 32cc Kit P/N 300663.
56	224224	1	Ring, Piston, 35mm Included in Aluminum Piston 28cc Kit P/N 300661.
56	224217	1	Ring, Piston Included in Aluminum Piston 32cc Kit P/N 300663.
57	111065	4	Screw, 10-24 x .688 Tri Rnd Torque to 55-60 IN/LBS Loctite 242 required
58	322030	1	Shield Muffler
59	300452	1	OS Kit, Cylinder/Gasket, 28cc Chrome
59	300453	1	Kit, Cylinder/Gasket, 32cc Chrome
60	224022	1	Gasket, Cylinder Included In Cylinder/Gasket 28cc Kit P/N 300452 & Cylinder/Gasket 32cc Kit P/N 300453.
61	224235	1	Cover, Cylinder/Muffler (Black)
62	322210	1	Washer, Plastic
63	111067	2	Screw, 10-24 x .63 SI Torx Tp
64	111068	1	Screw, 10-14 x 1.38 Taptite
65	93469	1	Washer, .4690D/.2221D
66	92879	1	Spark Plug, RDJ&J Torque to 110-120 IN/LBS
67	224023	1	Gasket, C'case
68	22402401	1	Plug, C'case New Part.

Ref #	Part Number	Qty	Description
69	32243790	1	Plate, C'case, Coated Finish New Part.
70	111065	5	Screw, 10-24 x .688 Tri Rnd Torque to 35-40 IN/LBS Loctite 242 required
71	322240	1	Label, Choke (Vertical)
72	322480	1	Label, Staring Inst (Eng) For models with slide to stop switch.
73		1	Starter/Clutch Housing Asy. See "Starter/Clutch Housing Assembly" Illustration and Parts List.



PN 111124 - T-27 Torx Dr 3 5 in



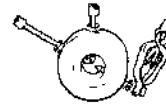
PN 222785 - T-25 Torx dr 3 5 in



PN 217720 - Torx Dr Set



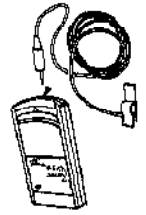
PN 323754 - Torx Dr Set of 6  
Bit Sizes Tx 10 15 20 25 27 30



PN 323330  
Ignition Tester

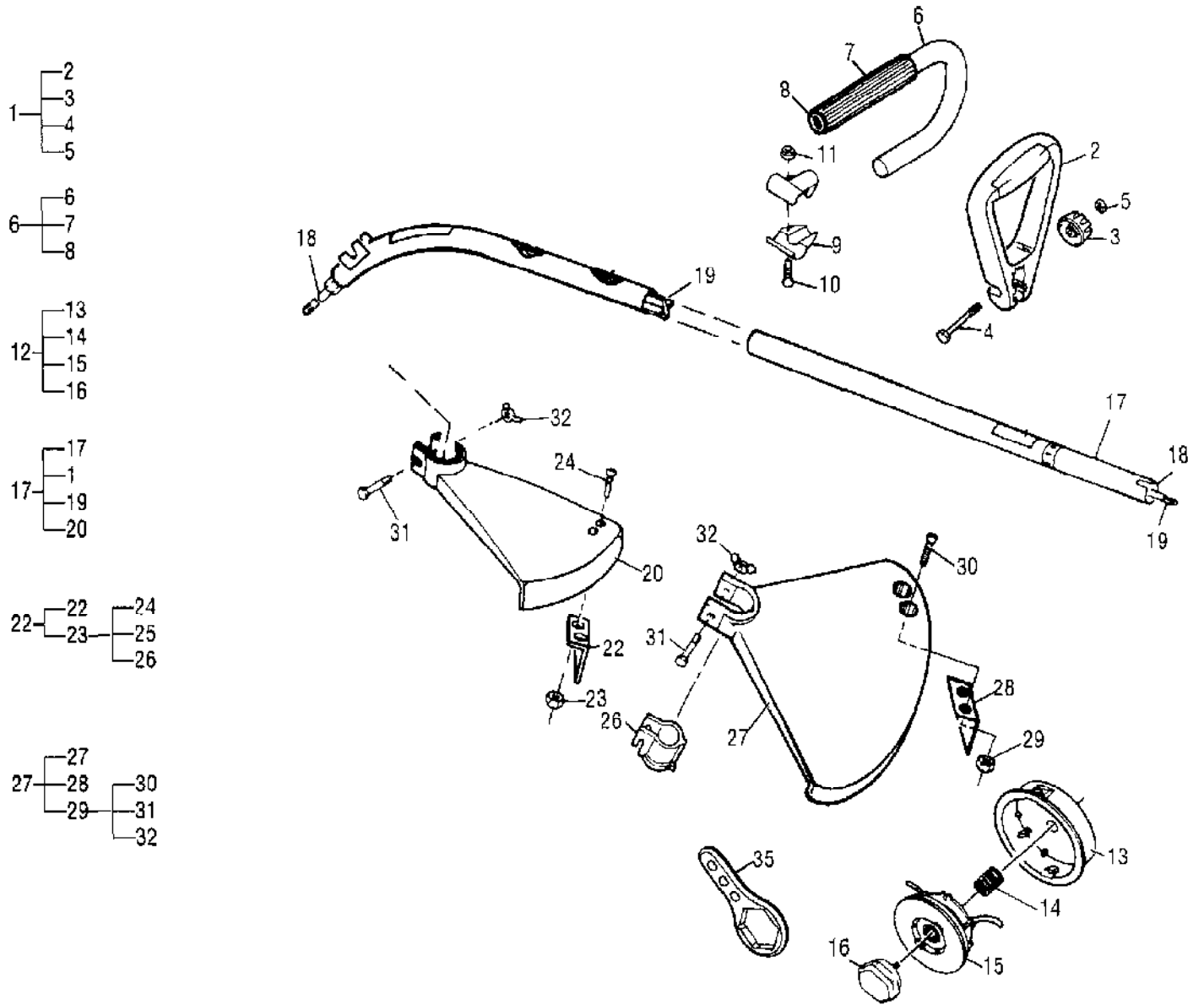


PN 215432-01  
Pressure Test Tool



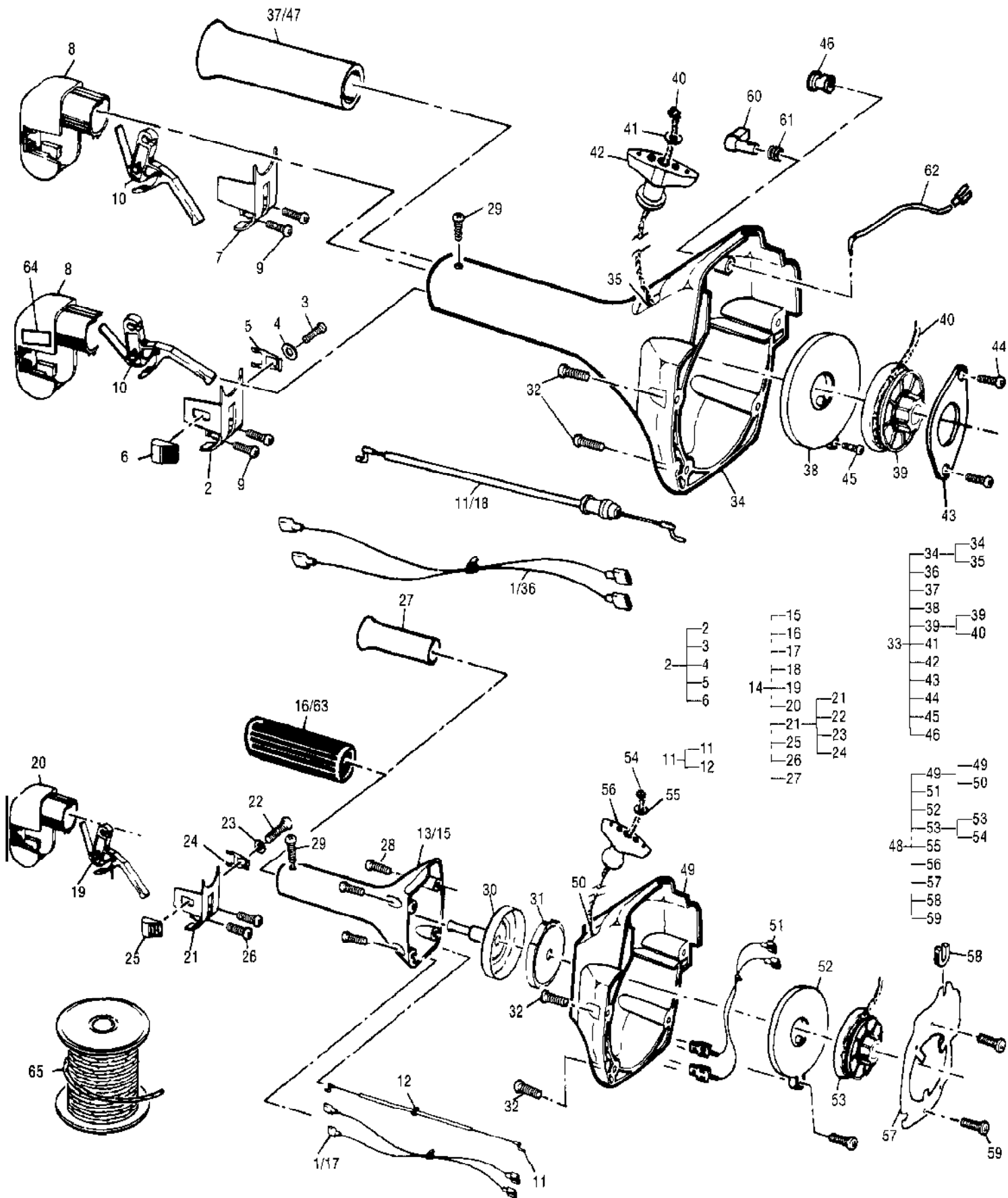
PN 91424  
Tachometer

Ref #	Part Number	Qty	Description
111124	111124		T-27 Torx Dr 3.5 in.
222785	222785		T-25 Torx dr 3.5 in.
217720	217720		Torx Or Set
323754	323754		Torx Dr Set of 6 Bit Sizes: Tx 10,15,20,25,27,30
323330	323330		Ignition Tester
21543201	21543201		Pressure Test Tool
91424	91424		Tachometer





Ref #	Part Number	Qty	Description
1	300834	1	Handle, Delta Kit
2	3710610	1	Assist Handle w/Cap Asy
3	322719	1	Knob
4	0907599	1	Bolt, 1/4 in.-20 x 2.5 Hx Cap
5	1303599	1	Nut, 1/4 in.-20 x .22 T
6	300540	1	Handle, J-Grip Asy
7	322139	1	Grip
8	218328	1	Plug, Tubing
9	215337	2	Clamp, Handle
10	217935	2	Screw
11	218315	2	Nut, 10-24
12	300651	1	Kit, Stringhead, Small
13	322025	1	Housing/Eyelet Asy w/Collar
14	324089	1	Spring, McC Stringhead
15	300688	1	Kit, Line on Spool, M-Sm
16	300736	1	Kit, Knob Asy, Small
17	300429	1	Housing Asy, Outer, 44"
17	300424	1	Housing Asy, Outer, 48"
18	223412	2	Clip, Spring External
19	301023	1	Shaft, Flex, 41"
19	215324	1	Shaft, Flex, 48"
20	224062	1	Shield Asy, Grass, R, 17in.
21	300626	1	Kit, Knife
22	22449701	1	Cutter
23	216682	2	Nut, Lock 10-24 Hex
24	217935	2	Screw, 10-24 x 50 Torx
25	300317	1	Shield Asy, Grass, 90°
26	224499	1	Spacer
27	300626	1	Kit, Knife
28	22449701	1	Cutter
29	216682	1	Nut, Lock 10-24 Hex
30	217935	2	Screw, 10-24 x .50 Torx
31	216595	1	Screw, M6 x 1.0 Hex
32	111102	1	Nut, Wing M6 x 1.0
33	322344	1	Wrench, Stringhead
35			UNKNOWN



Ref #	Part Number	Qty	Description
1	301133	1	Wire Asy, Switch
1	301135	1	Wire Asy, Switch
2	300064	1	Cover, Asy, Switch
3	111069	1	Screw, 8-16 x .375 Plastite Included in Cover Asy, Switch.
4	105497	1	Washer, Flat, .180 ID max Included in Cover Asy, Switch.
5	224246	1	Contact, Switch Included in Cover Asy, Switch.
6	224245	1	Button, Stop Switch Included in Cover Asy, Switch.
7	224914	1	Cover, Switch Housing
8	224234	1	Trigger Hsg Asy, 22mm, 28/32
9	111061	2	Screw, 6-19 x .62 FI Hd Plastite
10	300361	1	Trigger, Throttle
11	30014901	1	Throttle Cable, Direct Drive New Part.
11	30037201	1	Throttle Cable, Clutch Drive New Part.
12	111074	1	Nut, Speed, .188 ID Included in Throttle Cable, Clutch Drive P/N 300372-01.
13	224912	1	Housing, Clutch, 7/8 in. (Yellow)
13	300014	1	Housing, Clutch, 7/8 in. (Grey)
14	30078261	1	Housing Asy, Clutch, 7/8 in. (Black)
15	22491261	1	Housing, Clutch, 7/8 in. (Black) Included in Housing Asy. Clutch, 7/8" P/N 300782-61.
16	322140	1	Grip Included in Housing Asy. Clutch, 7/8" P/N 300782-61.
17	301133	1	Wire Asy, Switch Included in Housing Asy. Clutch, 7/8" P/N 300782-61.
18	30037201	1	Cable Asy, Throttle Included in Housing Asy. Clutch, 7/8" P/N 300782-61.
19	300361	1	Trigger, Throttle Included in Housing Asy. Clutch, 7/8" P/N 300782-61.
20	224234	1	Trigger Hsg Asy, 22mm, 28/32 Included in Housing Asy. Clutch, 7/8" P/N 300782-61.
21	300064	1	Cover, Asy, Switch Included in Housing Asy. Clutch, 7/8" P/N 300782-61.
22	111069	1	Screw, 8-16 x .375 Plastite Included in Housing Asy. Clutch, 7/8" P/N 300782-61 & Cover Asy. Switch P/N 300064.
23	105497	1	Washer, Flat, .180 ID max Included in Housing Asy. Clutch, 7/8" P/N 300782-61 & Cover Asy. Switch P/N 300064.
24	224246	1	Contact, Switch Included in Housing Asy. Clutch, 7/8" P/N 300782-61 & Cover Asy. Switch P/N 300064.
25	224245	1	Button, Stop Switch Included in Housing Asy. Clutch, 7/8" P/N 300782-61.
26	111061	2	Screw, 6-19 x .62 FI Hd Plast Included in Housing Asy. Clutch, 7/8" P/N 300782-61.

Ref #	Part Number	Qty	Description
27	322234	1	Sleeve, Protecting Included in Housing Asy. Clutch, 7/8" P/N 300782-61.
28	224919	4	Screw, 10-14 x 1.0 Pn Hd Torque to 30-35 IN/LBS
29	111070	1	Screw, 12-11 x .5 Pn Hd Torx
30	302106	1	Drum, Clutch, Heat Treated
31	300459	1	Kit, Clutch
32	111054	4	Screw, 10-24 x .625 Torque to 30-35 IN/LBS
33	300979	1	Kit, Starter Asy w/Plug (Grey)
33	300118	1	Starter Asy w/Plug (Yellow) Used on Direct Drive models 12400128-25/-49/-59/-61. 224000128-11. 400128-01/-19/-21/-27/-51/-73/-85/-93/-97/-05/-47/-96 400132-01/-44. 002815-00. 002816-00. Used on 22400128-01/-21/-51/-73/-93. 124000128-05/-11/-19/-25/-27/-47/-59/-61/-85.
33	224917-61	1	Starter Asy (Black)
34	300621	1	Housing, Starter/Rope Guide Included in Starter Asy. w/Plug (Yellow) P/N 300118.
34		1	Housing, Starter DD (Black) Included in Starter Asy. (Black) Direct Drive P/N 224917-61.
34	300980	1	Housing, Starter/Rope Guide Included in Starter Asy. w/Plug (Grey) P/N 300979.
35		1	Rope Guide Included in Starter Asy. P/N 300979, P/N 300118 & P/N 224917-61.
36	301135	1	Wire Asy, Switch Included in Starter Asy. P/N 300979, P/N 300118 & P/N 224917-61.
37	322234	1	Sleeve, Protecting Included in Starter Asy. P/N 300979, P/N 300118 & P/N 224917-61.
38	300475	1	Spring, Starter Rewind Included in Starter Asy. P/N 300979, P/N 300118 & P/N 224917-61.
39	300872	1	Drum/Rope Asy, 28/32 Included in Starter Asy. P/N 300979, P/N 300118 & P/N 224917-61.
40	222869	1	Rope, Starter, 46 in. Included in Starter Asy. P/N 300979, P/N 300118 & P/N 224917-61.
41	218941	1	Washer, Nylon Included in Starter Asy. P/N 300979, P/N 300118 & P/N 224917-61.
42	216792	1	Handle, Starter Included in Starter Asy. P/N 300979, P/N 300118 & P/N 224917-61.
43	322362	1	Pulley, Retained, Direct Drive Included in Starter Asy. P/N 300979, P/N 300118 & P/N 224917-61.
44	223357	2	Screw, 8-16 Plastite Included in Starter Asy. P/N 300979, P/N 300118 & P/N 224917-61.
45	322027	1	Screw, Spring Retainer Included in Starter Asy. P/N 300979, P/N 300118 & P/N 224917-61.
46	300119	1	Plug, Switch Cover Included in Starter Asy. P/N 300979, P/N 300118 & P/N 224917-61.
47	322234	1	Protecting Sleeve Dealer stocked. Fast to medium moving part.

Ref #	Part Number	Qty	Description
48	224916	1	Starter Asy (Yellow) Clutch Drive Dealer stocked. Fast to medium moving part.
48	300013	1	Starter Asy (Grey) Clutch Dr. Distributor stocked. Medium to slow moving part.
48	224916-61	1	Starter Asy (Black) Distributor stocked. Medium to slow moving part.
49	300616	1	Housing, Starter/Rope Guide Included in Starter Asy. (Yellow), Clutch Drive P/N 224916.
49	300618	1	Housing, Starter/Rope Guide Included in Starter Asy. (Grey) Clutch Drive P/N 300013.
49	224240-61	1	Housing, Starter/Rope Guide Included in Starter Asy. Clutch Drive (Black) P/N 224916-61.
50		1	Rope Guide Not available individually.
51	301134	1	Wire Asy, Starter Hsg Clutch Dr Included in Starter Asy. Clutch Drives P/N 224916, P/N 300013 & P/N 224916-61.
52	300475	1	Spring, Starter Rewind Included in Starter Asy. Clutch Drives P/N 224916, P/N 300013 & P/N 224916-61.
53	300872	1	Drum/Rope Asy, 28/32 Included in Starter Asy. Clutch Drives P/N 224916, P/N 300013 & P/N 224916-61.
54	222869	1	Rope, Starter, 46 in. Included in Starter Asy. Clutch Drives P/N 224916, P/N 300013 & P/N 224916-61.
55	218941	1	Washer, Nylon Included in Starter Asy. Clutch Drives P/N 224916, P/N 300013 & P/N 224916-61.
56	216792	1	Handle, Starter Included in Starter Asy. Clutch Drives P/N 224916, P/N 300013 & P/N 224916-61.
57	224927	1	Plate, Baffle, Clutch Drive Included in Starter Asy. Clutch Drives P/N 224916, P/N 300013 & P/N 224916-61.
58	215533-01	1	Grommet, H/T Lead Included in Starter Asy. Clutch Drives P/N 224916, P/N 300013 & P/N 224916-61.
59	223357	3	Screw, 8-16 Plastite Included in Starter Asy. Clutch Drives P/N 224916, P/N 300013 & P/N 224916-61.
60	222914	1	Button, Stop
61	222913	1	Spring, Stop Button
62	222926	1	Wire Asy, Switch
63	322140	1	Grip
64	322081	1	Label, ON/OFF Switch
65	300415	1	Rope, Bulk