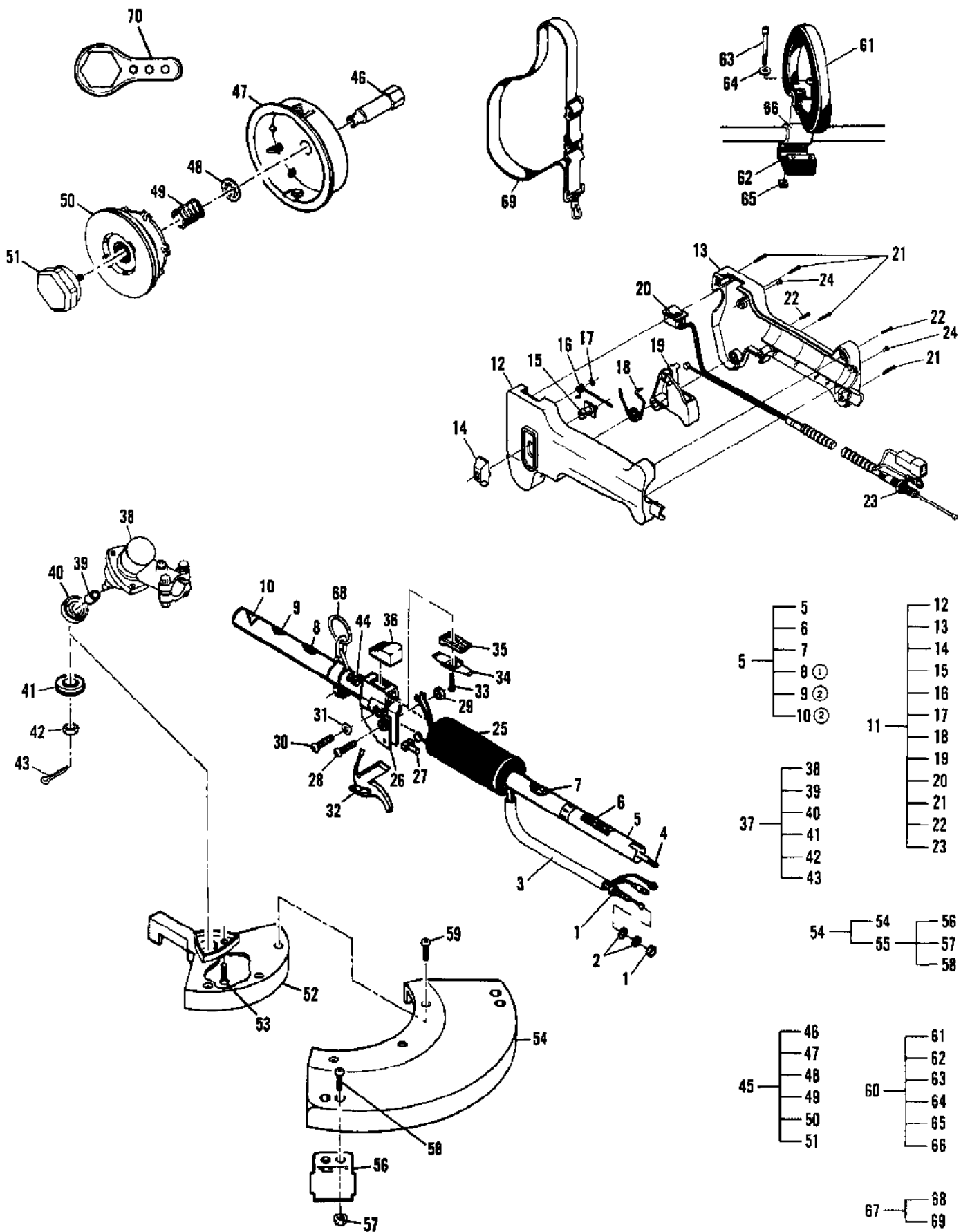
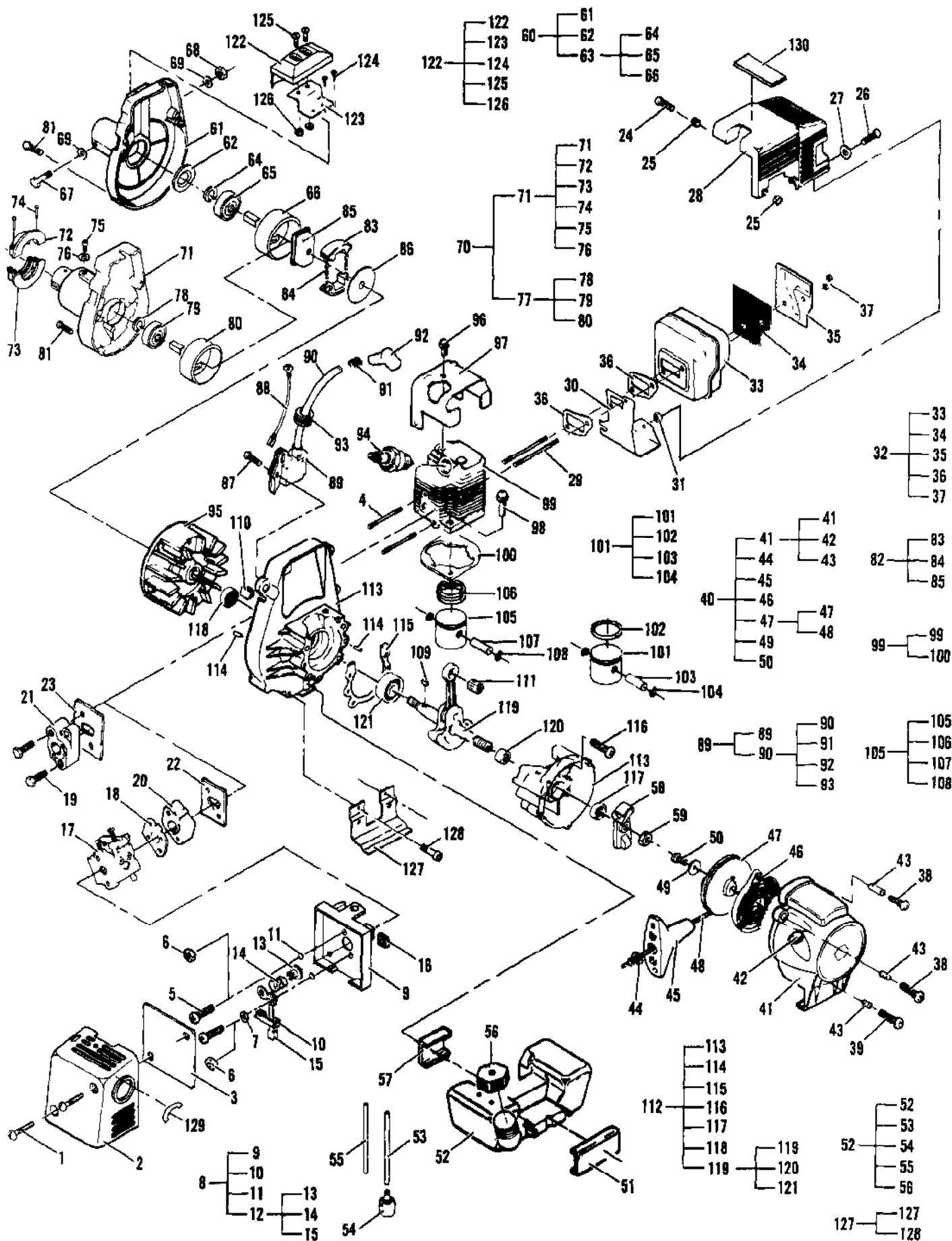


| Ref # | Part Number | Qty | Description |
|-------|-------------|-----|------------------------------|
| 1 | 224142-03 | | Carburetor Asy (WT238) |
| 2 | | 2 | Screw, Pump Cover |
| 3 | | 1 | Cover, Primer Pump |
| 4 | 223077 | 1 | Primer, Pump |
| 5 | 223913 | 1 | Cover Asy, Fuel Pump |
| 6 | | 1 | Screw, Idle Adjustment |
| 7 | | 1 | Spring, Idle Screw |
| 8 | | 1 | Gasket, Fuel Pump |
| 9 | | 1 | Diaphragm, Fuel Pump |
| 10 | | 1 | Screen, Fuel Pump Inlet |
| 11 | | 1 | Shaft Assembly, Throttle |
| 12 | | 1 | Spring, Throttle Return |
| 13 | | 1 | Ring, Shaft Retainer |
| 14 | | 1 | Needle, Idle |
| 15 | | 1 | Needle, High Speed |
| 16 | | 1 | Spring, Idle Needle |
| 17 | | 1 | Spring, High Speed needle |
| 18 | | 1 | Screw, Valve |
| 19 | | 1 | Valve, Throttle |
| 20 | | 1 | Screw, Metering Lever Pin |
| 21 | | 1 | Pin, Metering Lever |
| 22 | | 1 | Lever, Metering |
| 23 | | 1 | Valve, Inlet Needle |
| 24 | | 1 | Spring, Metering Lever |
| 25 | | 1 | Seat Assembly, Check Valve |
| 26 | | 1 | Plug, Welch 5/16 |
| 27 | | 1 | Plug, Welch 1/4 |
| 28 | | 1 | Ring, Screen Retainer |
| 29 | | 1 | Screen, Check Valve |
| 30 | | 4 | Screw, Metering Cover |
| 31 | | 1 | Cover, Metering Lever |
| 32 | | 1 | Diaphragm Assembly, Metering |
| 33 | | 1 | Gasket, Metering Diaphragm |
| 34 | | 1 | Swivel |
| 35 | | 1 | E-ring |



| Ref # | Part Number | Qty | Description |
|-------|-------------|-----|--------------------------------|
| 1 | 217403 | 2 | Nut, Hex M6 x 1.0 |
| 2 | 216596 | 2 | Washer, Flat M6 |
| 3 | 215306 | 1 | Harness, Wiring |
| 4 | 217752 | 1 | Shaft, Drive |
| | 217753 | 1 | Shaft, Drive |
| 5 | 216922 | 1 | Housing Assembly, Outer |
| | 300418 | 1 | Housing Assembly, Outer |
| 6 | 219030 | 1 | Decal, Caution |
| 7 | 223407 | 1 | Decal, Eye/Ear Cover |
| 8 | 223408 | 1 | Decal, Warning |
| 9 | 211214 | 1 | Decal, Warning 15m |
| 10 | 211215 | 1 | Decal, Thrown Objects |
| 11 | 227280 | 1 | Handle, Trigger/Wire Assembly |
| 12 | 229837 | 1 | Handle, Left Half |
| 13 | 229836 | 1 | Handle, Right Half |
| 14 | 229824 | 1 | Slide, Throttle Cable |
| 15 | 229823 | 1 | Pin |
| 16 | 229973 | 1 | Spring |
| 17 | 227065 | 1 | Ring |
| 18 | 227058 | 1 | Spring, Trigger |
| 19 | 227064 | 1 | Trigger |
| 20 | 227067 | 1 | Wire Assembly |
| 21 | 229846 | 4 | Screw, 2.9 x 22 Self-threading |
| 22 | 227074 | 2 | Screw, 2.9 x 16 Self-threading |
| 23 | 235912 | 1 | Nut |
| 24 | 111012 | 2 | Screw, Pan 4-40 x .31 ST |
| 25 | 322141 | 1 | Grip (7/8") |
| 26 | 222795 | 1 | Housing, Trigger/Throttle |
| 27 | 215323 | 1 | Guide |
| 28 | 216027 | 1 | Screw, PN M5 x 28.5 SEMS |
| 29 | 217159 | 1 | Nut, Hex M5 |
| 30 | 223200 | 1 | Screw, Self-tapping 10-16 |
| 31 | 93469 | 1 | Washer, Starter Pawl |
| 32 | 300361 | 1 | Trigger, Throttle |
| 33 | 110706 | 1 | Screw, PN 8-18 x .5 ST H |
| 34 | 215320 | 1 | Contact, Switch |
| 35 | 215319 | 1 | Base, Stop Switch |
| 36 | 68846 | 1 | Button, Stop Switch |
| 37 | 224457 | 1 | Kit, Gear Housing Asy |
| 38 | 224181-01 | 1 | Housing Asy, Gear |
| 39 | 322009-01 | 1 | Sleeve, Spline |
| 40 | 224136-01 | 1 | Collar 20mm |
| 41 | 218075 | 1 | Flange, Spindle |
| 42 | 216751 | 1 | Nut, Hex M10 LH |
| 43 | 218159 | 1 | Pin, Cotter |
| 44 | 322099 | 1 | Label, Debris Shield Warning |
| 45 | 300078-01 | 1 | Stringhead Assembly |
| 46 | 322106 | 1 | Stud, Left |
| 47 | 300091 | 1 | Housing/Eyelet Assembly (L) |
| 48 | 111073 | 1 | Ring, Retainer |
| 49 | 322626 | 1 | Spring, Mc C Stringhead |
| 50 | 300690 | 1 | Kit, Line on Spool (M-Lg) |
| 51 | 300737 | 1 | Kit, Knob Assembly (Left) |
| 52 | 224177-01 | 1 | Shield, Blade |
| 53 | 217935 | 3 | Screw, TR 10-24 x .50 TORX |

| Ref # | Part Number | Qty | Description |
|-------|-------------|-----|--------------------------|
| 54 | 300318 | 1 | Kit, Grass Shield |
| 55 | 300626 | 1 | Kit, Knife |
| 56 | 224497-01 | 1 | Cutter |
| 57 | 216682 | 2 | Nut, Hx Lock 10-24 |
| 58 | 217935 | 2 | Screw, TR 10-24 x .5 TOR |
| 59 | 224175 | 3 | Screw, M6 x 15 |
| 60 | 224977 | 1 | Kit, Loop Handle |
| 61 | 227045 | 1 | Loop, Handle |
| 62 | 227046 | 1 | Clamp, Handle |
| 63 | 228320 | 4 | Screw, M6 x .8 x 45 |
| 64 | 236936 | 4 | Washer |
| 65 | 236642 | 4 | Nut |
| 66 | 224127 | 1 | Spacer Not Used |
| 67 | 225151 | 1 | Kit, Harness |
| 68 | 218002 | 1 | Ring Asy, Harness |
| 69 | 224083 | 1 | Harness |
| 70 | 322344 | 1 | Wrench, Stringhead |



| Ref # | Part Number | Qty | Description |
|-------|-------------|-----|--|
| 1 | 216027 | 2 | Screw, PN M5 X 28.5 SEMS |
| 2 | 227024 | 1 | Cover, Air Cleaner |
| 3 | 227023 | 1 | Filter, Air |
| 4 | 300139 | 2 | Stud, Intake M5 x 66.5 |
| 5 | 111064 | 2 | Screw, Hx M5 x .8 x 48 |
| 6 | 216585 | 2 | Nut, Lock M5 |
| 7 | 216591 | 1 | Washer, Flat M5 |
| 8 | 300069 | 1 | Case Assembly |
| 9 | | 1 | Air Box |
| 10 | 215992 | 1 | Grommet, Choke |
| 11 | 227022 | 2 | Bushing |
| 12 | 223730 | 1 | Kit, Choke Assembly |
| 13 | | 1 | Plate, Choke Shutter |
| 14 | 219016 | 1 | Spring, Shutter |
| 15 | | 1 | Shutter, Choke Lever |
| 16 | 229524 | 2 | Nut |
| 17 | | | CARBURETOR ASSEMBLY See "Carburetor Assembly" illustration and parts list. |
| 18 | 224148 | 1 | Gasket, Carburetor |
| 19 | 111063 | 2 | Screw, M5 x .8 x 21.5 |
| 20 | 223984 | 1 | Insulator, S/T |
| 21 | 224319 | 1 | Insulator, Carburetor |
| 22 | 224315 | 1 | Gasket, Shield/Insulator |
| 23 | 224318 | 1 | Gasket, Shield/Insulator |
| 24 | 219508 | 2 | Screw, M4 x 17 SEMS TORX |
| 25 | 229121 | 4 | Bushing |
| 26 | 215874 | 1 | Screw, PN M4 x 9.5 TORX |
| 27 | 68497 | 1 | Washer |
| 28 | 224351 | 1 | Shield, Muffler |
| 29 | 222480 | 2 | Stud, Muffler |
| 30 | 224266 | 1 | Shield, Muffler Heat |
| 31 | 224350 | 1 | Nut, M4 Speed |
| 32 | 300632 | 1 | Kit, Muffler, Universal |
| 33 | 322011 | 1 | Muffler Asy, Universal |
| 34 | 322018 | 1 | Screen Spark Arrester |
| 35 | 322017 | 1 | Plate, Deflector |
| 36 | 215515 | 2 | Gasket, Muffler |
| 37 | 235642 | 2 | Nut, M5 |
| 38 | 216022 | 2 | Screw, PN M4 x 23.4 TORX |
| 39 | 217669 | 1 | Screw, PN M4 x 25 TORX S |
| 40 | 224111 | 1 | Starter Assembly |
| 41 | 224110 | 1 | Housing, Starter Assembly |
| 42 | 218932 | 1 | Guide, Rope |
| 43 | 219585 | 3 | Spacer |
| 44 | 218941 | 1 | Washer, Nylon |
| 45 | 216792 | 1 | Handle, Starter |
| 46 | 300474 | 1 | Spring, Starter Rewind |
| 47 | 301252 | 1 | Kit, Drum/Rope |
| 48 | 216093 | 1 | Rope, Starter 36" |
| 49 | 216590 | 1 | Washer, Flat M4 |
| 50 | 215874 | 1 | Screw, PN M4 x 9.5 TORX |
| 51 | 217382 | 1 | Cushion, Fuel Tank |
| 52 | 223898 | 1 | Tank Assembly, Fuel |
| 53 | 225057 | 1 | Hose, Fuel |
| 54 | 216985 | 1 | Pickup, Fuel |

| Ref # | Part Number | Qty | Description |
|-------|-------------|-----|------------------------------------|
| 55 | 225058 | 1 | Hose, Return |
| 56 | 224993 | 1 | Cap, Fuel |
| 57 | 217390 | 1 | Cushion, Fuel Tank |
| 58 | 225037 | 1 | Starter Pawl Assembly |
| 59 | 216583 | 1 | Nut, Hex M8 |
| 60 | 224118 | 1 | Housing Assembly, Fan |
| 61 | 224116 | 1 | Housing, Fan |
| 62 | 215534 | 1 | Plate, Thrust |
| 63 | 218065 | 1 | Drum Assembly, Clutch |
| 64 | 213186 | 1 | Ring, Retaining |
| 65 | 213187 | 1 | Bearing, Ball |
| 66 | | 1 | Drum, Clutch |
| 67 | 217158 | 1 | Screw, Hex M5 x 35 |
| 68 | 217159 | 1 | Nut, Hex M5 |
| 69 | 216591 | 2 | Washer, Flat M5 |
| 70 | 224125 | 1 | Housing Assembly, Fan A/V |
| 71 | 224439 | 1 | Housing, A/V Asy |
| 72 | 227700 | 1 | Clamp (Upper) |
| 73 | 227701 | 1 | Clamp (Lower) |
| 74 | 235804 | 2 | Screw, M5 x 30 |
| 75 | 236381 | 1 | Screw |
| 76 | 236529 | 1 | Washer |
| 77 | 218065 | 1 | Drum Assembly, Clutch |
| 78 | 213186 | 1 | Ring, Retaining |
| 79 | 213187 | 1 | Bearing, Ball |
| 80 | | 1 | Drum, Clutch |
| 81 | 213177 | 4 | Screw, PN M4 2 x 18.5 TORX |
| 82 | 217554 | 1 | Clutch Assembly |
| 83 | | 2 | Shoe, Clutch |
| 84 | 223770 | 2 | Spring, Clutch |
| 85 | 215536 | 1 | Rotor, Clutch |
| 86 | 215539 | 1 | Plate, Side |
| 87 | 216022 | 2 | Screw, PN M4 x 23.4 TORX |
| 88 | 219383 | 1 | Wire Assembly, Switch |
| 89 | 219848-01 | 1 | Ignition Assembly |
| 90 | 223884 | 1 | Kit, Spark Plug Wire |
| 91 | 102556 | 1 | Connector, Spark |
| 92 | 95266 | 1 | Boot, Spark Plug |
| 93 | 215533-01 | 1 | Grommet, H/T Lead |
| | 110995 | 1 | Grommet, Spark Plug Wire Not Used |
| 94 | 322189 | 1 | Spark Plug DJ7Y |
| 95 | 222308 | 1 | Flywheel |
| 96 | 213178 | 1 | Screw, PN M5 x 8.5 SEMS T |
| 97 | 215540-01 | 1 | Cover, Cylinder |
| | 224165 | 1 | Cover, Cylinder |
| 98 | 217320 | 2 | Screw, PN M6 x 18 TORX SE |
| 99 | 224448 | 1 | Kit, Cylinder Plated/Gasket |
| | 225059-01 | 1 | Kit, Cylinder Plated/Gasket (25cc) |
| 100 | 223925 | 1 | Gasket, Cylinder |
| 101 | 301443 | 1 | Kit, Piston (21cc) |
| 102 | 223455 | 1 | Ring, Piston |
| 103 | 218275 | 1 | Pin, Wrist |
| 104 | 111026 | 2 | Ring, Snap Internal |
| 105 | 301317 | 1 | Kit, Piston (2-ring/25cc) |
| 106 | 301399 | 1 | Set, Rings (2 rings) |

| Ref # | Part Number | Qty | Description |
|-------|-------------|-----|----------------------------------|
| 107 | 223589 | 1 | Pin, Wrist |
| 108 | 111026 | 2 | Ring, Snap, Internal |
| 109 | 102164 | 1 | Key, Flywheel |
| 110 | 215541 | 1 | Grommet |
| 111 | 110984 | 1 | Bearing, Needle |
| 112 | 301203 | 1 | Kit, C'case/C'shaft/C'rod |
| 113 | 301153 | 1 | Crankcase Assembly |
| 114 | 213191 | 4 | Pin |
| 115 | 215545 | 1 | Gasket, Crankcase |
| 116 | 216027 | 4 | Screw, PN M5 x 28.5 SEMS |
| 117 | 83859 | 1 | Seal, C/Shaft Oil |
| 118 | 216500 | 1 | Seal |
| 119 | 301273 | 1 | Crankshaft/Ball Bearing Assembly |
| 120 | 213282 | 1 | Bearing, C/Shaft |
| 121 | 216143 | 1 | Bearing, Ball |
| 122 | 300653 | 1 | Kit, Heat Shield |
| 123 | | 1 | Bracket |
| 124 | 219194 | 2 | Screw, PN 5-20 x .438 ST |
| 125 | 300296 | 2 | Screw, 10-24 x .5 PN HD TX |
| 126 | 216682 | 2 | Nut, Hx Lock 10-24 |
| 127 | 300794 | 1 | Kit, Engine Stand |
| 128 | 216025 | 2 | Screw, PN M4 x 8 TORX SEM |
| 129 | 224967 | 1 | Label, Primer |
| 130 | 224968 | 1 | Label, Starting Instructions |

No
Diagram
Available

Parts List
Only

| Ref # | Part Number | Qty | Description |
|-------|-------------|-----|-------------------------------|
| | 322235 | | LOCTITE KIT |
| | 322236 | | RETAINING COMPOUND 620 (10ml) |
| | 322237 | | THREAD LOCKER 242 (10ml) |
| | 322238 | | GASKET ELIMINATOR 518 (50ml) |
| | 322239 | | BLACK MAX ADHESIVE 380 (28ml) |

No
Diagram
Available

Parts List
Only

| Ref # | Part Number | Qty | Description |
|-------|-------------|-----|----------------------|
| | 215432 | | Pressure Test Tool |
| | 217720 | | Torx Wrenches Kit |
| | 222785 | | T-25 Torx Drive 3.5" |