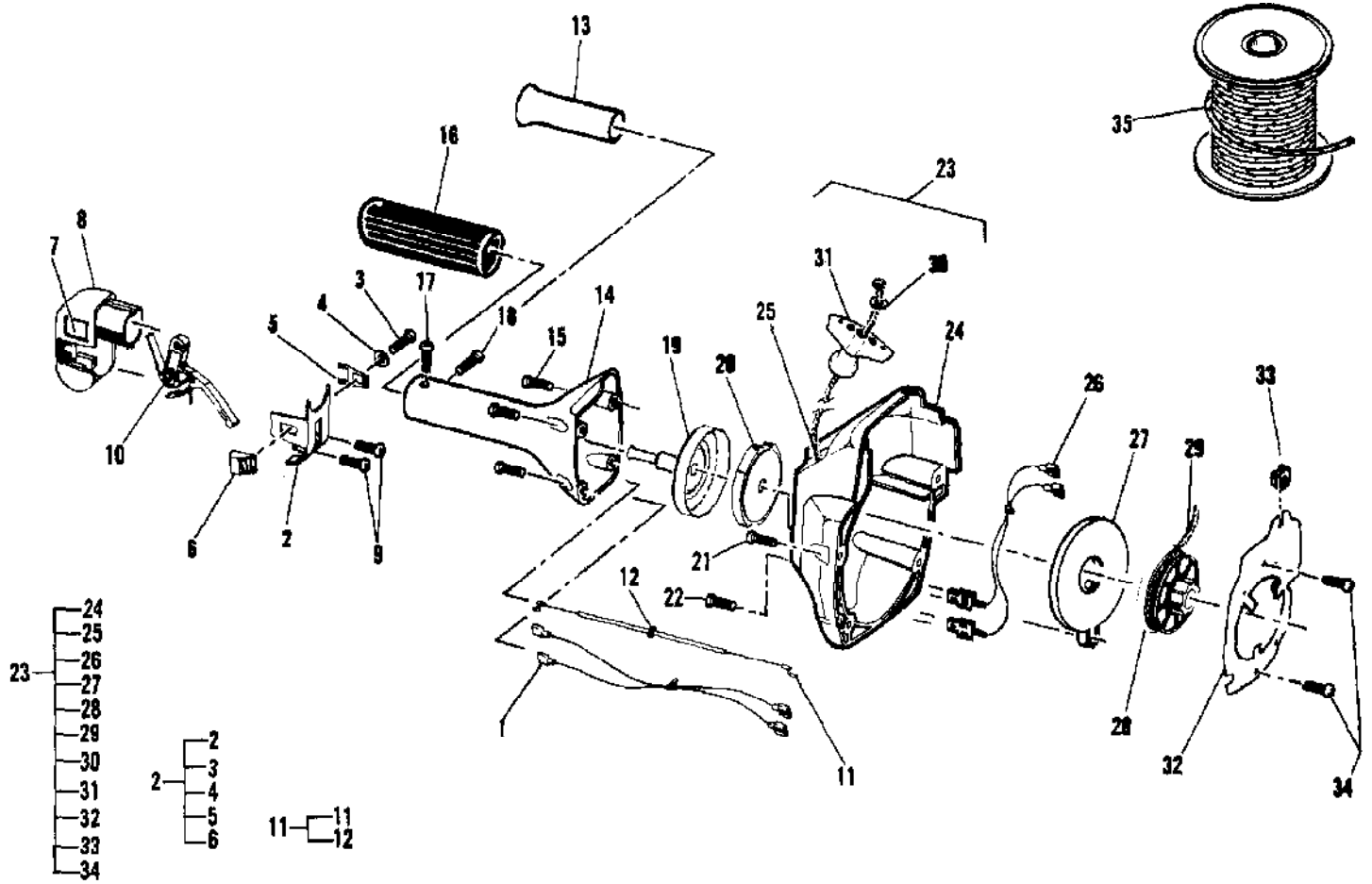
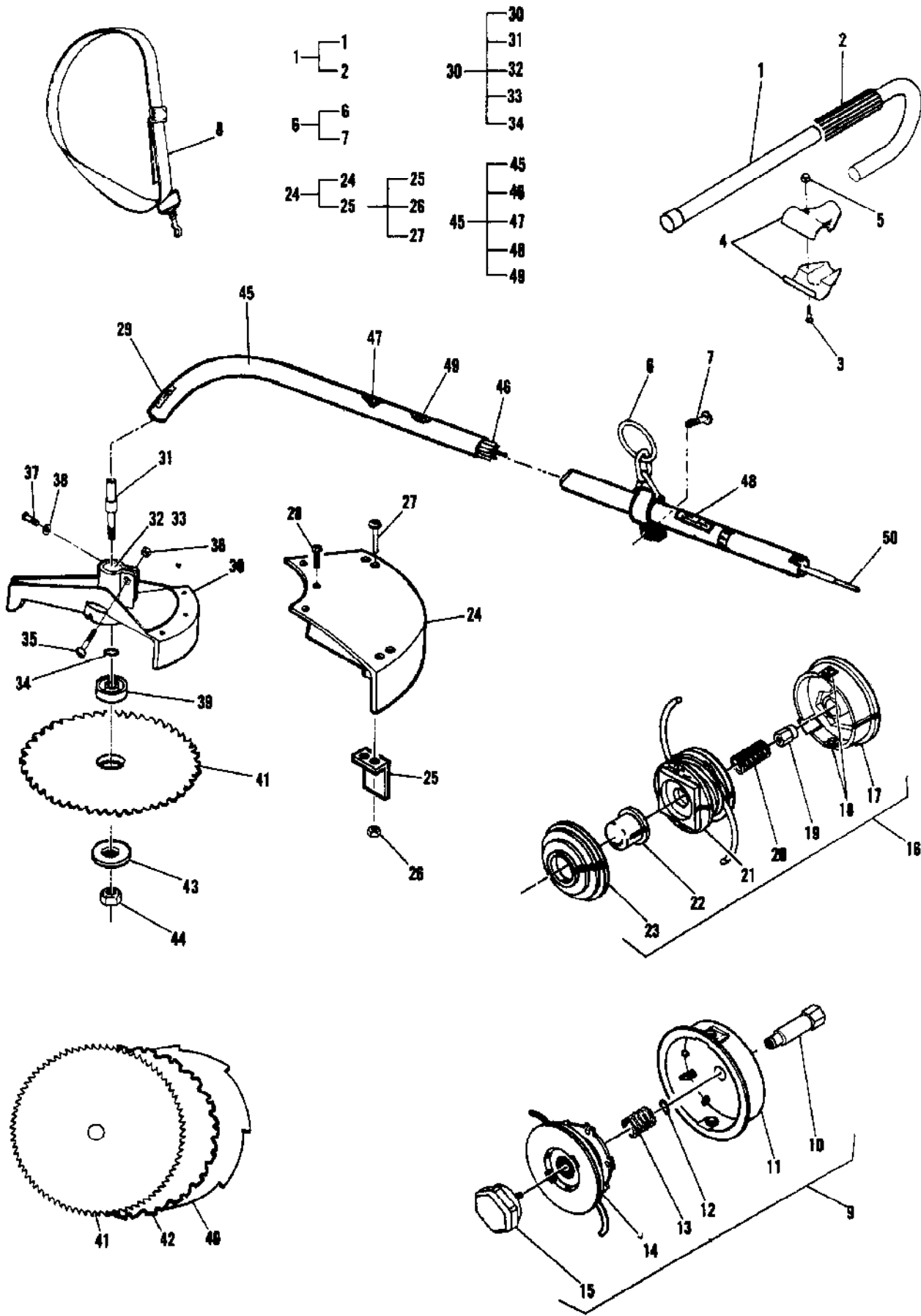


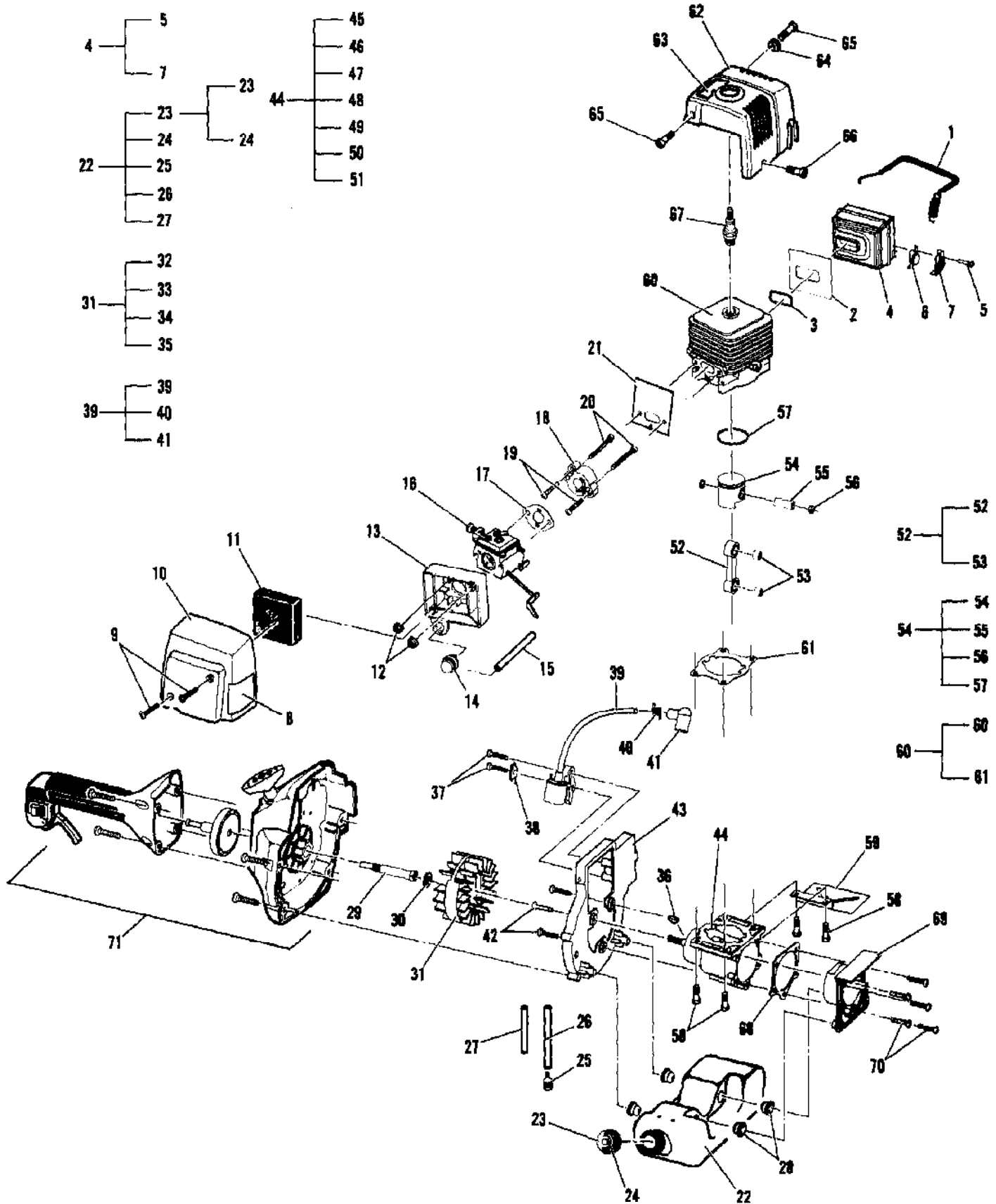
| Ref # | Part Number | Qty | Description |
|-------|-------------|-----|--------------------------------------|
| | 224033-02 | | Carburetor w/Choke Walbro WT-231A |
| 1 | | 1 | Ring, Screen Retainer |
| 2 | | 1 | Ring, Shaft Retainer |
| 3 | | 1 | Lever, Throttle |
| 4 | | 1 | Cover, Metering Lever |
| 5 | | 1 | Cover, Fuel Pump |
| 6 | | 1 | Shaft Assembly, Throttle |
| 7 | | 1 | Valve, Throttle |
| 8 | | 1 | Shaft Assembly, Choke |
| 9 | | 1 | Valve, Choke |
| 10 | | 1 | Valve, Inlet Needle |
| 11 | | 1 | Seat Assembly, Check Valve |
| 12 | | 1 | Plug, Cup 5mm |
| 13 | | 1 | Plug, Welch 5/16 |
| 14 | | 1 | Ball, Choke Friction |
| 15 | | 1 | Gasket, Metering Diaphragm |
| 16 | | 1 | Gasket, Fuel Pump |
| 17 | | 1 | Diaphragm, Fuel Pump |
| 18 | | 1 | Diaphragm Assembly, Metering |
| 19 | | 3 | Screw, Valve |
| 20 | | 1 | Screw, Metering Lever Pin |
| 21 | | 1 | Screw, Pump Cover |
| 22 | | 1 | Screw, Idle Adjust Kit |
| 23 | | 4 | Screw, Metering Cover |
| 24 | | 1 | Spring, Choke Friction |
| 25 | | 1 | Spring, Idle Needle |
| 26 | | 1 | Spring, High Speed Needle |
| 27 | | 1 | Spring, Throttle Return |
| 28 | | 1 | Spring, Metering Lever |
| 29 | | 1 | Needle, High Speed |
| 30 | | 1 | Needle, Idle |
| 31 | | 1 | Screen, Check Valve |
| 32 | | 1 | Screen, Fuel Inlet |
| 33 | | 1 | Pin, Metering Lever |
| 34 | | 1 | Lever, Metering |
| | 300457 | | Kit, Carburetor Repair |
| | 224460 | | Kit, Gasket / Diaphragm |



| Ref # | Part Number | Qty | Description |
|-------|-------------|-----|---------------------------------------|
| 1 | 224204 | 1 | Wire Assembly, Switch |
| 2 | 300064 | 1 | Cover Assembly, Switch |
| 3 | 111069 | 1 | Screw, 8-16 x .375 |
| 4 | 105497 | 1 | Washer, Flat (.180 IDmax) |
| 5 | 224246 | 1 | Contact, Switch |
| 6 | 224245 | 1 | Button, Stop Switch |
| 7 | 322081 | 1 | Label, ON/OFF Switch |
| 8 | 224234 | 1 | Trigger Housing Assembly |
| 9 | 111061 | 2 | Screw, 6-19 x .62 |
| 10 | 300361 | 1 | Trigger, Throttle |
| 11 | 300372 | 1 | Throttle Cable Assembly |
| 12 | 111074 | 1 | Nut, Speed .188 ID |
| 13 | 322234 | 1 | Sleeve, Protecting |
| 14 | 224912 | 1 | Housing, Clutch (Yellow) |
| | 300014 | 1 | Housing, Clutch (Grey) |
| 15 | 224919 | 4 | Screw, 10-14 x 1.0 |
| 16 | 322140 | 1 | Grip |
| 17 | 111070 | 1 | Screw, 12-11 x .5 Torx (top) |
| 18 | 111059 | 1 | Screw, 10-14 x .5 Torx |
| 19 | 224045 | 1 | Drum Assembly, Clutch |
| 20 | 300459 | 1 | Kit, Clutch |
| 21 | 111053 | 4 | Screw, 10-24 x .88 |
| 22 | 223357 | 1 | Screw, 8-16 |
| 23 | 224916 | 1 | Starter Housing Assembly (Yel) |
| 24 | 300616 | 1 | Housing / Guide, Rope (Yel) |
| | 300013 | | Starter Housing Assembly (Grey) |
| | 300618 | 1 | Housing / Guide, Rope (Grey) |
| 25 | | 1 | Guide, Rope Not available separately. |
| 26 | 300369 | 1 | Wire Assembly |
| 27 | 300475 | 1 | Package, Spring / Starter Rwnd |
| 28 | 219496 | 1 | Pulley, Starter |
| 29 | 222869 | 1 | Rope, Starter (46") |
| 30 | 218941 | 1 | Washer, Nylon |
| 31 | 216792 | 1 | Handle, Starter |
| 32 | 224927 | 1 | Plate, Baffle |
| 33 | 215533-01 | 1 | Grommet, H/T Lead |
| 34 | 223357 | 2 | Screw, 8-16 |
| 35 | 300415 | | Rope, Bulk 250' Spool |



| Ref # | Part Number | Qty | Description |
|-------|-------------|-----|--|
| 1 | 300541 | 1 | Handle Assembly, Barrier |
| 2 | 322139 | 1 | Grip |
| 3 | 217935 | 2 | Screw, 10-24 x .50 Torx |
| 4 | 215337 | 2 | Clamp, Handle |
| 5 | 218315 | 2 | Nut |
| 6 | 218001 | 1 | Ring Assembly, Harness |
| 7 | | 1 | Bolt M5 x 13 Hex Not available separately. |
| 8 | 224083 | 1 | Harness |
| 9 | 225196 | 1 | String Head Asy (Mc-M R/T) |
| 10 | 225193 | 1 | Stud, Right Hand Thread |
| 11 | 300115 | 1 | Housing / Eyelet Assembly |
| 12 | 111073 | 1 | Ring, Retainer |
| 13 | 225206 | 1 | Spring, Small |
| 14 | 322112 | 1 | Spool Assembly, R/T 0.095" |
| 15 | 300002 | 1 | Knob Assembly, R/T |
| 16 | 322123 | 1 | String Head Assembly (M R/T) |
| 17 | 322124 | 1 | Housing |
| 18 | 219759 | 2 | Eyelet |
| 19 | 224907 | 1 | Arbor, 3/8 x 24 R/H FEMALE |
| 20 | 223740 | 1 | Spring |
| 21 | 224289 | 1 | Spool w/Line |
| 22 | 224910 | 1 | Button |
| 23 | 322125 | 1 | Cover |
| 24 | 300318 | 1 | Kit, Grass Shield (un-assem.) |
| 25 | 300628 | 1 | Kit, Knife |
| 26 | 216682 | 2 | Nut, Lock 10 24 Hex |
| 27 | 217936 | 2 | Screw, 10-24 x .50 Torx |
| 28 | 224175 | 3 | Screw, M6 x 15 |
| 29 | 322099 | 1 | Label, Debris Shield Warning |
| 30 | 300388 | 1 | Shield Assembly |
| 31 | 224081 | 1 | Spindle |
| 32 | 224159 | 1 | Washer, Flat |
| 33 | 217133 | 2 | Bearing, Ball |
| 34 | 224158 | 1 | Clip |
| 35 | 110588 | 1 | Screw, 12-24 x 1.12 Hex |
| 36 | 110950 | 1 | Nut, Lock 72-24 |
| 37 | 215874 | 1 | Screw, M4 x 9.5 Torx |
| 38 | 217672 | 1 | Washer, M4 Flat |
| 39 | 224154 | 1 | Collar |
| 40 | 216513-02 | 1 | Blade, Grass 08 Tooth |
| 41 | 216514-02 | 1 | Blade, Brush, 80 Tooth |
| 42 | 224455 | 1 | Pro Blade |
| 43 | 218075 | 1 | Flange, Spindle |
| 44 | 110594 | 1 | Nut, Lock 3/8-24 |
| 45 | 300430 | 1 | Housing Assembly, Outer |
| 46 | 322281 | 1 | Sleeve |
| 47 | 223408 | 1 | Decal, Warning Shaft |
| 48 | 219030 | 1 | Decal, Warning |
| 49 | 223407 | 1 | Decal, Ear / Eye Cover |
| 50 | 322023 | 1 | Shaft, Flex |



| Ref # | Part Number | Qty | Description |
|-------|-------------|-----|---|
| 1 | 224044 | 1 | Spring, Muffler |
| 2 | 224228 | 1 | Gasket, Muffler |
| 3 | 224922 | 1 | Gasket, Exhaust Port |
| 4 | 224034 | 1 | Muffler Assembly |
| 5 | 111072 | 1 | Screw, 8-18 x .31 PN HD Torx |
| 6 | 224040 | 1 | Screen, Spark Arrestor |
| 7 | 322032 | 1 | Cover, Spark Arrestor |
| 8 | 322101 | 1 | Label, Choke |
| 9 | 111065 | 2 | Screw, 10-14 x .625 |
| 10 | 224236 | 1 | Cover, Air Cleaner - Large (Blk) |
| | 300302 | 1 | Cover, Air Cleaner - Large (Grey) |
| 11 | 224239 | 1 | Filter, Air |
| 12 | 111058 | 2 | Nut, 10-24 Flange / Hex |
| 13 | 224238 | 1 | Box, Air (Blk) |
| | 300301 | 1 | Box, Air (Grey) |
| 14 | 224242-02 | 1 | Primer, Remote |
| 15 | 225163 | 1 | Hose, Fuel |
| 16 | | 1 | Carburetor w/Choke See "Carburetor Assembly" illustration and parts list. |
| 17 | 218933 | 1 | Gasket, Carburetor |
| 18 | 224041 | 1 | Manifold, Carburetor |
| 19 | 111053 | 2 | Screw, 10-24 x .88 |
| 20 | 111057 | 2 | Screw, 10-24 SPL |
| 21 | 322081 | 1 | Gasket, Manifold |
| 22 | 300669 | 1 | Kit, Fuel Tank/Cap |
| 23 | 300700 | 1 | Kit, Fuel Cap |
| 24 | 211242 | 1 | Decal (OPEN SLOWLY) |
| 25 | 218985 | 1 | Pickup, Fuel |
| 26 | 225162 | 1 | Hose, Fuel |
| 27 | 225163 | 1 | Hose, Fuel Return |
| 28 | 322105 | 4 | Isolator, Fuel Tank |
| 29 | 224025 | 1 | Adapter, Clutch |
| 30 | 105989 | 1 | Washer, .32 ID |
| 31 | 224021 | 1 | Flywheel / Pawl Assembly |
| 32 | | 2 | Pin, Starter Pawl |
| 33 | | 2 | Pawl |
| 34 | | 2 | Spring, Starter Pawl |
| 35 | | 2 | Washer, Starter Pawl |
| 36 | 102164 | 1 | Key, Flywheel |
| 37 | 111053 | 2 | Screw, 10-24 x .88 |
| 38 | 300321 | 1 | Terminal Tab |
| 39 | 300519 | 1 | Ignition Assembly |
| 40 | 102556 | 1 | Connector, Spark |
| 41 | 95266 | 1 | Boot, Spark Plug |
| 42 | 111054 | 3 | Screw, 10-24 x .625 |
| 43 | 224042 | 1 | Shroud, Engine Machined |
| 44 | 224020 | 1 | Crankcase / Shaft Assembly |
| 45 | | 1 | Crankshaft Assembly |
| 46 | | 1 | Crankcase, Machined |
| 47 | | 1 | Bearing 6202 |
| 48 | | 1 | Bearing 6202RS |
| 49 | | 1 | Seal |
| 50 | | 1 | Spacer |
| 51 | | 1 | O-Ring |
| 52 | 224009 | 1 | Connecting Rod Assembly |

| Ref # | Part Number | Qty | Description |
|-------|-------------|-----|--|
| 53 | 91117 | 2 | Bearing |
| 54 | 300661 | 1 | Kit, Piston, 28cc Aluminum |
| 55 | 300482 | 1 | Pin, Piston (10mm dia) |
| 56 | 215876 | 2 | Ring, Retaining |
| 57 | 224224 | 1 | Ring, Piston 35mm |
| | 300663 | 1 | Kit, Piston, 32cc Aluminum |
| | 300482 | 1 | Pin, Piston (10mm dia) See "Carburetor Assembly" illustration and parts list. |
| | 215876 | 2 | Ring, Retaining |
| | 224217 | 1 | Ring, Piston 38mm |
| 58 | 111065 | 4 | Screw, 10-24 x .688 |
| 59 | 322030 | 1 | Shield, Muffler |
| 60 | 300452 | 1 | Kit, Cylinder 28cc Chrome |
| 61 | 224022 | 1 | Gasket, Cylinder |
| | 300453 | 1 | Kit, Cylinder 32cc Chrome |
| | 224022 | 1 | Gasket, Cylinder |
| 62 | 224236 | 1 | Cover, Cylinder / Muffler (Blk) |
| | 300304 | 1 | Cover, Cylinder / Muffler (Grey) |
| 63 | 322097 | 1 | Label, Start Instructions |
| 64 | 322210 | 1 | Washer, Plastic |
| 65 | 111067 | 2 | Screw, 10-24 x .63 Torx |
| 66 | 111068 | 1 | Screw, 10-14 x 1.38 Taptite |
| 67 | 62345 | 1 | Spark Plug DJSJ |
| 68 | 224023 | 1 | Gasket, Crankcase |
| 69 | 224024 | 1 | Plug, Crankcase |
| 70 | 111065 | 5 | Screw, 10-24 x .688 |
| 71 | | | Clutch / Starter Assemblies See "Clutch/Starter Housing Assembly" illustration and parts list. |

No
Diagram
Available

Parts List
Only

| Ref # | Part Number | Qty | Description |
|-------|-------------|-----|--------------------------------|
| | 322235 | | LOCTITE KIT |
| | 322236 | | RETAINING COMPOUND 620 (10 ml) |
| | 322237 | | THREAD LOCKER 242 (10 ml) |
| | 322238 | | GASKET ELIMINATOR 518 (50 ml) |
| | 322239 | | BLACK MAX ADHESIVE 380 (01 oz) |

No
Diagram
Available

Parts List
Only

| Ref # | Part Number | Qty | Description |
|-------|-------------|-----|--------------------|
| | 215432 | | PRESSURE TEST TOOL |
| | 217720 | | KIT, TORX WRENCHES |
| | 222785 | | T-25 TORX DRIVE |