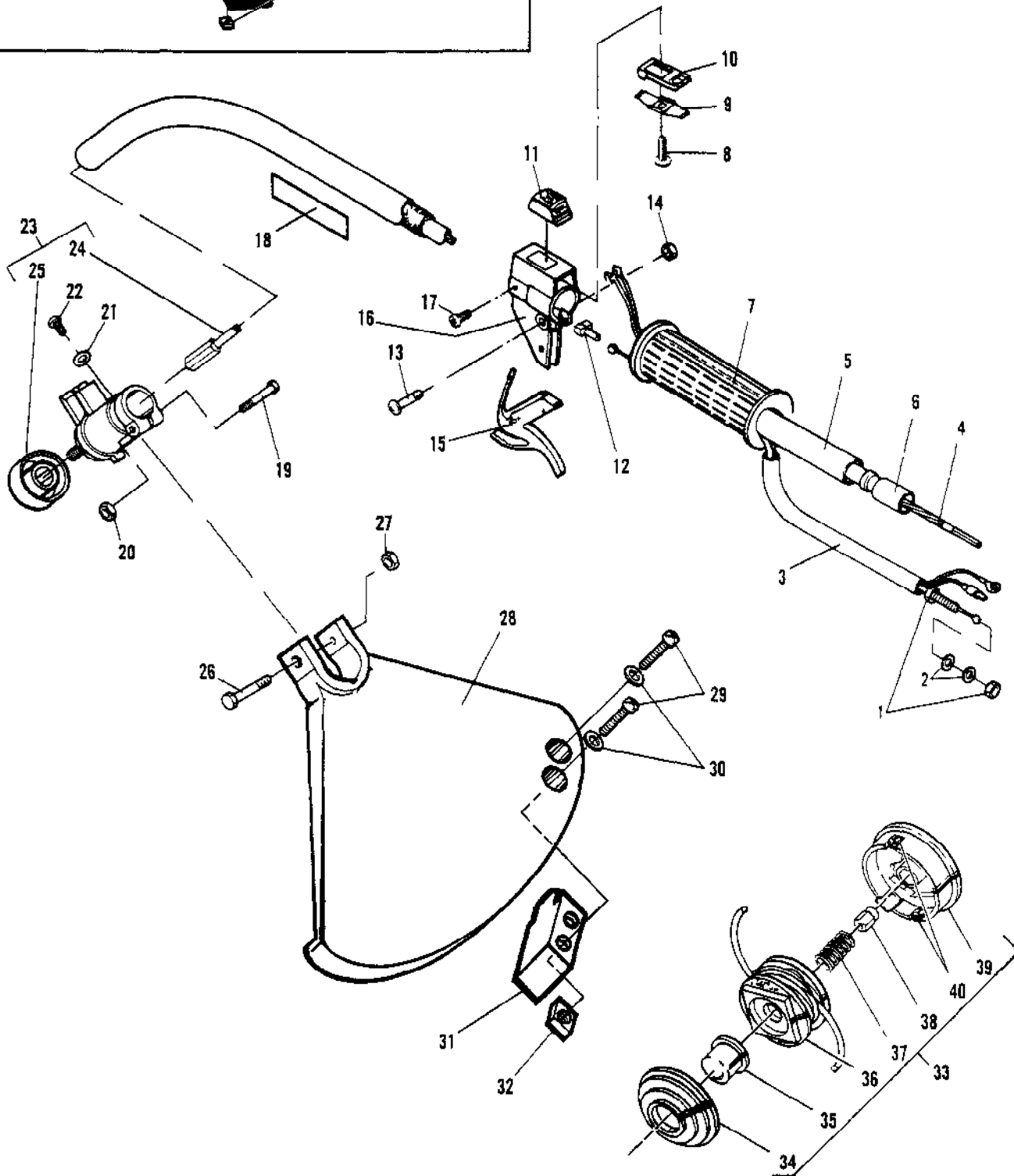
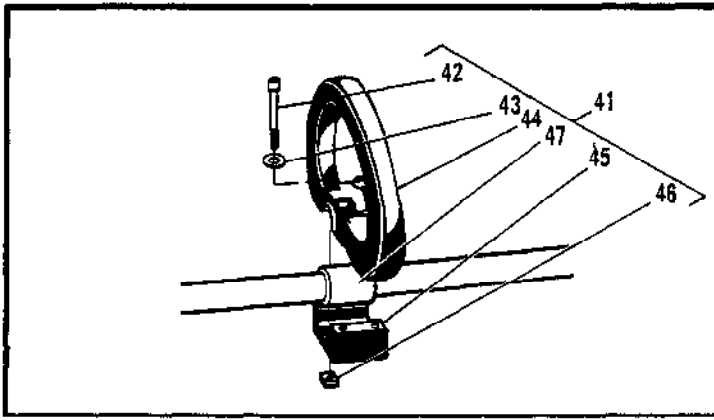
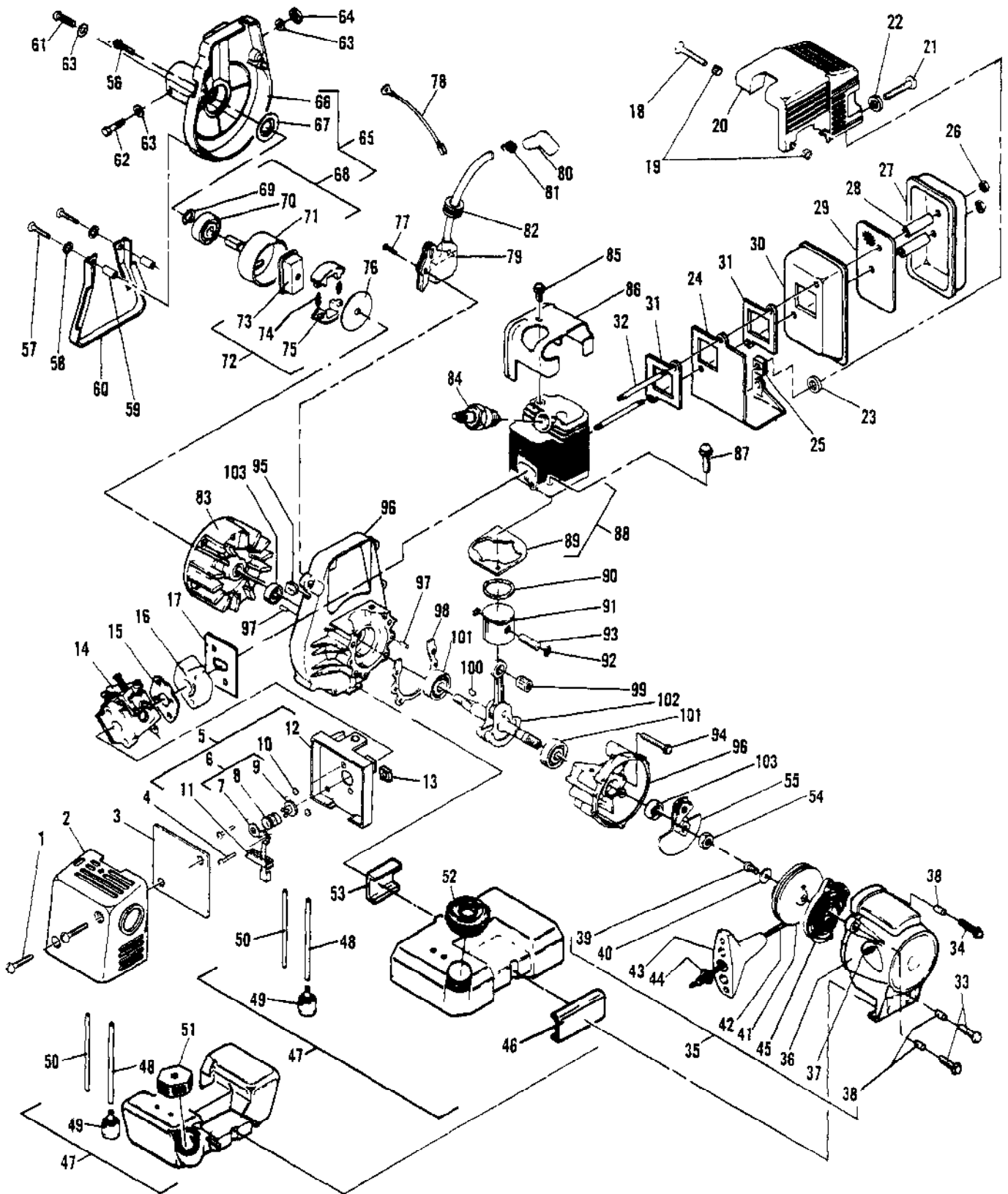


Ref #	Part Number	Qty	Description
1	224142-02	1	Carburetor Asy (WT 211)
2		2	Screw-Pump Cover Not available separately.
3		1	Cover-Primer Pump Not available separately.
4	223077	1	Primer-Pump
5	223913	1	Cover Asy Fuel-Pump
6		1	Screw-Idle Adjustment Not available separately.
7		1	Spring-Idle Screw Not available separately.
8		1	Gasket-Fuel Pump Not available separately.
9		1	Diaphragm-Fuel Pump Not available separately.
10		1	Screen-Fuel Pump Inlet Not available separately.
11		1	Shaft Assembly Throttle Not available separately.
12		1	Spring-Throttle Return Not available separately.
13		1	Ring-Shaft Retainer Not available separately.
14		1	Needle-Idle Not available separately.
15		1	Needle-High Speed Not available separately.
16		1	Spring-Idle Needle Not available separately.
17		1	Spring-High Speed Needle Not available separately.
18		1	Screw-Valve Not available separately.
19		1	Valve-Throttle Not available separately.
20		1	Screw-Metering Lever Pin Not available separately.
21		1	Pin-Metering Lever Not available separately.
22		1	Lever-Metering Not available separately.
23		1	Valve-Inlet Needle Not available separately.
24		1	Spring-Metering Lever Not available separately.
25		1	Seat Asy Check-Valve Not available separately.
26		1	Plug-Welch 5/16 Not available separately.
27		1	Plug-Welch 1/4 Not available separately.
28		1	Ring-Screen Retainer Not available separately.
29		4	Screen-Check Valve Not available separately.
30		1	Screw-Metering Cover Not available separately.
31		1	Cover-Metering Lever Not available separately.
32		1	Diaphragm Asy-Metering Not available separately.
33		1	Gasket-Metering Diaph. Not available separately.



Ref #	Part Number	Qty	Description
1	217403	2	Nut-Hex M6 x 1.0
2	216596	2	Washer-Flat M6
3	224150	1	Harness-Wiring
4	215324	1	Shaft-Flex
	218326	1	Shaft-Flex Drive
5	224101	1	Housing Asy-Outer
	224113	1	Housing Asy-Outer
6	217366	1	Sleeve
	217367	1	Sleeve
7	215322	1	Grip
8	110706	1	Screw-Pn 8-18 x .50 St H
9	215320	1	Contact-Switch
10	215319	1	Base-Stop Switch
11	68846	1	Button-Stop Switch
12	215323	1	Guide
13	216027	1	Screw-Pn M5 x 28.5 SEMS
14	217159	1	Nut-Hex M5
15	215318	1	Trigger-Throttle
16	222794	1	Housing-Trigger Throttle
17	223200	1	Screw-Self Tapping 10-16
18	218295	1	Decal-Warning
19	217937	1	Screw-Tr 10-24 x 1 T
20	218315	1	Nut
21	217672	1	Washer-M4 Flat
22	215874	1	Screw-Pn M4 x 9.5 TORX
23	218283	1	Housing Asy-Spindle
24	217471	1	Coupling
25	218214	1	D/C Collar
26	216595	1	Screw-Hx M6 x 50
27	215871	1	Nut-Hex M6 x 1
28	229956	1	Shield-Grass
29	235802	2	Screw-M5 x 14
30	235248	2	Washer-M5
31	229916	1	Knife
32	236732	2	Nut-M5 Square
33	224084	1	String Head Assembly
34	224909	1	Cover
35	224910	1	Button
36	224289	1	Spool W/Line (.095)
37	223740	1	Spring-String Head
38	224907	1	Adapter R.H.
39	224908	1	Housing-Eyelet
40	219759	2	Eyelets
41	224977	1	Kit Loop-Handle
42	228320	4	Screw-M6 x 0.8 x 45
43	236936	4	Washer
44	227045	1	Loop-Handle
45	227046	1	Clamp-Handle
46	236642	4	Nut
47	224127	1	Spacer Handle



Ref #	Part Number	Qty	Description
1	216027	2	Screw-Pn M5 x 28.5 SEMS
2	227024	1	Cover Air-Cleaner
3	227023	1	Filter-Air
4	224326	2	Screw-Pn M5 x 55 TORX SS
5	223895	1	Case Asy-Air Box
6	223730	1	Kit Choke Assembly
7		1	Shutter-Choke Lever Not available separately.
8	219016	1	Spring-Shutter
9		1	Plate-Choke Shutter Not available separately.
10	227022	2	Bushing
11	215992	1	Grommet
12		1	Air Box Not available separately.
13	229524	2	Nut
14		1	Carburetor Assembly
15	224148	2	Gasket-Spacer
16	223984	1	Insulator-S/T
17	224315	1	Gasket-Shield Insulator
18	219508	2	Screw-Pn M4 x 17 SEMS TORX
19	227022	4	Bushing
20	224351	1	Shield-Muffler
21	215874	1	Screw-Pn M4 x 9.5 TORX
22	120045	1	Washer-M5
23	68497	1	Washer
24	224266	1	Shield-Muffler Heat
25	224350	1	Nut-M4 Speed
26	222247	2	Nut-Stud
27	224452	1	Cover-Muffler Asy
28	227036	2	Spacer-Muffler
29	224492	1	Kit-Screen Spark Arrestor
30	227028	1	Muffler-Body
31	215515	2	Gasket-Muffler
32	224354	2	Stud-Muffler
33	216022	2	Screw-Pn M4 x 23.4 TORX
34	217669	1	Screw-Pn M4 x 25 TORX S
35	224111	1	Starter Assembly
36	224110	1	Housing-Starter Asy
37	218932	1	Guide-Rope
38	219585	3	Spacer-Starter Hsg
39	215874	1	Screw-Pn M4 x 9.5 TORX
40	216590	1	Washer-Flat M4
41	216092	1	Drum-Rope Assembly
42	216093	1	Rope-Starter (36")
43	216792	1	Handle- Starter
44	218941	1	Washer-Nylon
45	217482	1	Spring-Starter
46	217382	1	Cushion-Fuel Tank
47	222239	1	Fuel Tank Assembly
	223898	1	Fuel Tank Assembly
48	217264	1	Hose Fuel
	225057	1	Hose-Fuel
49	216985	1	Pickup-Fuel
50	222238	1	Hose-Fuel Return
	225058	1	Hose-Return
51	224993	1	Cap-Fuel
52	222347-01	1	Cap Fuel

Ref #	Part Number	Qty	Description
53	217390	1	Cushion-Fuel Tank
54	216583	1	Nut-Hex M8
55	215525	1	Racthet Assembly
56	213177	4	Screw-Pn M4 2 x 18.5 Torx
57	222944	2	Screw-Tr Hd M4 x 0.7 x 35
58	100002	2	Washer 10 Plain
59	224940	2	Spacer Engine Stand
60	224126	1	Stand-Engine
61	213178	2	Screw-Pn M5 x 8.5 SEMS T
62	217158	1	Screw-Hex M5 x 35
63	216591	4	Washer-Flat M5
64	217159	1	Nut-Hex M5
65	224117	1	Housing Asy-Fan
66	224108	1	Housing-Fan
67	215534	1	Plate-Thrust
68	218065	1	Drum Asy-Clutch
69	213186	1	Ring-Retaining
70	213187	1	Bearing Ball
71	218063	1	Drum-Clutch
72	217554	1	Clutch Assembly
73	215536	1	Rotor-Clutch
74	223770	2	Spring-Clutch
75		2	Not available separately.
76	215539	1	Plate-Side
77	216022	2	Screw-Pn M4 x 23.4 TORX
78	219383	1	Wire Asy-Switch
79	219848	1	Ignition Assembly
80	95266	1	Boot-Spark Plug
81	102556	1	Connector-Spark
82	215533-01	1	Grommet H/T Lead
83	222308	1	Flywheel
84	62345	1	Spark Plug DJ8J
85	213178	1	Screw-Pn M5 x 8.5 SEMS T
86	215540	1	Cover Cylinder
87	217320	2	Screw-Pn M6 x 18 TORX SE
88	219084-01	1	Kit-Cylinder Gasket
89	215542	1	Gasket Cylinder
90	223455	1	Ring-Piston
91	224075	1	Piston-Mach
92	111026	2	Ring-Snap
93	218275	1	Pin-Wrist
94	216027	4	Screw-Pn M5 x 28.5 SEMS
95	215541	1	Grommet
96	223902	1	Crankcase Assembly
97	213191	4	Pin
98	215545	1	Gasket-Crankcase
99	110984	1	Bearing Needle
100	102164	1	Key-Flywheel
101	213282	2	Bearing Crankshaft
	216143	2	Bearing-Ball
102	218106-01	1	Crankshaft Asy
	222960	1	Crankshaft Asy
103	83859	2	Seal-Crankshaft Oil
	216500	2	Seal

No
Diagram
Available

Parts List
Only

Ref #	Part Number	Qty	Description
	215437		Tool-Oil Seal
	215438		Tool-Bearing Removal
	215441		Tool Clutch Puller
	215439		Tool Piston Driving
	215443		Plate-Pressure Test
	215444		Gasket Intake Pressure Test
	215445		Gasket-Exhaust Pressure Test
	217355		Wrench 8/10 mm (open end)
	216767		Lock Spindle
	218175		Socket-Wrench 9/16
	222785		T-25 TORX Drive 3.5"