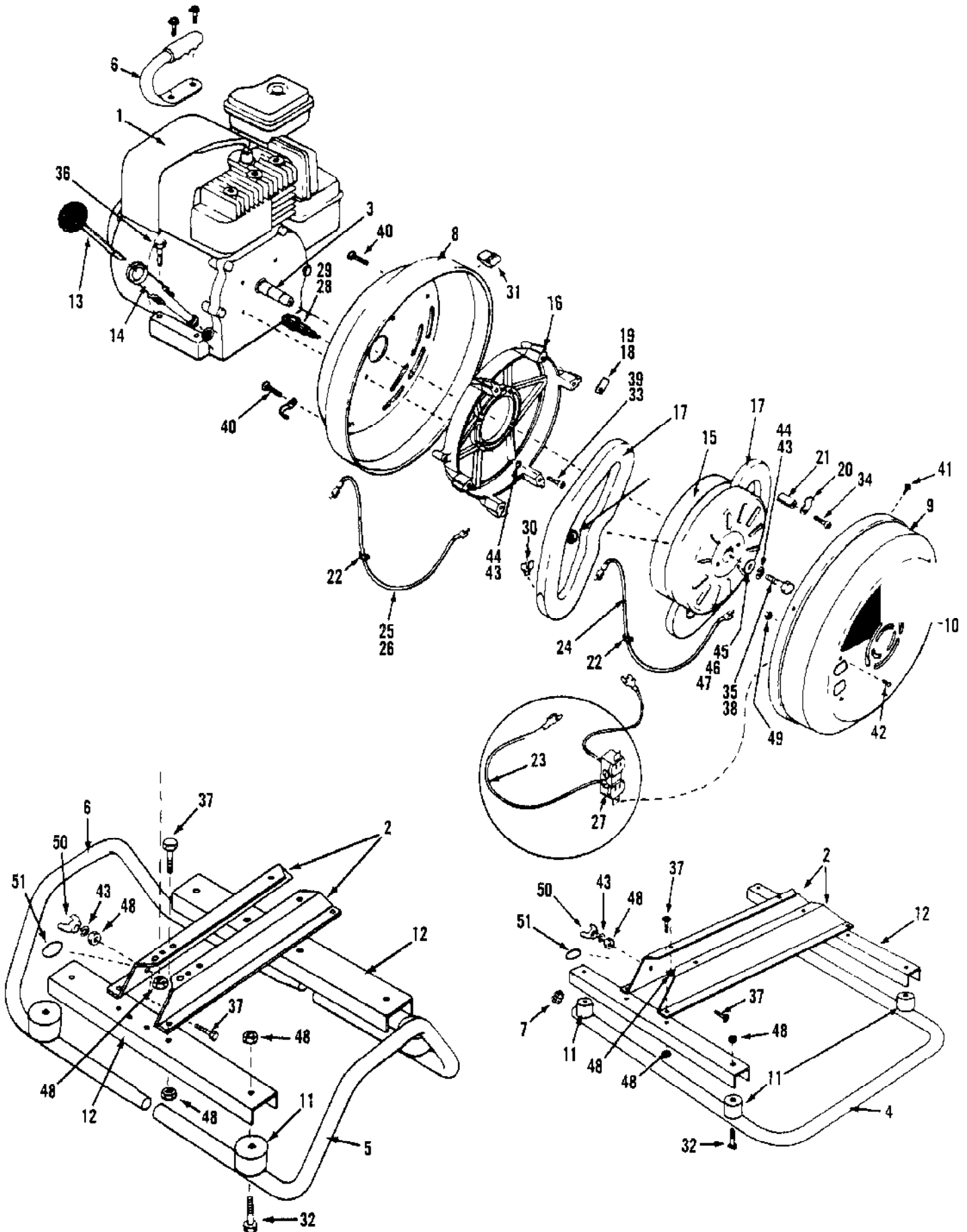


No
Diagram
Available

Parts List
Only

| Ref # | Part Number | Qty | Description |
|-------|-------------|-----|--------------------|
| | 210983 | | Stator Shims 1/32" |
| | 22136 | | Stator Shims 3/64" |
| | 210985 | | Stator Shims 1/16" |
| | 22137 | | Stator Shims 5/64" |
| | 22138 | | Stator Shims 3/32" |
| | 22139 | | Stator Shims 7/64" |
| | 22140 | | Stator Shims 1/8" |
| | 22141 | | Stator Shims 9/64" |



| Ref # | Part Number | Qty | Description |
|-------|-------------|-----|---|
| 1 | 210499 | 1 | Engine |
| 2 | 21844 | 2 | Engine Rail |
| 3 | 22120 | 1 | Crankshaft |
| 4 | | | Tube Base Not required for this model |
| 5 | 21862 | 2 | Cradle Half |
| 6 | | | Handle Assembly Not required for this model |
| 7 | | | Hole Plug Not required for this model |
| 8 | 21681 | 1 | Back Cover |
| 9 | 220748 | 1 | Front Cover |
| 10 | 210079 | 1 | Front Cover Label |
| 11 | 21804 | 4 | Isolator |
| 12 | 22002 | 2 | Isolator Channel |
| 13 | | | Dipstick Not required for this model |
| 14 | | | Dipstick Tube Assembly Not required for this model |
| 15 | 22106 | 1 | Rotor |
| 16 | 22093 | 1 | Stator Mount |
| 17 | 21866 | 2 | Stator Half |
| 18 | 21884 | 1 | Stator Shim Kit (1/32" pkg/3) See "Additional Stator Shims Available" parts list. |
| 19 | 21885 | 1 | Stator Shim Kit (1/16" pkg/3) See "Additional Stator Shims Available" parts list. |
| 20 | 21850 | 6 | Holding Spring |
| 21 | 21860 | 6 | Bushing |
| 22 | 21643 | 6 | Wire Keeper |
| 23 | 210244 | 1 | Wiring Harness (wires only) |
| 24 | | | Jumper Wire Not required for this model |
| 25 | 210246 | 1 | Fuse Wire |
| 26 | 210247 | 1 | Fuse Wire |
| 27 | 22018 | 1 | Receptacle, 110v |
| 28 | 21270 | 2 | Fuse Holder |
| 29 | 21280 | 2 | Fuse |
| 30 | | | Terminal Not required for this model |
| 31 | 21726 | 4 | Speed Nut |
| 32 | 21876 | 4 | Bolt, Curved Head (5/16-18 x 1-1/4) |
| 33 | | | Screw, Hex Head Cap (5/16-24 x 1) Not required for this model |
| 34 | 21950 | 6 | Screw, Hex Head Cap (1/4-20 x 1-1/4) |
| 34 | | | Stator Retaining Bolt Torque Value 55-60 In. lbs. |
| 35 | | | Screw, Hex Head Cap (5/16-24 x 2-3/8) Not required for this model |
| 36 | 21878 | 4 | Screw, Hex Head Cap (5/16-18 x 3/4) |
| 37 | 21647 | 5 | Screw, Hex Head Cap (5/16-18 x 1) |
| 38 | 22090 | 1 | Screw, Hex Head Cap (3/8-24 x 3-3/4) |
| 38 | | | Rotor Retaining Bolt Torque Value 360-420 In. lbs. |
| 39 | 21003 | 4 | Screw, Hex Head Cap (3/8-16 x 1) |
| 39 | | | Retaining Bolts Engine to Back Cover. Torque Value 216-240 In. lbs. |
| 40 | 22070 | 4 | Screw, Thread Forming (1/4-20 x 3/4) |
| 40 | | | Casting Head Bolts Torque Value 60-70 In. lbs. |
| 41 | 21650 | 4 | Screw, Pan Head Sheet Metal (No. 8) |
| 42 | 21899 | 2 | Screw, Round Head Machine (No. 8-32 x 1/2) |
| 43 | 21657 | 1 | Washer, Lock (5/16) |
| 44 | 21130 | 5 | Washer, Lock (3/8) |

| Ref # | Part Number | Qty | Description |
|-------|-------------|-----|--|
| 45 | | | Washer, Flat (5/16 x 3/16) Not required for this model |
| 46 | | | Washer, Flat (3/8 x 1/8) Not required for this model |
| 47 | 22092 | 1 | Washer, Flat (3/8 x 1/4) |
| 48 | 21653 | 13 | Nut, Keps (5/16-18) |
| 49 | 21675 | 2 | Nut, Keps (No. 8-32) |
| 50 | 21654 | 1 | Nut, Wing (5/16-18) |
| 51 | 22142 | 1 | Ground Label |
| | | | Engine Head Bolts Torque Value 165 In. lbs. |

No
Diagram
Available

Parts List
Only

| Ref # | Part Number | Qty | Description |
|-------|-------------|-----|---|
| | 21708 | | HP-1200, HP-2000 Propane Conversion Kit |
| | 21502 | | HP-3000 Propane Conversion Kit |

No
Diagram
Available

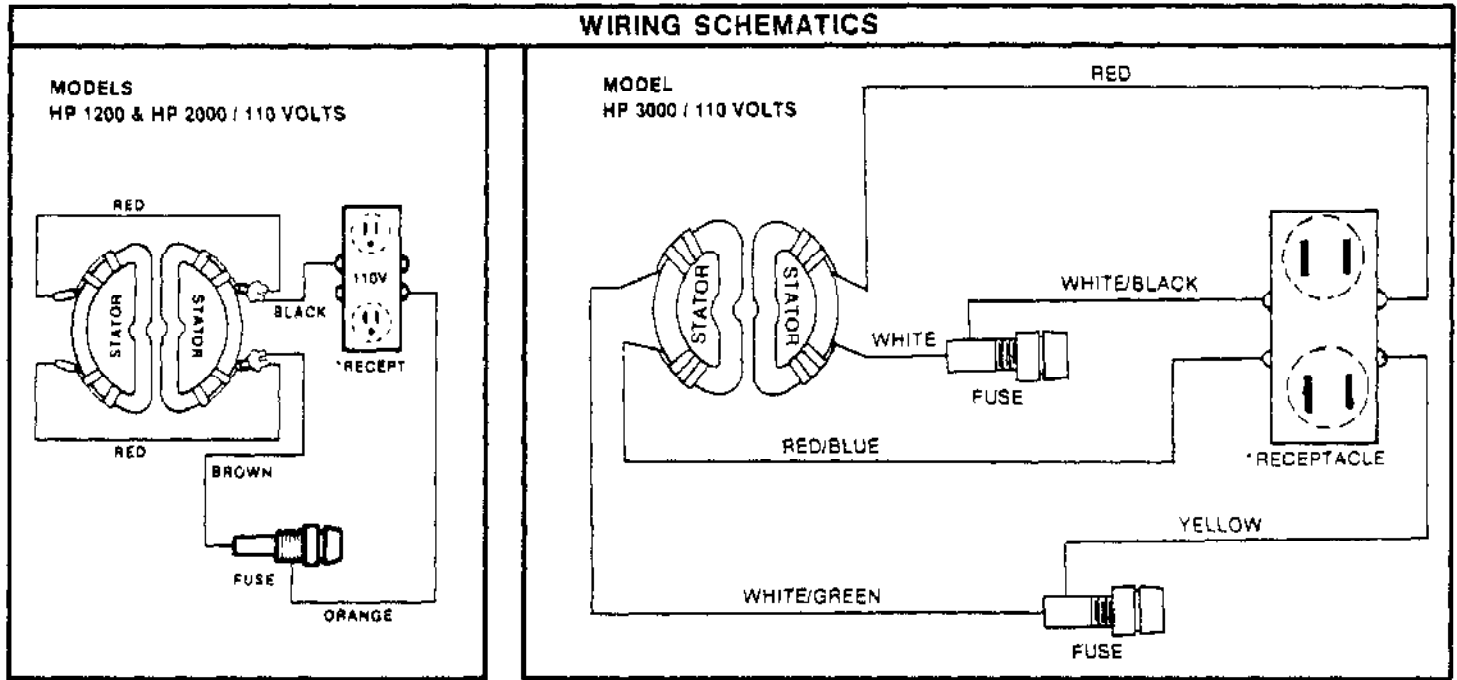
Parts List
Only

| Ref # | Part Number | Qty | Description |
|-------|-------------|-----|---------------------------------|
| | 392191 | | HP-1200 Spark Arrester |
| | 392195 | | HP-2000, HP-3000 Spark Arrester |

No
Diagram
Available

Parts List
Only

| Ref # | Part Number | Qty | Description |
|-------|-------------|-----|----------------------------------|
| | 210118 | | Tool Kit Complete |
| | 21880 | | Rotor Holding Wrench |
| | 21925 | | Stator Clearance Gage |
| | 21877 | | Stator Shim Gage |
| | 21509 | | Rotor Gap Gage |
| | 21882 | | Rotor Puller Bolt (8" Rotor) |
| | 210117 | | Rotor Puller Bolt (9-1/2" Rotor) |
| | 22145 | | Puller Bolt Pilot |



*SWITCH AND RECEPTACLES SHOWN BACK VIEW