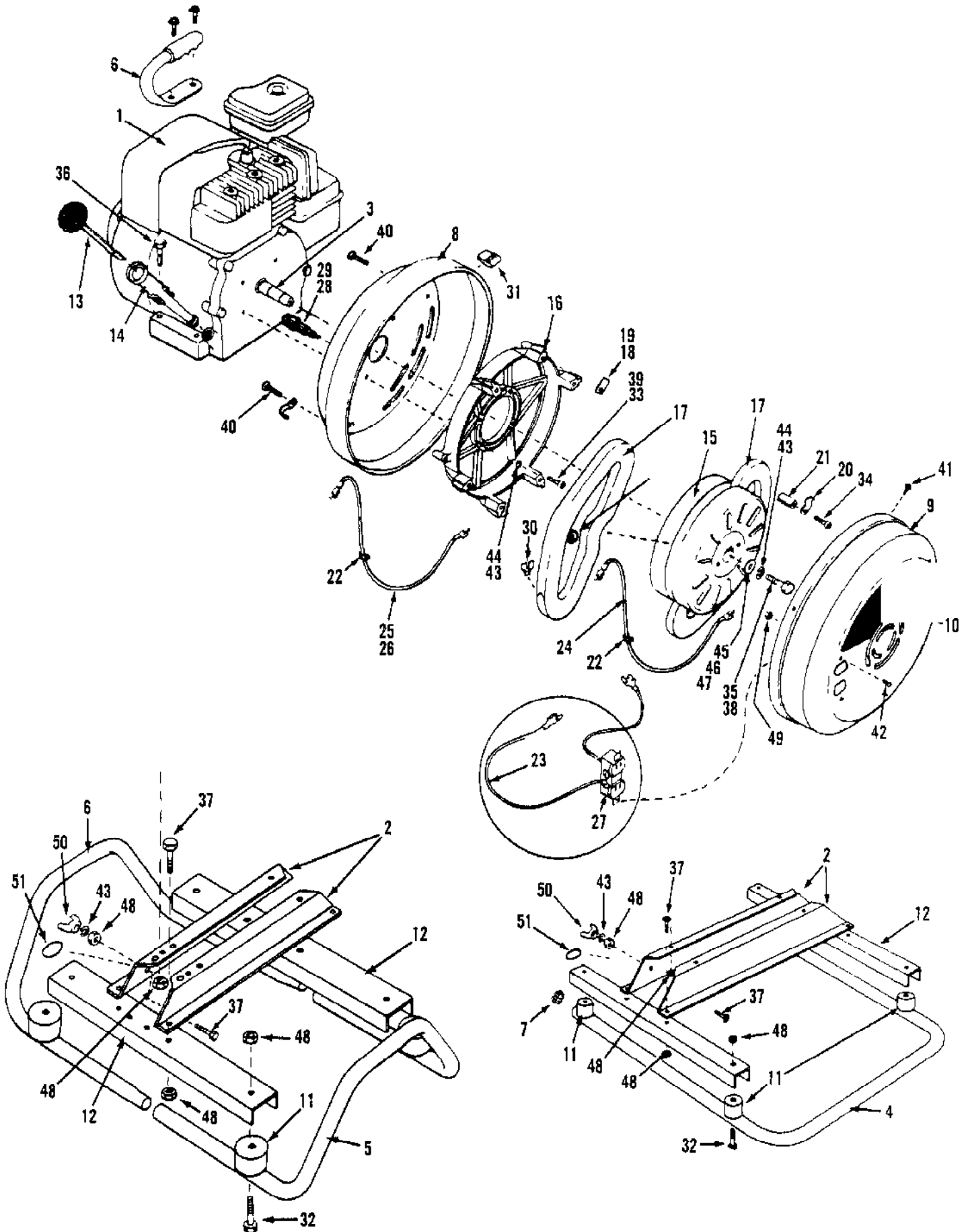


No  
Diagram  
Available  
  
Parts List  
Only

Ref #	Part Number	Qty	Description
	210983		Stator Shims 1/32"
	22136		Stator Shims 3/64"
	210985		Stator Shims 1/16"
	22137		Stator Shims 5/64"
	22138		Stator Shims 3/32"
	22139		Stator Shims 7/64"
	22140		Stator Shims 1/8"
	22141		Stator Shims 9/64"



Ref #	Part Number	Qty	Description
1	210498	1	Engine
2	21844	2	Engine Rail
3	22128	1	Crankshaft
4			Tube Base Not required for this model
5	21901	2	Cradle Half
6			Handle Assembly Not required for this model
7			Hole Plug Not required for this model
8	21602	1	Back Cover
9	21666	1	Front Cover
10	210077	1	Front Cover Label
11	21804	4	Isolator
12	21845	2	Isolator Channel
13	21989	1	Dipstick
14	21853	1	Dipstick Tube Assembly
15	22171	1	Rotor
16	22094	1	Stator Mount
17	21848	2	Stator Half
18	21884	1	Stator Shim Kit (1/32" pkg/3) See "Additional Stator Shims Available" parts list.
19	21885	1	Stator Shim Kit (1/16" pkg/3) See "Additional Stator Shims Available" parts list.
20	21850	6	Holding Spring
21	21860	6	Bushing
22	21643	6	Wire Keeper
23	22172	1	Wiring Harness (wires only)
24	22098	2	Jumper Wire
25	210242	1	Fuse Wire
26			Fuse Wire Not required for this model
27	21788	1	Receptacle, 110v
28	21270	1	Fuse Holder
29	21281	1	Fuse
30	21874	2	Terminal
31	21726	4	Speed Nut
32	21876	4	Bolt, Curved Head (5/16-18 x 1-1/4)
33	22068	4	Screw, Hex Head Cap (5/16-24 x 1)
33			Retaining Bolts Engine to Back Cover. Torque Value 120-144 In.lbs.
34	21950	6	Screw, Hex Head Cap (1/4-20 x 1-1/4)
34			Stator Retaining Screws Torque Value 55-60 In.lbs.
35			Screw, Hex Head Cap (5/16-24 x 2-3/8) Not required for this model
36	21878	4	Screw, Hex Head Cap (5/16-18 x 3/4)
37	21647	5	Screw, Hex Head Cap (5/16-18 x 1)
38	22090	1	Screw, Hex Head Cap (3/8-24 x 3-3/4)
38			Rotor Retaining Bolt Torque Value 360-420 In.lbs.
39			Screw, Hex Head Cap (3/8-16 x 1) Not required for this model
40	22070	3	Screw, Thread Forming (1/4-20 x 3/4)
40			Casting Retaining Bolts Torque Value 60-70 In.lbs.
41	21650	4	Screw, Pan Head Sheet Metal (No. 8)
42	21899	2	Screw, Round Head Machine (No. 8-32 x 1/2)
43	21657	6	Washer, Lock (5/16)
44	21130	1	Washer, Lock (3/8)

Ref #	Part Number	Qty	Description
45			Washer, Flat (5/16 x 3/16) Not required for this model
46	22132	1	Washer, Flat (3/8 x 1/8)
47			Washer, Flat (3/8 x 1/4) Not required for this model
48	21653	13	Nut, Keps (5/16-18)
49	21675	2	Nut, Keps (No. 8-32)
50	21654	1	Nut, Wing (5/16-18)
51	22142	1	Ground Label
			Engine Head Bolts Torque Value 140 In.lbs.

No  
Diagram  
Available  
  
Parts List  
Only

Ref #	Part Number	Qty	Description
	21708		HP-1200, HP-2000 Propane Conversion Kit
	21502		HP-3000 Propane Conversion Kit

No  
Diagram  
Available  
  
Parts List  
Only



Ref #	Part Number	Qty	Description
	392191		HP-1200 Spark Arrester
	392195		HP-2000, HP-3000 Spark Arrester

No  
Diagram  
Available  
  
Parts List  
Only

Ref #	Part Number	Qty	Description
	210118		Tool Kit Complete
	21880		Rotor Holding Wrench
	21925		Stator Clearance Gage
	21877		Stator Shim Gage
	21509		Rotor Gap Gage
	21882		Rotor Puller Bolt (8" Rotor)
	210117		Rotor Puller Bolt (9-1/2" Rotor)
	22145		Puller Bolt Pilot

