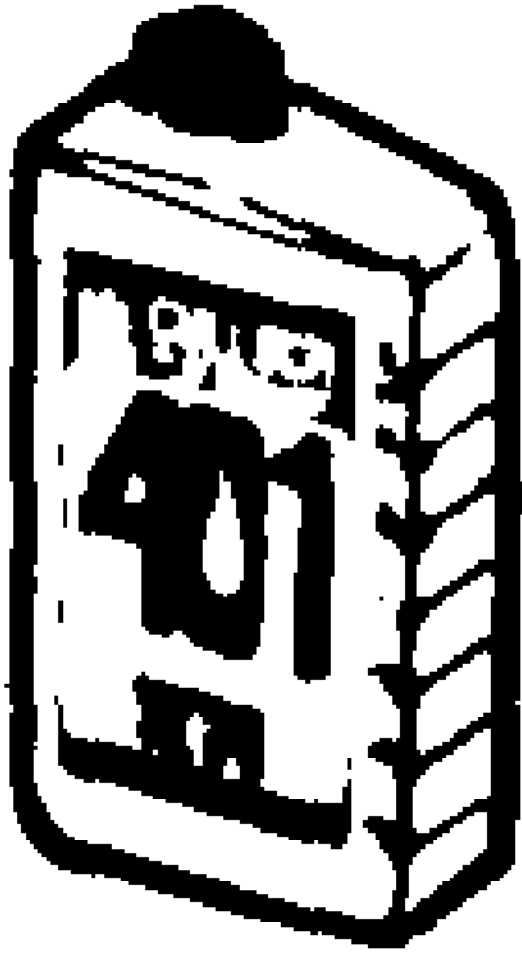


61753

| Ref # | Part Number | Qty | Description |
|-------|-------------|-----|---|
| 61753 | 61753 | | "Break All" Chain Breaker Required when repairing chain; Instructions included. |



78960

78961

78963

78964

110626

| Ref # | Part Number | Qty | Description |
|--------|-------------|-----|--|
| 78960 | 78960 | | 40:1 Two-Cycle Motor Oil - 6oz. can |
| 78961 | 78961 | | 40:1 Two-Cycle Motor Oil - 6-pack (6oz. can) |
| 78963 | 78963 | | 40:1 Two-Cycle Motor Oil - 16oz. can |
| 78964 | 78964 | | 40:1 Two-Cycle Motor Oil - 6-pack (16oz.can) |
| 110626 | 110626 | | 40:1 Two-Cycle Motor Oil - 1 qt. bottle |

No
Diagram
Available

Parts List
Only

| Ref # | Part Number | Qty | Description |
|-------|-------------|-----|--------------------------------------|
| | 83434 | | Manual - Owner's |
| | 63746 | | Scrench |
| | 63341A | | Kit - Spike |
| | 62827 | | Wrench |
| | 65712 | | Guide - Timing |
| | 63432 | | Spark Plug - AC CS42T |
| | 65778 | | Spark Plug - AC CS41T |
| | 69210 | | Piston Assy - 0.020 in. oversize |
| | 62813 | | Ring Set - Piston 0.020 in. oversize |
| | 69211 | | Piston Assy - 0.030 in. oversize |
| | 62812 | | Ring Set - Piston 0.030 in. oversize |
| | 64330 | | Bar Plate Set |
| | 63084 | | Manual - Shop |
| | 69058 | | Kit - Wrap around frame |
| | 69191 | | Kit - Pressure test adaptor |
| | 83406 | | Kit - Spark arrester screen |
| | 84453 | | Kit - Piston tool |
| | 63541 | | Bar - 16 in. |
| | 62556M | | Chain Assy - 16 in. bar |



110631

110632

| Ref # | Part Number | Qty | Description |
|--------|-------------|-----|--|
| 110631 | 110631 | | Chain, Bar, and Sprocket Oil - 1qt. bottle |
| 110632 | 110632 | | Chain, Bar, and Sprocket Oil - Case of 24 (1qt. Bottles) |



A



B

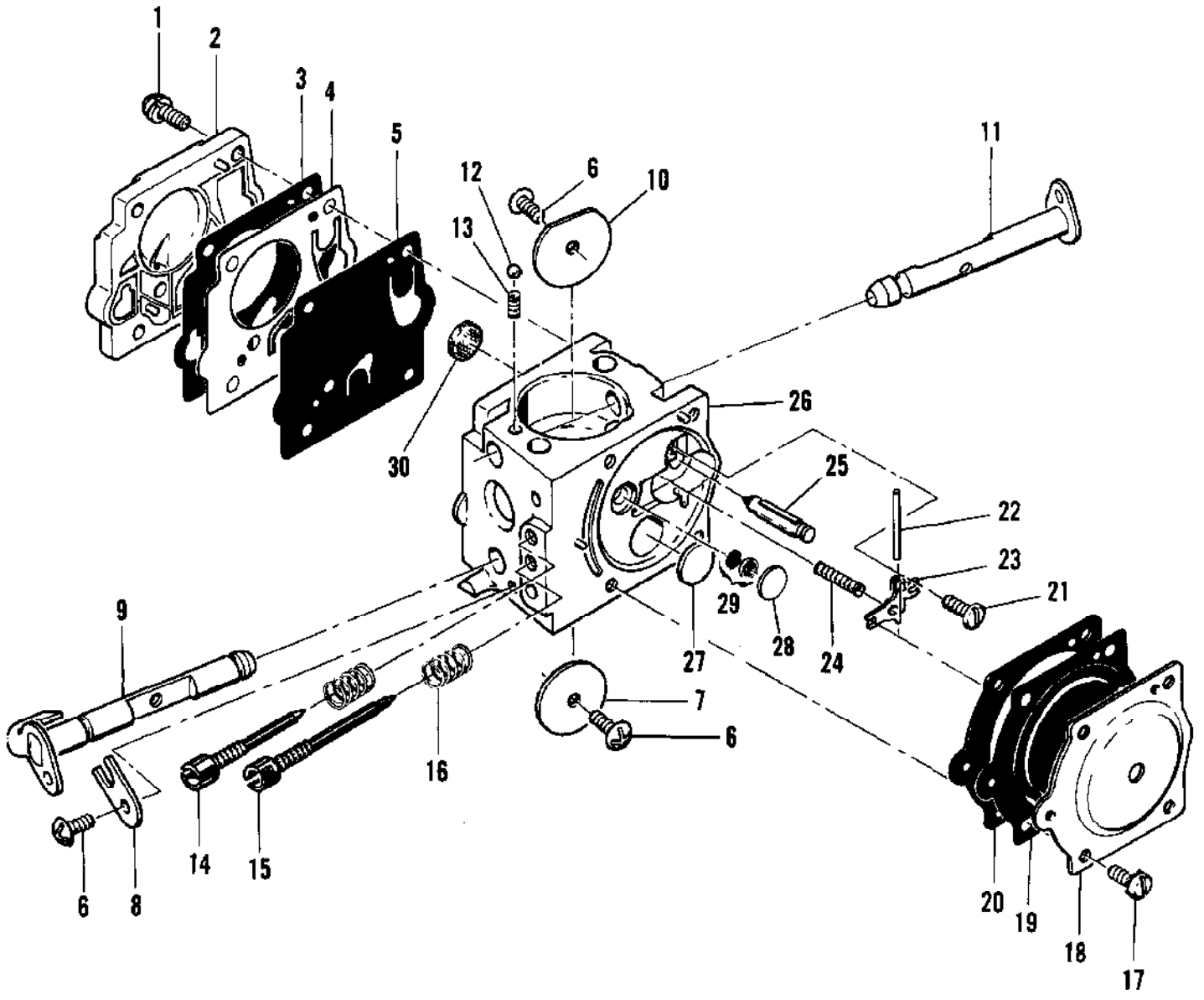


C

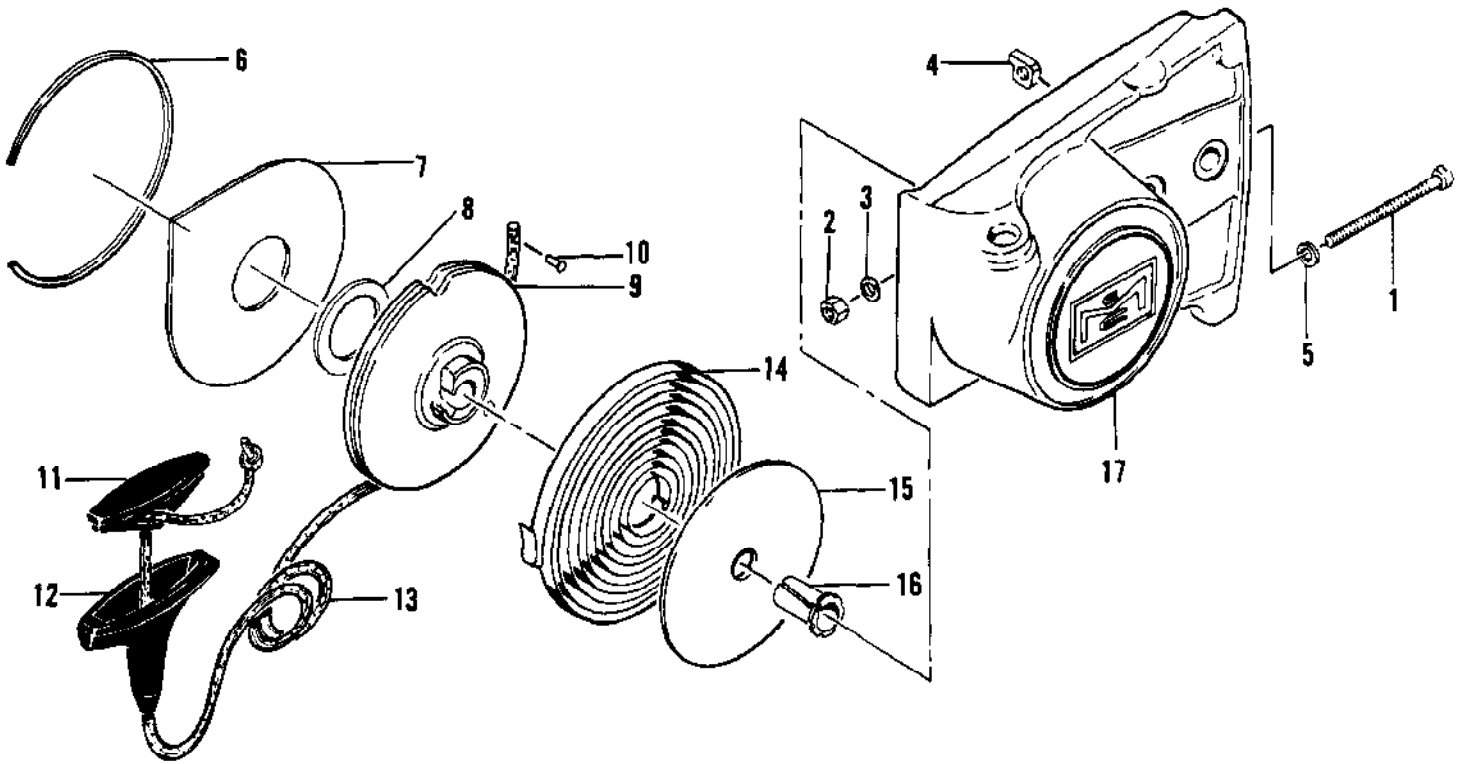


D

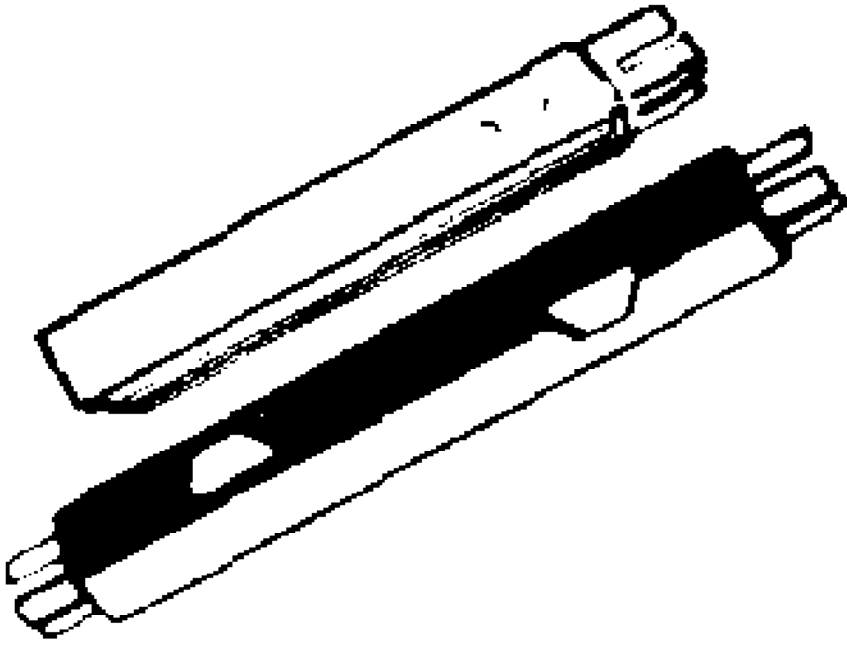
| Ref # | Part Number | Qty | Description |
|-------|-------------|-----|---|
| A | 56927 | | Bar Guard - For wide bars Black Polyvinylchloride |
| B | 64930 | | Bar Guard - Narrow bars Black Polyvinylchloride |
| C | 66544 | | Bar Guard - MAC 10 - 16, 20" Rigid Yellow Plastic |
| D | 83124 | | Bar Guard - PM 6 - 12, 16" Rigid Yellow Plastic |



| Ref # | Part Number | Qty | Description |
|-------|-------------|-----|-----------------------------------|
| | 67379 | 1 | Carburetor Assy (McCulloch SDC 2) |
| 1 | 67501 | 4 | Screw - Pump cover |
| 2 | 83760 | 1 | Cover - Pump |
| 3 | 67495 | 1 | Gasket - Cover |
| 4 | 67498 | 1 | Diaphragm - Check valve |
| 5 | 83114 | 1 | Diaphragm - Fuel pump |
| 6 | 47690 | 3 | Screw - Plate |
| 7 | 67487 | 1 | Plate - Throttle |
| 8 | 67489 | 1 | Clip - Shaft |
| 9 | 67486 | 1 | Shaft Assy - Throttle |
| 10 | 67490 | 1 | Plate - Choke |
| 11 | 67488 | 1 | Shaft Assy - Choke |
| 12 | 100302 | 1 | Ball - Choke friction |
| 13 | 67504 | 1 | Spring - Choke friction |
| 14 | 67506 | 1 | Needle - High speed |
| 15 | 67505 | 1 | Needle - Idle |
| 16 | 67502 | 2 | Spring - Needle |
| 17 | 70798 | 4 | Screw - Diaphragm cover |
| 18 | 83761 | 1 | Cover - Diaphragm |
| 19 | 67499 | 1 | Diaphragm - Metering |
| 20 | 67496 | 1 | Gasket - Diaphragm |
| 21 | 67500 | 1 | Screw - Lever pin |
| 22 | 67508 | 1 | Pin - Lever |
| 23 | 67509 | 1 | Lever - Inlet |
| 24 | 67503 | 1 | Spring - Lever |
| 25 | 67491 | 1 | Valve - Needle |
| 26 | 67483 | 1 | Body Assy - Carburetor |
| 27 | 71690 | 1 | Plug - 3/8 |
| 28 | 69506 | 1 | Plug - 5/16 |
| 29 | 83758 | 1 | Kit - Valve & Seat Assy |
| 30 | 67507 | 1 | Screen - Fuel |
| | 67482 | | Gasket Set |
| | 67481 | | Repair Kit |



| Ref # | Part Number | Qty | Description |
|-------|-------------|-----|-----------------------|
| | 83850 | 1 | Clutch Guard Assy |
| 1 | 102144 | 1 | Screw - Bar adjusting |
| 2 | 102067 | 1 | Nut - Hex 10-24 |
| 3 | 110387 | 1 | Washer - Wave |
| 4 | 61705 | 1 | Nut - Bar adjusting |
| 5 | 110264 | 1 | Washer - #10 |
| 6 | 67205 | 1 | Retainer - Shield |
| 7 | 63985 | 1 | Shield - Dust |
| 8 | 63986 | 1 | Washer - Thrust |
| 9 | 83651 | 1 | Drum - Starter |
| 10 | 110470 | 1 | Rivet - Starter rope |
| 11 | 62191A | 1 | Insert - Handle |
| 12 | 62190A | 1 | Handle - Starter |
| 13 | 69964 | 1 | Rope - Starter |
| 14 | 83334 | 1 | Spring - Rewind |
| 15 | 63987 | 1 | Shield - Spring |
| 16 | 61635A | 1 | Bushing - Nyliner |
| 17 | 83569 | 1 | Guard - Clutch |



56241

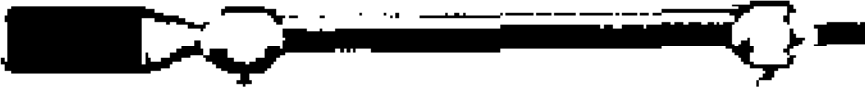
64198

64359

67688

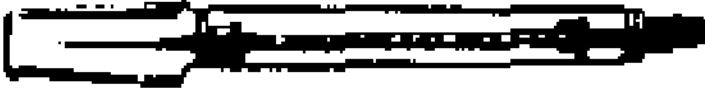
67680

| Ref # | Part Number | Qty | Description |
|-------|-------------|-----|-------------------------------|
| 56241 | 56241 | | Depth Gauge Tool - .025-.040" |
| 56241 | 56241 | | Depth Gauge Tool - .045-.060" |
| 64198 | 64198 | | Depth Gauge Tool - .035-.060" |
| 64359 | 64359 | | Depth Gauge Tool - .045-.050" |
| 67688 | 67688 | | Depth Gauge Tool - .015-.020" |
| 67680 | 67680 | | Depth Gauge Tool - .025-.030" |

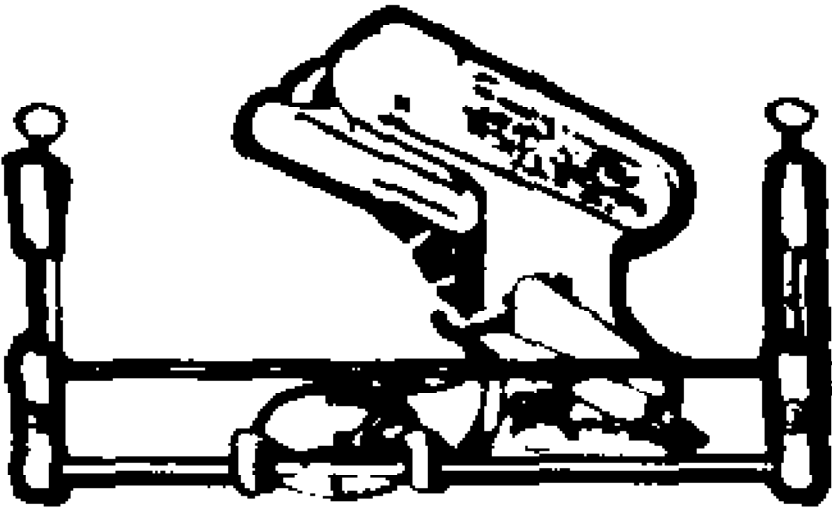


67750

60950

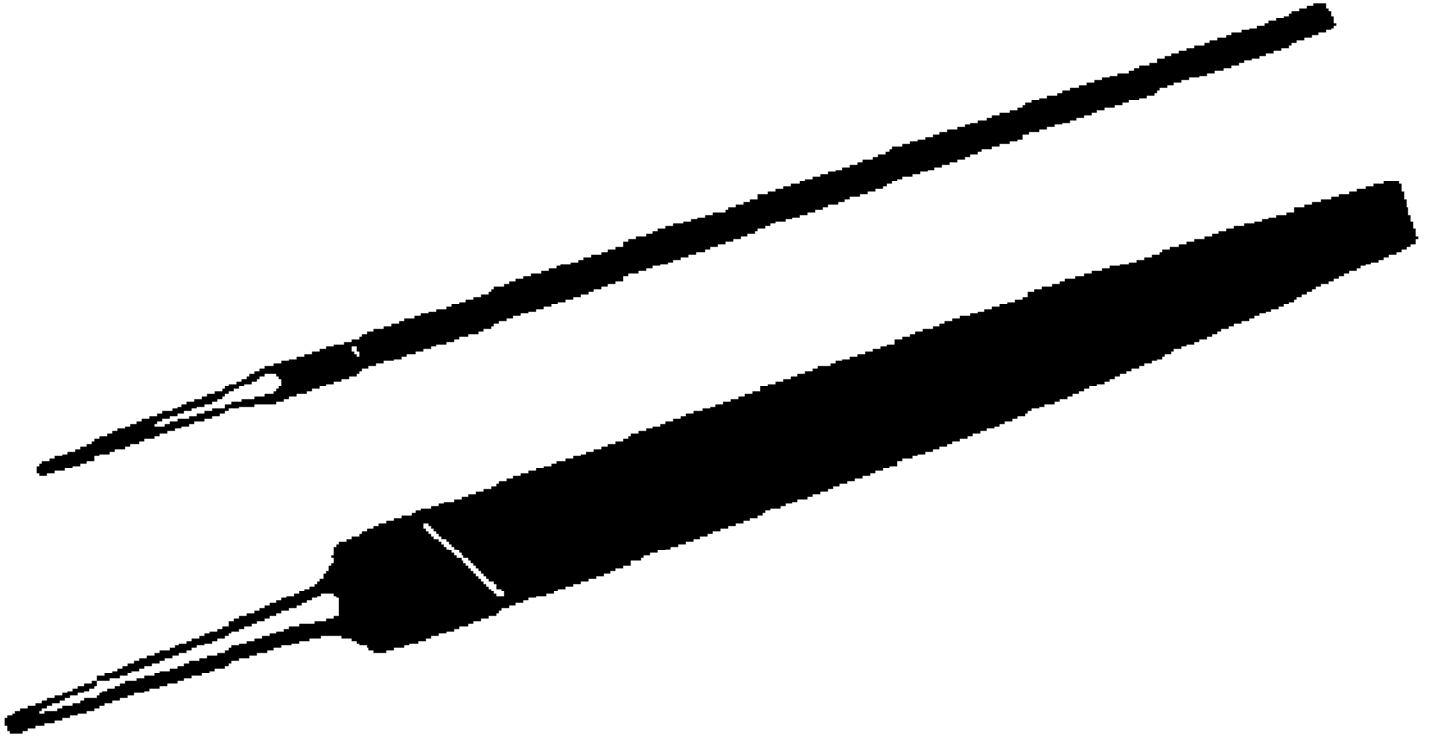


| Ref # | Part Number | Qty | Description |
|-------|-------------|-----|---------------------------------|
| 67750 | 67750 | | File Guide & File - 1/8" round |
| 60950 | 60950 | | File Guide & File - 7/32" round |

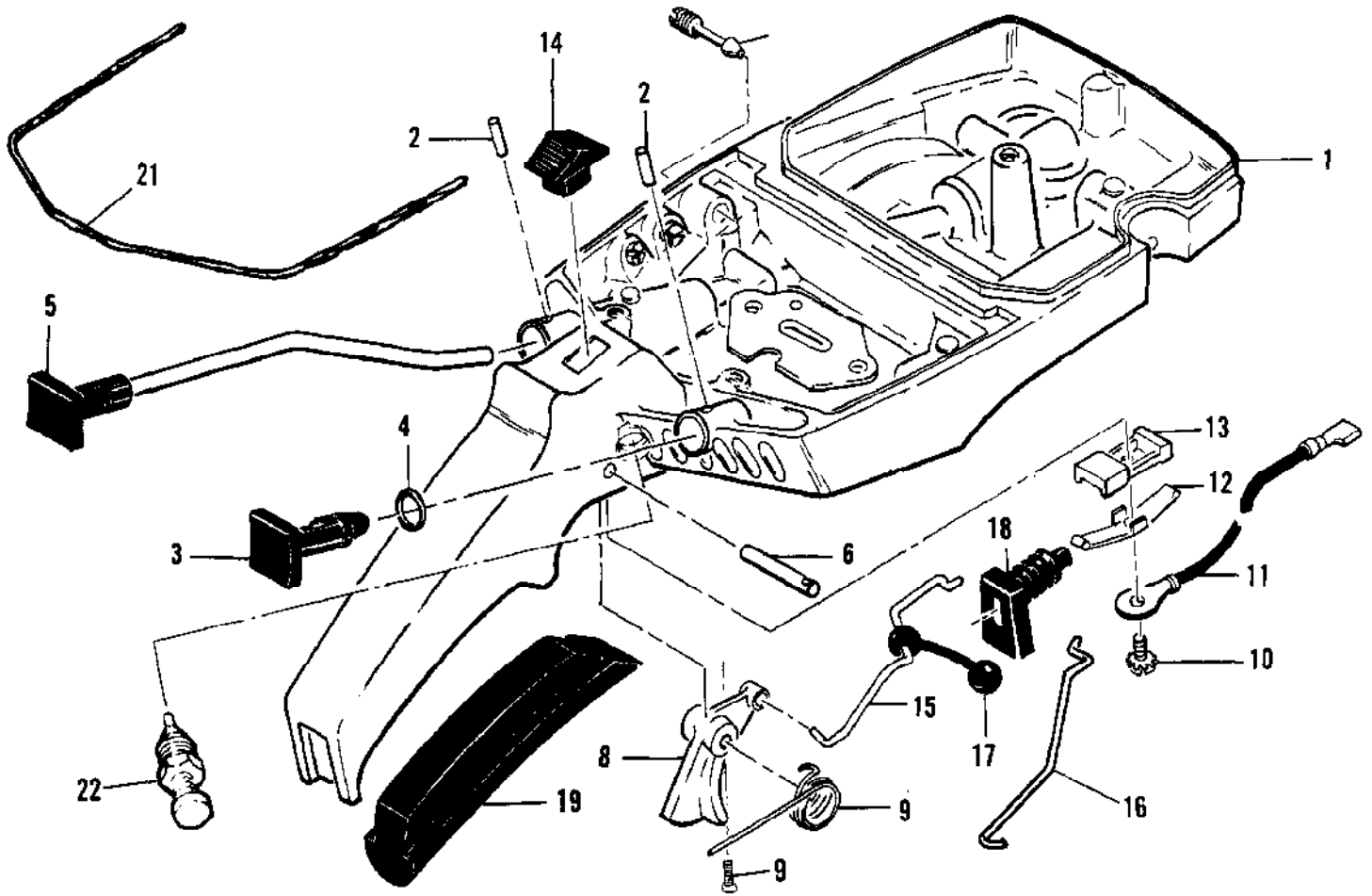


61034

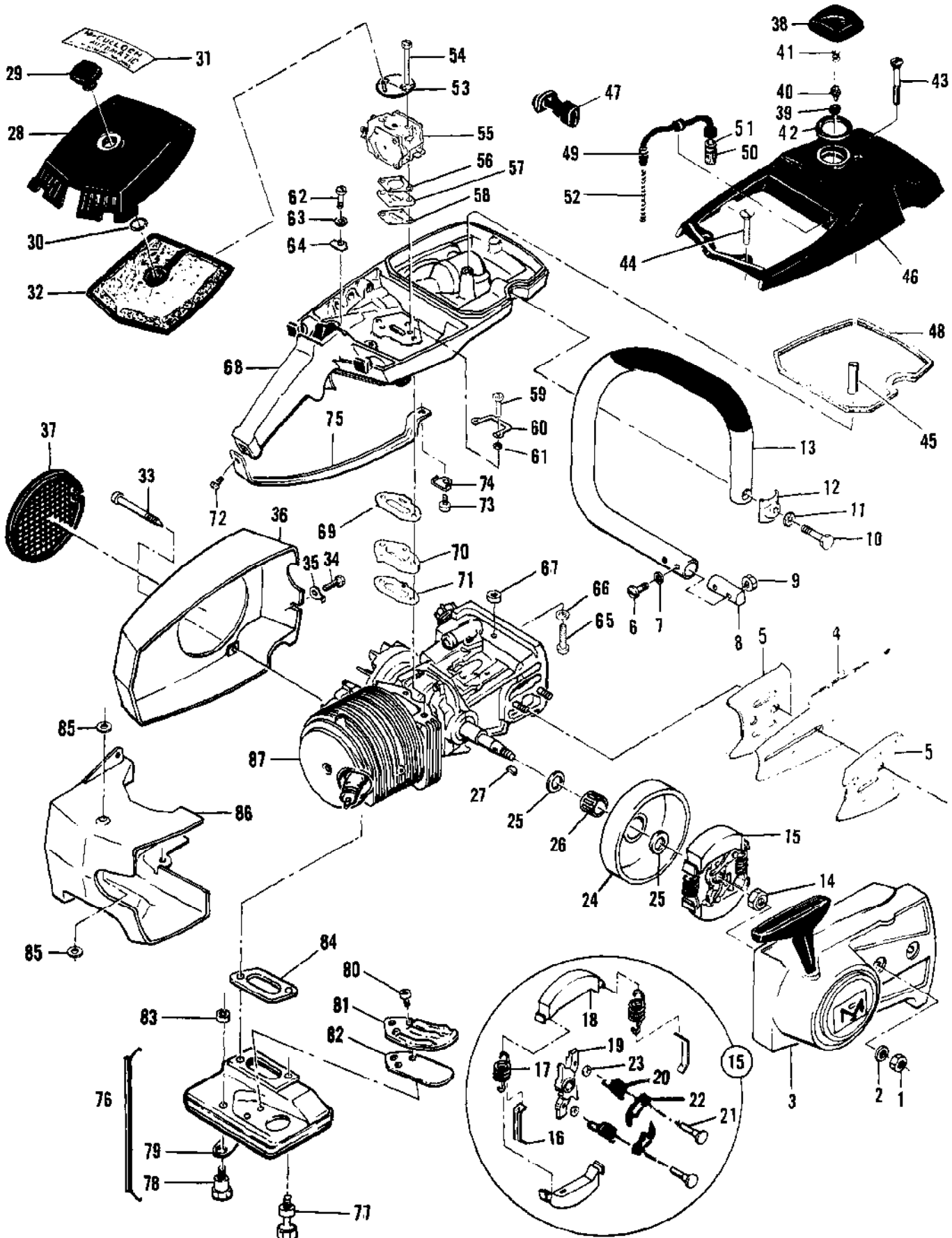
| Ref # | Part Number | Qty | Description |
|-------|-------------|-----|--|
| 61034 | 61034 | | File-N-Joint Assures correct filing angle, height; Used on all models. |



| Ref # | Part Number | Qty | Description |
|-------|-------------|-----|---------------------|
| | | | File 1/8" round |
| | | | File 5/32" round |
| | | | File 3/16" round |
| | | | File 7/32" round |
| | | | File 1/4" round |
| | | | File 9/32" round |
| | | | File 8" flat |
| | | | File 6" flat safety |



| Ref # | Part Number | Qty | Description |
|-------|-------------|-----|----------------------------------|
| 1 | 84183 | 1 | Fuel Tank Assy |
| 2 | 105673 | 2 | Pin - Roll |
| 3 | 69041 | 1 | Button - Choke |
| 4 | 101056 | 1 | "O" Ring |
| 5 | 64871 | 1 | Button & Rod Assy |
| 6 | 110378 | 1 | Pin - Roll |
| 7 | 65734 | 1 | Spring - Throttle return |
| 8 | 67224 | 1 | Trigger |
| 9 | 110668 | 1 | Screw - Fil hd 8-36 x 5/8 |
| 10 | 103672 | 1 | Screw - Fil hd 8-32 x 1/2 (SEMS) |
| 11 | 62973A | 1 | Wire Assy - Stop switch |
| 12 | 62451 | 1 | Contact - Switch |
| 13 | 62950A | 1 | Base - Switch |
| 14 | 62951 | 1 | Button - Switch |
| 15 | 68170 | 1 | Rod - Throttle |
| 16 | 69042 | 1 | Rod - Choke |
| 17 | 69043 | 1 | Snubber - Control rod |
| 18 | 68522 | 1 | Seal - Throttle rod |
| 19 | 64872 | 1 | Grip - Handle |
| 20 | 67271 | 1 | Screw - Idle speed |
| 21 | 69564 | AR | Seal - Airbox |
| 22 | 83051 | 1 | Throttle Lock Assy |



| Ref # | Part Number | Qty | Description |
|-------|-------------|-----|--|
| 1 | 110454 | 2 | Nut - Hex 5/16-24 |
| 2 | 100440 | 2 | Washer - 5/16 |
| 3 | | | Clutch Guard & Starter Assy See "Clutch Guard And Starter Assembly" illustration and parts list. |
| 4 | | | Bar & Chain See "Accessories" illustration and parts list. |
| 5 | 64325 | 2 | Plate - Bar protector |
| 6 | 102761 | 2 | Screw - Hex hd 10-24 x 7/8 |
| 7 | 100352 | 2 | Washer - #10 |
| 8 | 61678 | 1 | Plug - Nut retainer |
| 9 | 101326 | 2 | Nut - Hex 10-24 |
| 10 | 102130 | 1 | Screw - Hex hd 1/4-20 x 1-1/2 |
| 11 | 100153 | 1 | Lockwasher - 1/4 |
| 12 | 63484 | 1 | Clamp - Frame |
| 13 | 69054 | 1 | Frame & Grip Assy |
| 14 | 110594 | 1 | Nut - Hex 3/8-24 |
| 15 | 83655 | 1 | Clutch Assy |
| 16 | 64583 | 2 | Retainer |
| 17 | 83223 | 2 | Spring - Clutch |
| 18 | 67233 | 2 | Shoe - Clutch |
| 19 | 83671 | 1 | Rotor Assy |
| 20 | 83654 | 2 | Spring - Pawl |
| 21 | 83653 | 2 | Rivet |
| 22 | 24093 | 2 | Pawl - Clutch |
| 23 | 65473 | 2 | Washer - Special |
| 24 | 65370 | 1 | Kit - Sprocket & Drum Assy |
| 25 | 61692 | 2 | Shim |
| 26 | 110330 | 1 | Bearing |
| 27 | 103879 | 1 | Key - Woodruff |
| 28 | 68530 | 1 | Cover Assy - Air cleaner |
| 29 | 68529 | 1 | Knob - Cover |
| 30 | 110565 | 1 | Ring - Retaining |
| 31 | 69932 | 1 | Nameplate |
| | 69897 | 1 | Nameplate |
| 32 | 69922 | 1 | Filter - Air |
| 33 | 62978 | 3 | Screw - Special |
| 34 | 102762 | 1 | Screw - Hex hd 10-24 x 1/2 |
| 35 | 69890 | 1 | Lockplate |
| 36 | 83521 | 1 | Kit - Fan Housing |
| 37 | 55615 | | Guard - Flywheel |
| 38 | 68531 | 1 | Cap Assy - Fuel |
| 39 | 68533 | 1 | Plug |
| 40 | 63041 | 1 | Valve |
| 41 | 63040 | 1 | Spring |
| 42 | 69767 | 1 | Gasket |
| 43 | 110402 | 1 | Screw - Oval hd 12-24 x 2-3/8 |
| 44 | 103579 | 2 | Screw - Flat hd 10-24 X 1 |
| 45 | 69686 | 1 | Spacer - Fuel tank cover |
| 46 | 84252 | 1 | Cover - Fuel tank |
| 47 | 84253 | 1 | Boot - Carburetor adjustment |
| 48 | 69345 | 1 | Gasket - Cover |
| 49 | 64848 | 1 | Hose Assy - Fuel |
| 50 | 63932 | 1 | Filter - Fuel |
| 51 | 100440 | 1 | Washer - 5/16 |

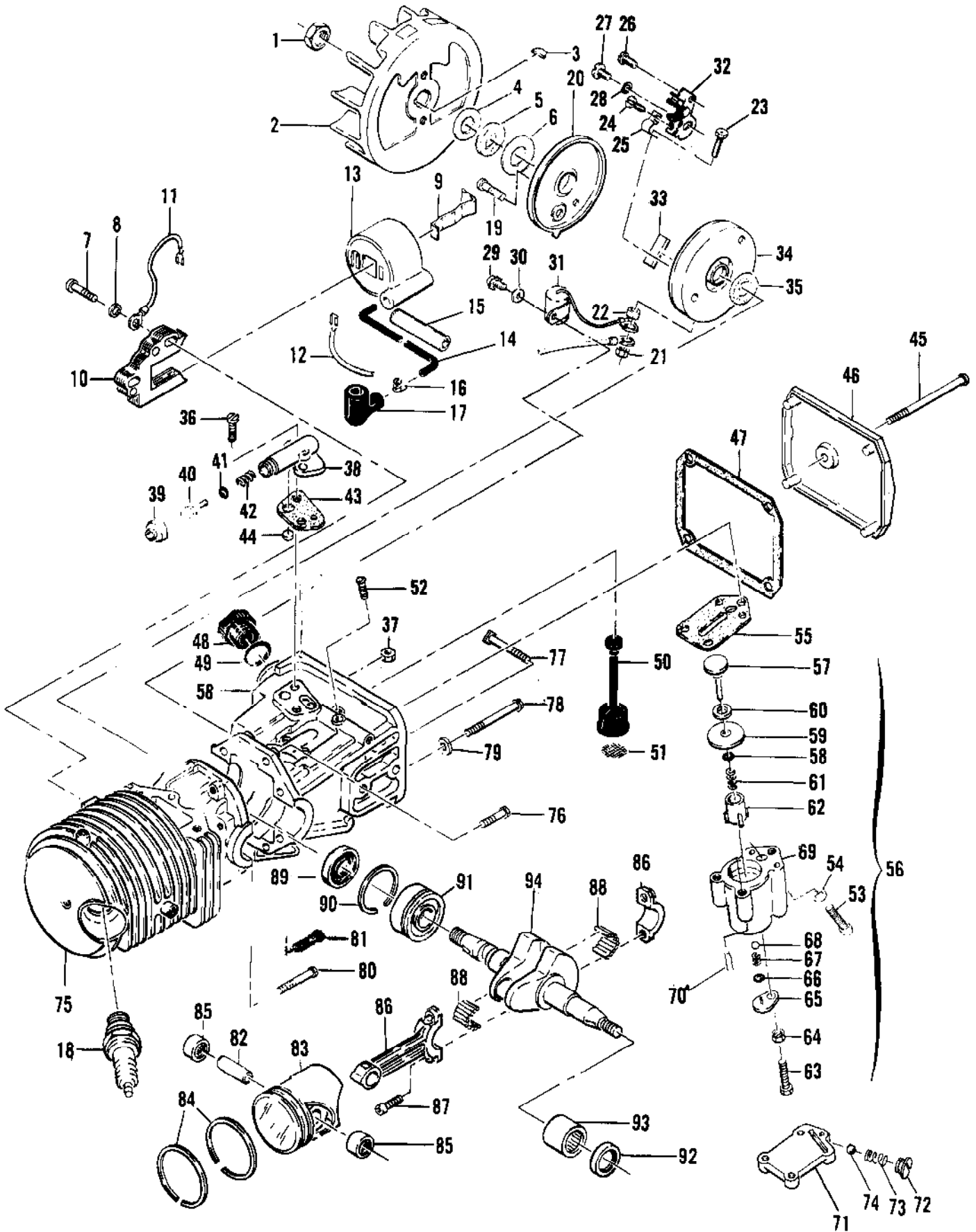
| Ref # | Part Number | Qty | Description |
|-------|-------------|-----|--|
| 52 | 67944 | 1 | Spring - Hose stiffener |
| 53 | 83204 | 1 | Kit - Bracket Assy |
| 54 | 103357 | 2 | Screw - Hex hd 10-24 x 2-1/4 |
| 55 | | | Carburetor Assy See "Carburetor Assembly" illustration and parts list. |
| 56 | 83059 | 1 | Gasket - Carburetor |
| 57 | 84078 | 1 | Spacer - Carburetor |
| 58 | 84081 | 1 | Gasket - Spacer |
| 59 | 110570 | 2 | Screw - Hex hd 12-24 x 1-3 8 |
| 60 | 68582 | 1 | Lockplate |
| 61 | 102115 | 2 | Washer - #12 |
| 62 | 110568 | 1 | Screw - Hex hd 12-24 x 1-1/8 |
| 63 | 64856 | 1 | Washer - Special |
| 64 | 69516 | 1 | Lockplate |
| 65 | 102660 | 1 | Screw - Skt hd 10-24 x 7/8 |
| 66 | 100003 | 1 | Washer - #10 |
| 67 | 69772 | 1 | Spacer - Fuel tank |
| 68 | | | Fuel Tank Assy See "Fuel Tank Assembly" illustration and parts list. |
| 69 | 84082 | 1 | Gasket - Fuel tank |
| 70 | 84079 | 1 | Insulator - Fuel tank |
| 71 | 84082 | 1 | Gasket - Insulator |
| 72 | 106078 | 1 | Screw - Hex hd 10-24 x 7/16 (SEMS) |
| 73 | 110566 | 1 | Screw - Hex hd 12-24 x 5/8 |
| 74 | 68508 | 1 | Lockplate |
| 75 | 69838 | 1 | Brace - Handle |
| 76 | 68863 | 1 | Kit - Muffler |
| 77 | 67838 | 2 | Screw - Muffler long |
| 78 | 67837 | 1 | Screw - Muffler short |
| 79 | 83993 | 1 | Lockplate |
| 80 | 110563 | 2 | Screw - Skt hd 8-32 x 1/4 |
| 81 | 83069 | 1 | Stop - Reed |
| 82 | 64785 | 1 | Reed |
| 83 | 63993 | 1 | Gasket - Muffler screw |
| 84 | 84007 | 1 | Gasket - Muffler |
| 85 | 68581 | 2 | Insulator - Shroud |
| 86 | 67910 | 1 | Shroud |
| 87 | | | Powerhead Assy See "Powerhead Assembly" illustration and parts list. |



69794

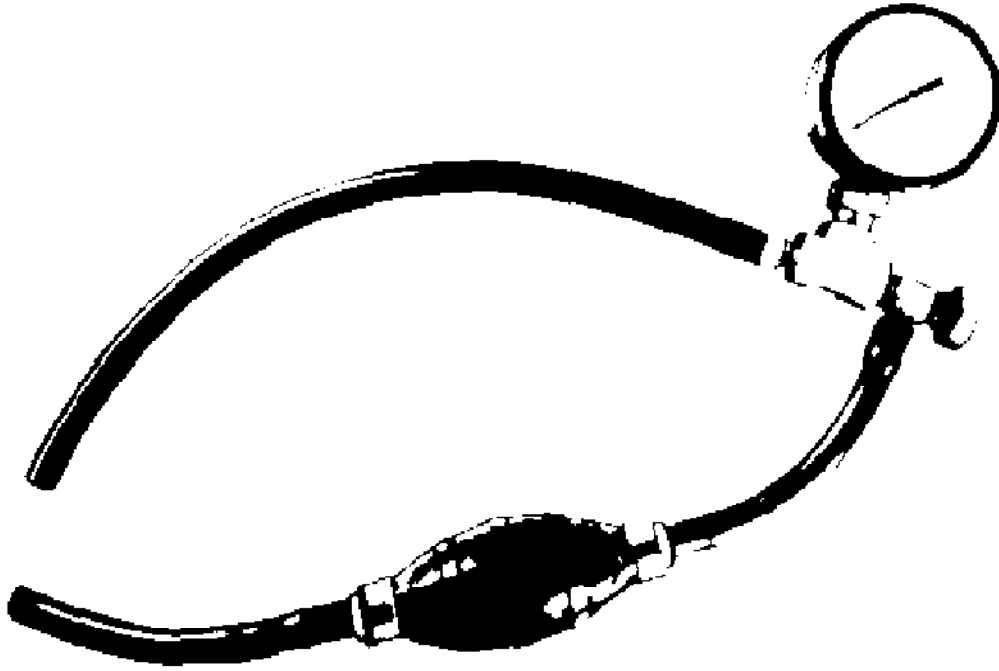
67537

| Ref # | Part Number | Qty | Description |
|-------|-------------|-----|-------------------------------|
| 67537 | 67537 | | Loctite - 10cc plastic bottle |
| 69794 | 69794 | | Locquic - 7-1/2 oz. spray can |



| Ref # | Part Number | Qty | Description |
|-------|-------------|-----|-----------------------------------|
| 1 | 110594 | 1 | Nut - Hex 3/8-24 |
| 2 | 84681 | 1 | Flywheel Assy |
| 3 | 103879 | 1 | Key - Woodruff |
| 4 | 67057 | 1 | Washer - Thrust |
| 5 | 67056 | 1 | Seal |
| 6 | 67054 | 1 | Washer - Thrust |
| 7 | 110127 | 2 | Screw - Hex hd 10-24 x 7/8 (SEMS) |
| 8 | 100003 | 2 | Washer - #10 |
| 9 | 51253 | 1 | Retainer - Coil |
| 10 | 68164 | 1 | Lamination Assy |
| 11 | 62819 | 1 | Wire Assy - Ground |
| 12 | 69344 | 1 | Wire Assy - Primary |
| 13 | 69798 | 1 | Coil & Terminal Assy |
| 14 | 69966 | 1 | Wire & Sleeve Assy - Spark plug |
| 15 | 67127 | 1 | Sleeve - Spark plug wire |
| 16 | 62932 | 1 | Connector |
| 17 | 62926 | 1 | Boot |
| 18 | 63097 | 1 | Spark Plug - AC CS45T |
| 19 | 110349 | 1 | Screw - Rd hd 8-32 x 3/4 |
| 20 | 62362 | 1 | Cover - Breaker box |
| 21 | 100298 | 1 | Nut - Hex 6-32 |
| 22 | 62365 | 1 | Spacer - Breaker screw |
| 23 | 110346 | 1 | Screw - Hex hd 6-32 x 3/4 |
| 24 | 110489 | 1 | Screw - Pan hd 6-32 x 7/16 |
| 25 | 83126 | 1 | Strap - Conduction |
| 26 | 100934 | 1 | Screw - Rd hd 8-32 x 3/8 |
| 27 | 110445 | 1 | Screw - Tr hd 8-32 x 3/8 |
| 28 | 105976 | 1 | Washer - #8 |
| 29 | 103672 | 1 | Screw - Fil hd 8-32 x 1/2 |
| 30 | 100080 | 1 | Washer - #8 |
| 31 | 61650 | 1 | Condenser |
| 32 | 66231 | 1 | Breaker Assy |
| 33 | 54184 | 1 | Wiper |
| 34 | 83125 | 1 | Box - Breaker |
| 35 | 67051 | 1 | Seal |
| 36 | 110623 | 2 | Screw - Fil hd 8-32 x 1/2 |
| 37 | 100955 | 1 | Nut - Hex 8-32 |
| 38 | 62261A | 1 | Housing - Pump |
| 39 | 62262 | 1 | Cap - Housing |
| 40 | 62266 | 1 | Plunger - Pump |
| 41 | 101056 | 1 | "O" Ring |
| 42 | 66687 | 1 | Spring |
| 43 | 62230 | 1 | Gasket |
| 44 | 62909 | 1 | Valve |
| 45 | 110291 | 1 | Screw - Pan hd 10-24 x 2-5/8 |
| 46 | 63072 | 1 | Cover - Oil tank |
| 47 | 62116 | 1 | Gasket - Cover |
| 48 | 68809 | 1 | Cap - Oil tank |
| 49 | 101148 | 1 | "O" Ring |
| 50 | 62123B | 1 | Hose Assy - Oil |
| 51 | 51506 | 1 | Screen - Hose |
| 52 | 110333 | 3 | Screw - Oval hd 8-32 x 1/2 |
| 53 | 102660 | 1 | Screw - Skt hd 10-24 x 7/8 |
| 54 | 24236 | 1 | Washer - Special |
| 55 | 62274 | 1 | Gasket - Pulse pump |

| Ref # | Part Number | Qty | Description |
|-------|-------------|-----|-----------------------------|
| | 83790 | 1 | Gasket - Pulse pump |
| 56 | 83786 | 1 | Pump Assy - Pulse |
| 57 | 60260A | 1 | Piston Assy - Pump |
| 58 | 104001 | 1 | "O" Ring |
| 59 | 60263 | 1 | Ring - Pump piston |
| 60 | 60937 | 1 | Washer - Teflon |
| 61 | 60259 | 1 | Spring - Piston |
| 62 | 62227 | 1 | Sleeve - Adjustment |
| 63 | 110386 | 1 | Screw - Hex hd 8-32 x 1 |
| 64 | 100251 | 1 | Nut - Hex 8-32 |
| 65 | 62407 | 1 | Cover - Outlet valve |
| 66 | 106104 | 1 | "O" Ring |
| 67 | 62885A | 1 | Spring - Outlet valve |
| 68 | 102809 | 1 | Ball |
| 69 | 83787 | 1 | Body Assy - Pump |
| 70 | 110643 | 1 | Screw - Set 8-32 x 7/16 |
| 71 | 68711 | 1 | Body Assy - Check valve |
| 72 | 68714 | 1 | Screw - Special |
| 73 | 63034 | 1 | Spring - Check valve |
| 74 | 100071 | 1 | Ball - 5/32 dia. |
| 75 | 69993 | 1 | Crankcase Assy |
| | 84113 | 1 | Crankcase Assy |
| 76 | 110288 | 2 | Screw - Hex hd 8-32 X 3/4 |
| 77 | 62065 | 2 | Bolt - Bar mounting |
| 78 | 62105 | 4 | Screw Assy - Sealing |
| 79 | 62842 | 4 | Washer - Sealing |
| 80 | 110618 | 1 | Screw - Hex hd 8-32 X 1-3/8 |
| 81 | 110288 | 1 | Screw - Hex hd 8-32 X 3/4 |
| 82 | 61649 | 1 | Pin - Piston |
| 83 | 69212 | 1 | Piston Assy |
| 84 | 62814 | 1 | Ring Set - Piston |
| 85 | 103085 | 2 | Bearing - Needle |
| 86 | 65401 | 1 | Connecting Rod Assy |
| 87 | 61627A | 2 | Screw - Special |
| 88 | 63225 | 1 | Roller - Needle (set of 20) |
| 89 | 67906 | 1 | Oil Seal |
| 90 | 63464 | 1 | Ring - Snap |
| 91 | 67905 | 1 | Bearing - Ball |
| 92 | 110260 | 1 | Oil Seal |
| 93 | 104357 | 1 | Bearing - Needle |
| 94 | 63336 | 1 | Crankshaft |



62849

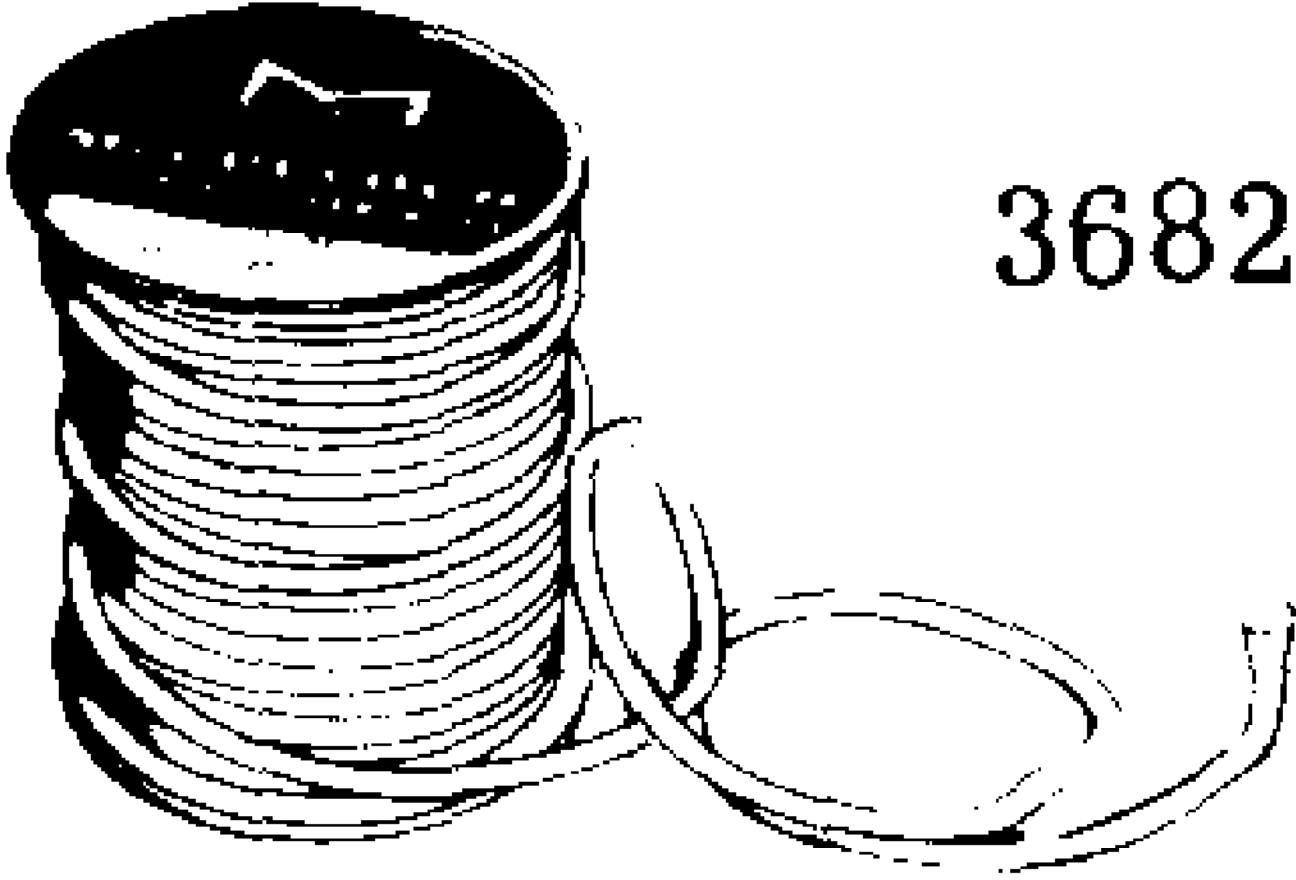
| Ref # | Part Number | Qty | Description |
|-------|-------------|-----|--|
| 62849 | 62849 | | Pressure Test Tools For leakage check of crankcase, fuel system. |

103503
103400



102449
102464

| Ref # | Part Number | Qty | Description |
|--------|-------------|-----|----------------------------------|
| 103503 | 103503 | | 12oz. can - Black |
| 103400 | 103400 | | Case of 12 (12oz. cans) - Black |
| 102449 | 102449 | | 12oz. can - Yellow |
| 102464 | 102464 | | Case of 12 (12oz. cans) - Yellow |



36825

| Ref # | Part Number | Qty | Description |
|-------|-------------|-----|--|
| 36825 | 36825 | | Starter Rope 100' spool Solid, braided nylon |