

No
Diagram
Available

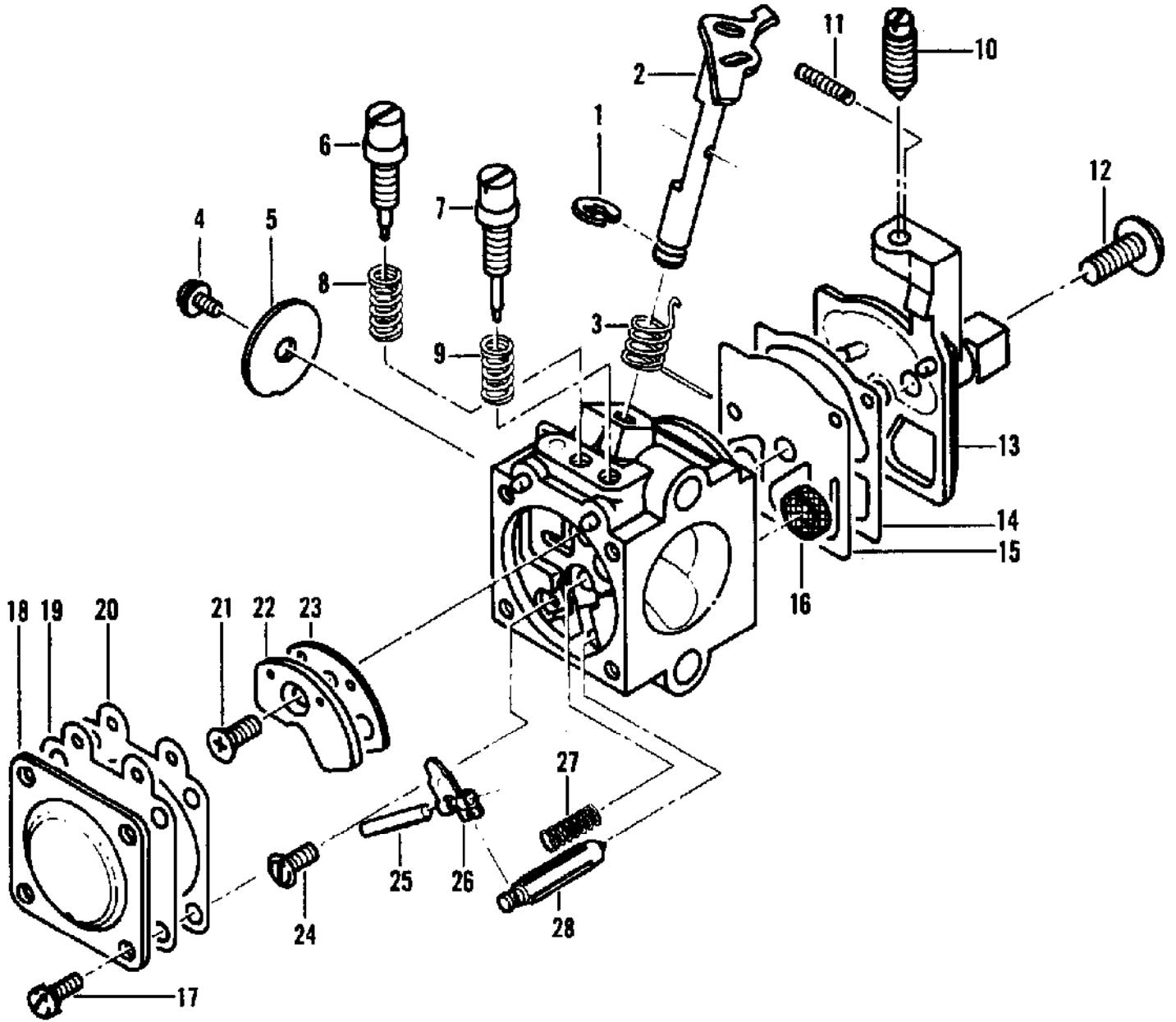
Parts List
Only

| Ref # | Part Number | Qty | Description |
|-------|-------------|-----|--|
| | 214207 | | Spike |
| | 94972 | | Scrench |
| | 93797 | | Wrench - Screwdriver |
| | 214194 | | Lubri - Gun |
| | 91226 | | Holder - Flywheel |
| | 93095 | | Bracket - AUTO - SHARP |
| | 95168 | | Grinder Assembly - AUTO - SHARP |
| | 94365 | | Kit - Carrying Case, 14" |
| | 92977 | | Scabbard - 14" |
| | 94364 | | Kit - Carrying Case, 16" |
| | 214202 | | Scabbard - 16" |
| | 85702 | | Lubricant - Custom, 6 oz. can |
| | 85703 | | Lubricant - Custom, 6 oz. cans, 6-pack |
| | 214212 | | Kit - Tool |
| | 95169 | | Kit - Spark Arrester Screen |
| | 94416 | | Adaptor - Intake (Cyl.) |
| | 94415 | | Adaptor - Intake (Air Box) |
| | 68917 | | Adaptor - Exhaust |
| | 85229 | | Kit - Pressure Test |
| | 215432 | | Tool - Pressure Test |
| | 501334 | | Tester - Ignition |
| | 67537 | | Loctite |
| | 69794 | | Locquic |
| | 63094 | | Driver - Wrist Pin |
| | 110083 | | R.T.V. Sealant |
| | 110706 | | Tool - Handle/Throttle Trigger Screw |

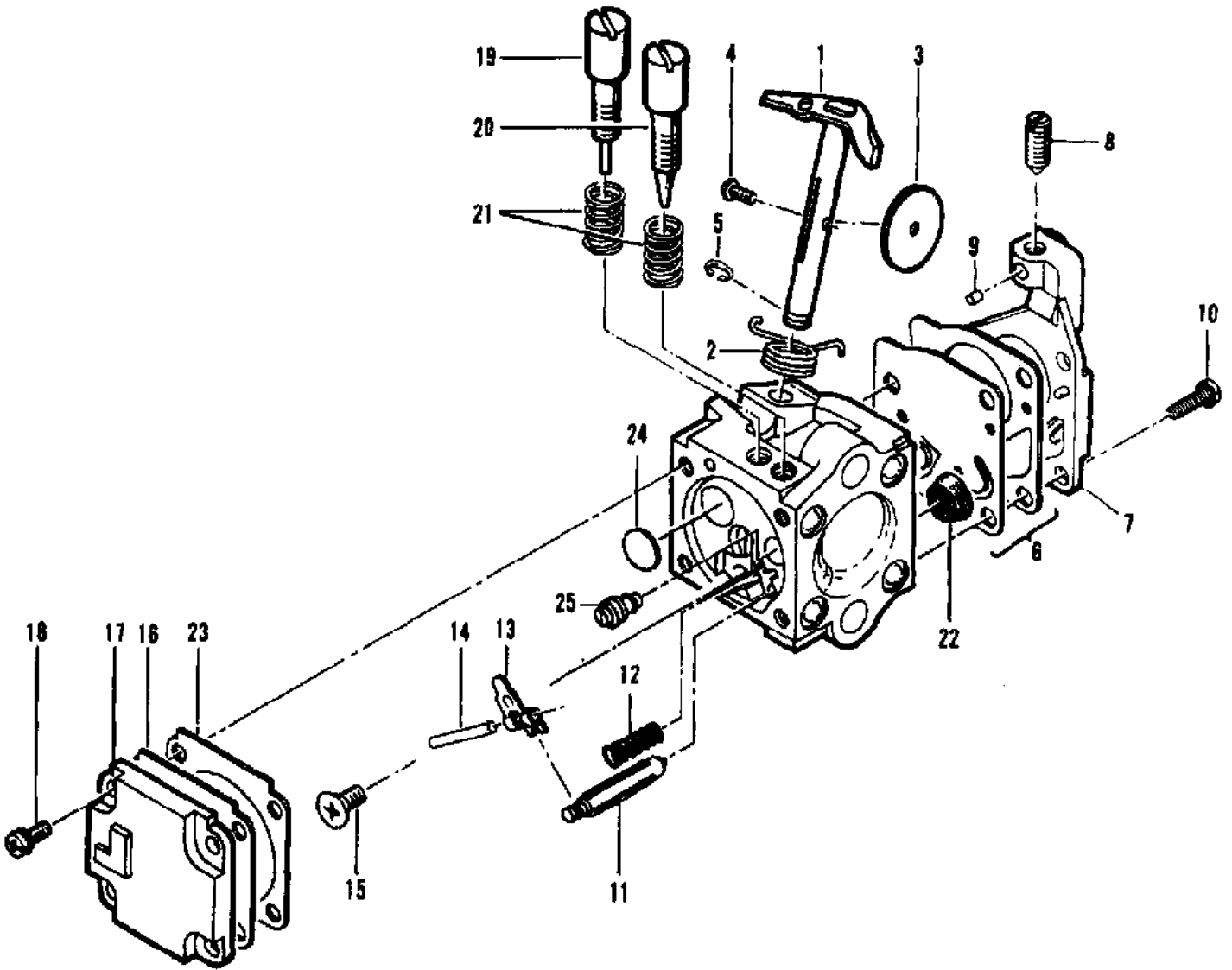
No
Diagram
Available

Parts List
Only

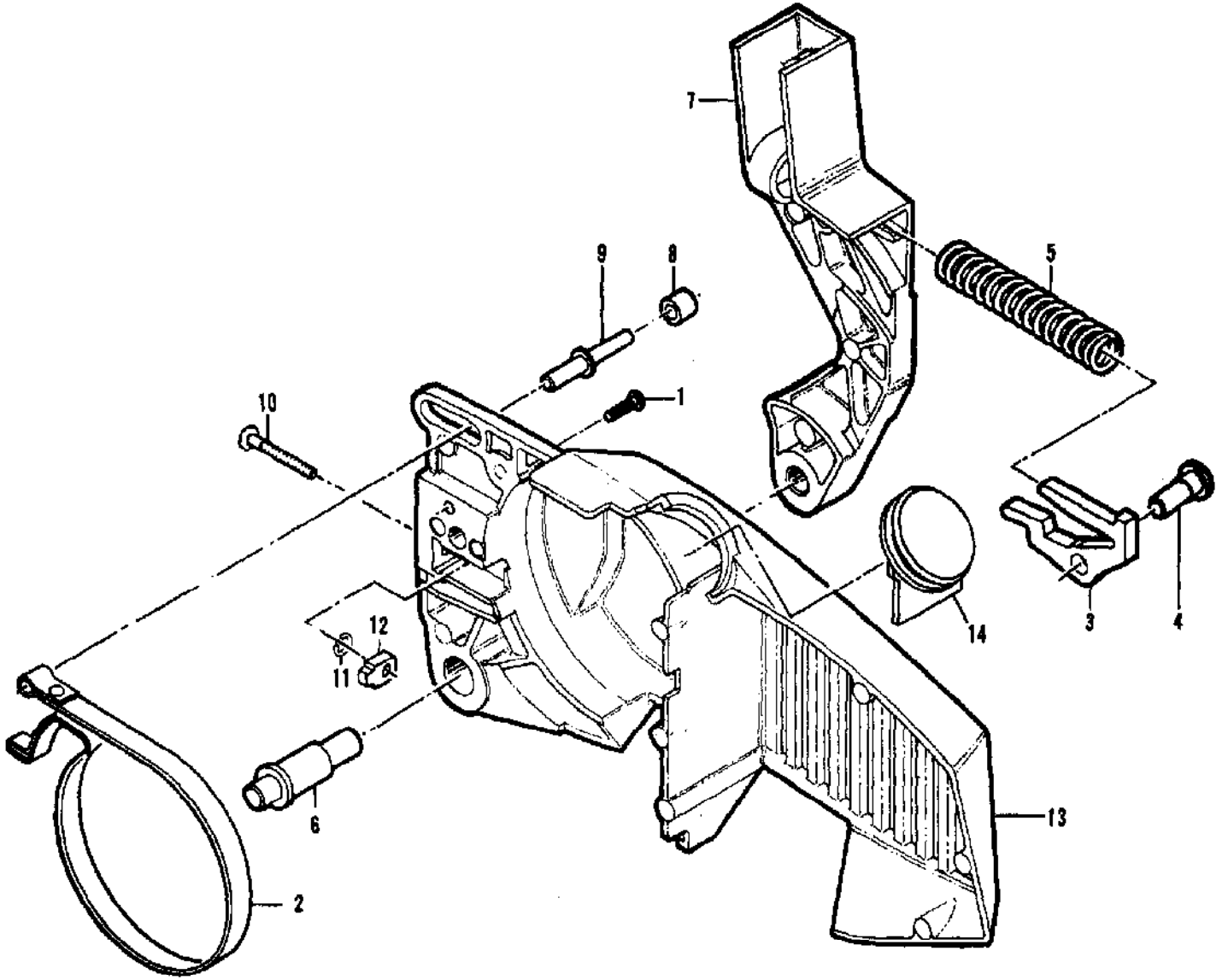
| Ref # | Part Number | Qty | Description |
|-------|-------------|-----|--------------------|
| | 214919N | | Chain - MP 370GL |
| | 214235 | | Bar - 14" Mini Pro |
| | 214656N | | Chain - AS 370G |
| | 214230N | | Chain - 370G |
| | 214136 | | Bar - 16" Mini Pro |
| | 214925N | | Chain - MP 370GL |



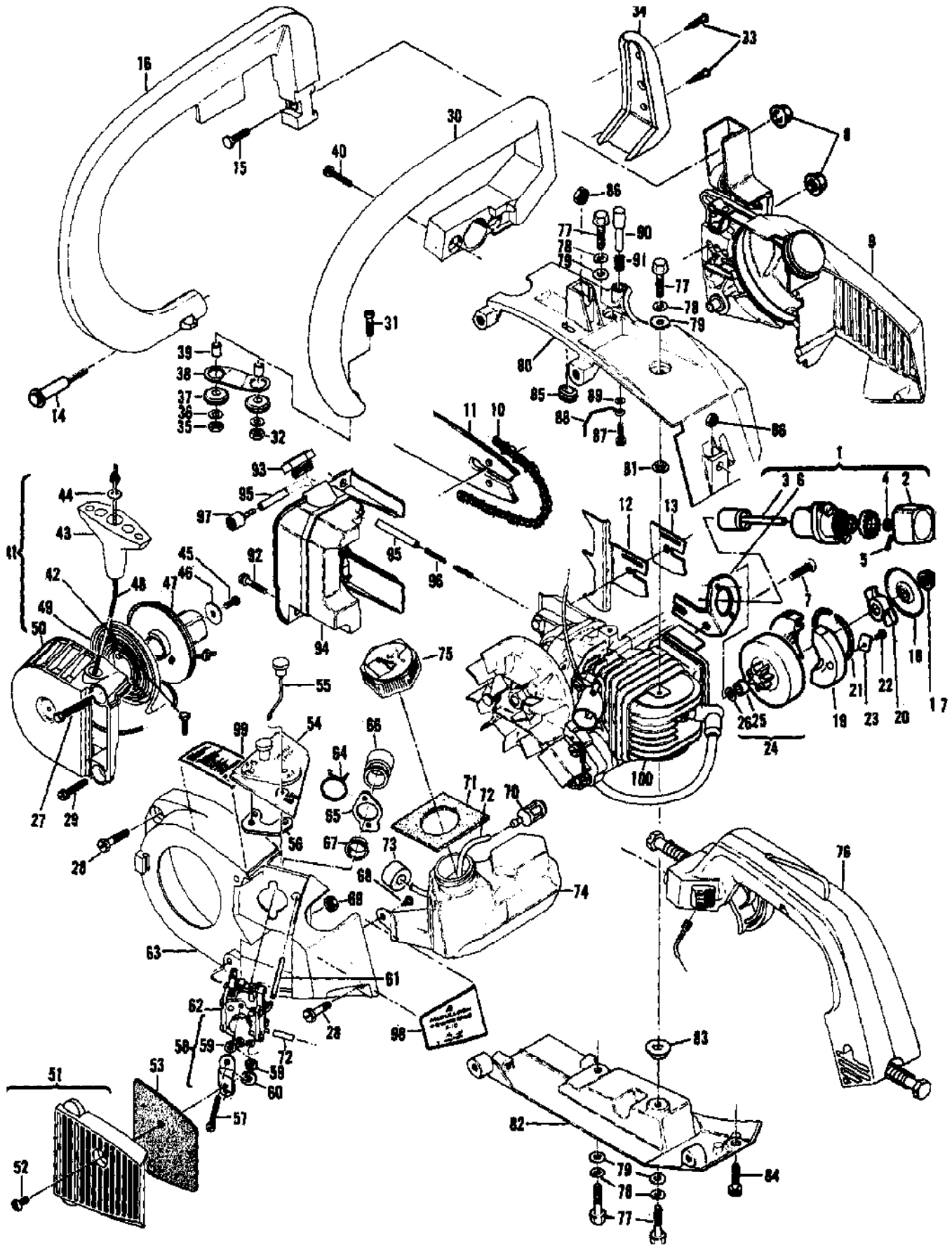
| Ref # | Part Number | Qty | Description |
|-------|-------------|-----|---------------------------------|
| | 94496A | 1 | Carburetor Asy - Walbro (WA-52) |
| 1 | 94749 | 1 | Ring - Shaft retainer |
| 2 | 94752 | 1 | Shaft Asy - Throttle |
| 3 | 94765 | 1 | Spring - Throttle return |
| 4 | 83755 | 1 | Screw - Valve |
| 5 | 94753 | 1 | Valve - Throttle |
| 6 | 94766 | 1 | Needle - Idle adjust |
| 7 | 94767 | 1 | Needle - Hi speed |
| 8 | 94763 | 1 | Spring - Idle needle |
| 9 | 67502 | 1 | Spring - Hi speed needle |
| 10 | 94762 | 1 | Screw - Idle adjust |
| 11 | 67504 | 1 | Spring - Friction |
| 12 | 94760 | 1 | Screw - Pump cover |
| 13 | 94751 | 1 | Cover - Pump |
| 14 | 94754 | 1 | Gasket - Pump |
| 15 | 94758 | 1 | Diaphragm - Pump |
| 16 | 94769 | 1 | Screen - Inlet |
| 17 | 80529 | 4 | Screw - Diaphragm cover |
| 18 | 94750 | 1 | Cover - Metering diaphragm |
| 19 | 94759 | 1 | Diaphragm Asy - Metering |
| 20 | 94755 | 1 | Gasket - Metering diaphragm |
| 21 | 94761 | 1 | Screw - Circuit plate |
| 22 | 94771 | 1 | Plate - circuit |
| 23 | 94756 | 1 | Gasket - circuit |
| 24 | 67500 | 1 | Screw - Metering lever |
| 25 | 94770 | 1 | Pin - Metering lever |
| 26 | 94772 | 1 | Lever - Metering |
| 27 | 94764 | 1 | Spring - Metering lever |
| 28 | 67491 | 1 | Valve - Inlet needle |
| | 94775 | | Kit - Gasket/Diaphragm |
| | 94774 | | Kit - Repair |



| Ref # | Part Number | Qty | Description |
|-------|-------------|-----|---|
| | 94496 | 1 | Carburetor Assembly (Zama) |
| 1 | | 1 | Shaft Asy - Throttle Not available separately. |
| 2 | | 1 | Spring - Throttle Return Not available separately. |
| 3 | | 1 | Plate - Throttle Not available separately. |
| 4 | | 1 | Screw - Plate (M3) Not available separately. |
| 5 | | 1 | "E" Ring Not available separately. |
| 6 | | 1 | Kit - diaphragm & Gaskets Not available separately. |
| 7 | | 1 | Cover Asy - Pump Not available separately. |
| 8 | | 1 | Screw - Idle Speed Not available separately. |
| 9 | | 1 | Insert - Friction Not available separately. |
| 10 | | 4 | Screw - Pump Cover (M4) Not available separately. |
| 11 | | 1 | Needle - Inlet Not available separately. |
| 12 | | 1 | Spring - Lever Not available separately. |
| 13 | | 1 | Lever - Inlet Needle Not available separately. |
| 14 | | 1 | Pin - Lever Not available separately. |
| 15 | | 1 | Screw - Lever Pin (M3) Not available separately. |
| 16 | | 1 | Diaphragm Asy - Metering Not available separately. |
| 17 | | 1 | Cover - Diaphragm Not available separately. |
| 18 | | 4 | Screw - Diaphragm Cover(M3) Not available separately. |
| 19 | | 1 | Screw - Idle Adjust Not available separately. |
| 20 | | 1 | Screw - Main Adjust Not available separately. |
| 21 | | 2 | Spring - Needle Not available separately. |
| 22 | | 1 | Screen - Filter Not available separately. |
| 23 | | 1 | Gasket - Metering Diaphragm Not available separately. |
| 24 | | 1 | Welch Plug Not available separately. |
| 25 | | 1 | Orifice - Main Fuel Not available separately. |
| | 217081 | | Repair Kit |
| | 217089 | | Gasket/Diaphragm Kit |
| | 216804 | | Needle Kit |



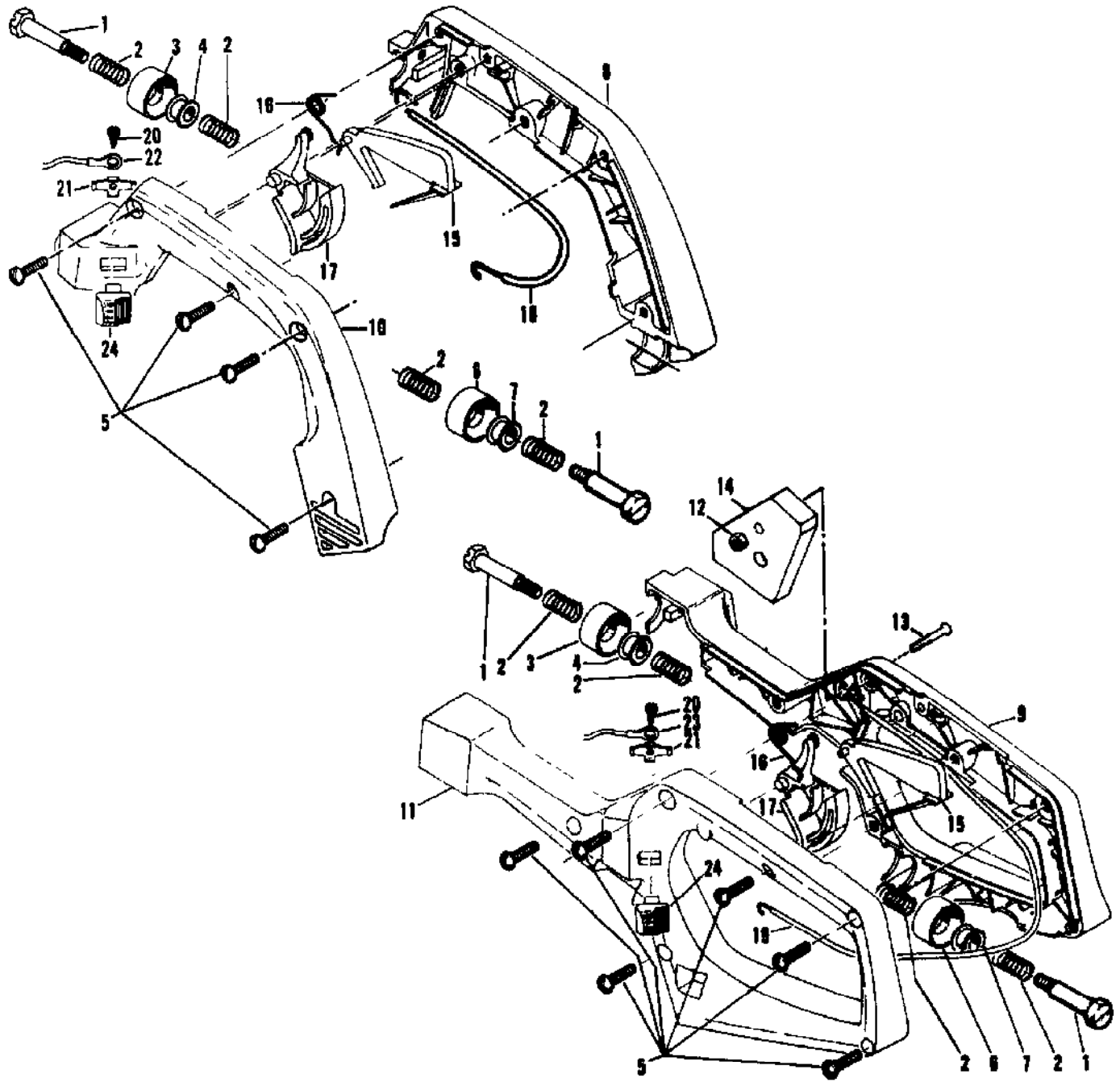
| Ref # | Part Number | Qty | Description |
|-------|-------------|-----|--|
| | 214373 | 1 | CHAIN BRAKE Assembly |
| 1 | 111047 | 1 | Screw - Fil hd 8-32 x 5/8 |
| 2 | 94709 | 1 | Band - Brake |
| 3 | 215758 | 1 | Kit - Latch |
| 4 | | 1 | Spring - Compression Not available separately. |
| 5 | 93602 | 1 | Pivot - Latch |
| 6 | 92482 | 1 | Pivot - Lever |
| 7 | 93159 | 1 | Lever - Actuating |
| 8 | 214368 | 1 | Bearing - Roller |
| 9 | 213907 | 1 | Pin - Roller |
| 10 | 90658 | 1 | Screw - Adjusting |
| 11 | 110907 | 1 | Ring - Retaining |
| 12 | 84929 | 1 | Nut - Bar Adjusting |
| 13 | 215589 | 1 | Housing - Brake |
| 13 | 94181 | 1 | Housing - Brake |
| 14 | 935284 | 1 | Cover - AUTO-SHARP |



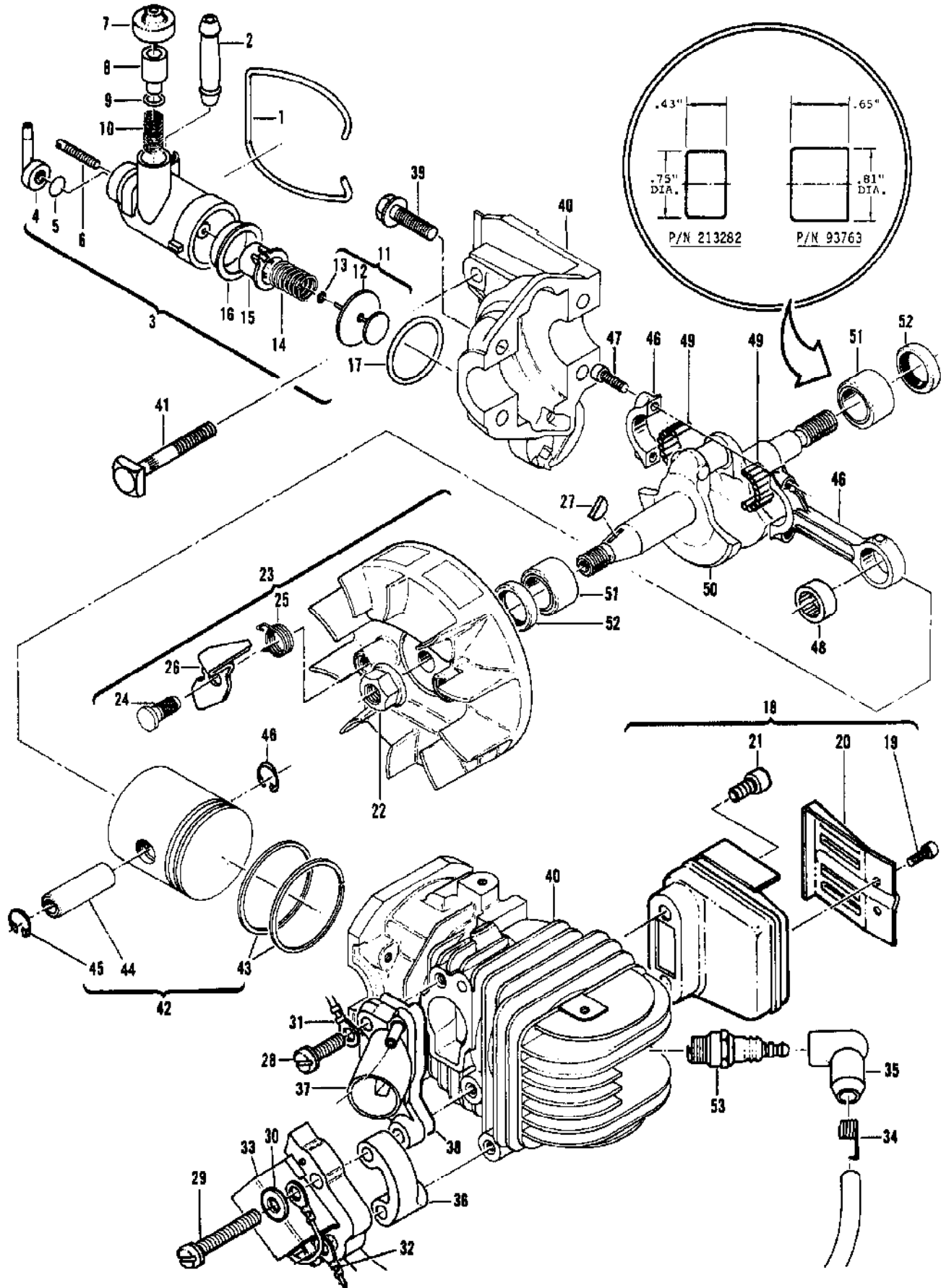
| Ref # | Part Number | Qty | Description |
|-------|-------------|-----|---|
| 1 | 215662 | 1 | Kit - Grinder Asy - AUTO-SHARP |
| 2 | 215447 | 1 | Knob |
| 3 | 216707 | 1 | Wheel Asy - grinding |
| 4 | 216134 | 1 | Washer |
| 5 | 216133 | 1 | Pin - Cotter |
| 6 | 215208 | 1 | Bracket - AUTO-SHARP |
| 7 | 120025 | 2 | Screw - Pan hd M5 x 10 |
| 8 | 120029 | 2 | Nut - Hx Flg M6 x 1.0 |
| 9 | | 1 | CHAIN BRAKE Assembly Not available separately. See "Chain Brake Assembly" illustration and parts list. |
| 10 | | 1 | Chain Not available separately.See "Bar & Chain Combinations" parts list. |
| 11 | | 1 | Bar Not available separately.See "Bar & Chain Combinations" parts list. |
| 12 | 214207 | 1 | Spike |
| 13 | 93148 | 1 | Spacer - Bar Pad |
| 14 | 215695 | 1 | Screw - Hx hd M5 x 50 ST (SEMS) |
| 15 | 120028 | 1 | Screw - Hx hd M6 x 20 |
| 16 | 93021A | 1 | Lever - Wraparound |
| 17 | 94244 | 1 | Nut - Clutch |
| 18 | 94243 | 1 | Plate - Dust |
| 19 | 213278 | 1 | Kit - Clutch |
| 20 | 94242 | 1 | Rotor |
| 21 | 93608 | 1 | Spring Assembly - Clutch |
| 22 | 110957 | 2 | Rivet - Fl 1/8 x .547 |
| 23 | 85064 | 2 | Plate - Clutch Shoe |
| 24 | 215252 | 1 | Drum/Sprocket/Bearing Asy |
| 25 | 91222 | 1 | Bearing |
| 26 | 215259 | 1 | Washer - Sprocket |
| 27 | 120096 | 1 | Screw - WH M5 x 55 ST |
| 28 | 120095 | 2 | Screw - WH M5 x 20 ST |
| 29 | 120098 | 1 | Screw - WH M5 x 18 |
| 30 | 216816 | 1 | Kit - Frame |
| 31 | 216064 | 1 | Screw - M5 T-Head |
| 32 | 216585 | 1 | Nut - Hx M5 Lock |
| 30 | 216504 | 1 | Frame Assembly |
| 31 | 216064 | 1 | Screw - M5 T-Head |
| 32 | 93057 | 1 | Nut - Hx M5 Lock |
| 33 | 111011 | 2 | Screw - Pn hd 10-16 x 7/8 |
| 34 | 95141 | 1 | Weight - Frame |
| 35 | 216585 | 1 | Nut - Hx M5 Lock |
| 36 | 120045 | 2 | Washer - M5 |
| 37 | 110989 | 2 | Grommet |
| 38 | 93152 | 1 | Link |
| 39 | 93057 | 2 | Spacer - Mount |
| 40 | 120036 | 2 | Screw - Pn M4 x 25 (SEMS) |
| 41 | 216491 | 1 | Kit - Starter Assembly |
| 42 | 216064 | 1 | Screw - M5 T-Head |
| 43 | 91255 | 1 | Kit - Starter Handle |
| 44 | 105490 | 1 | Washer - Starter Handle |
| 45 | 110041 | 1 | Screw - Pn hd 8-32 x .5 |
| 46 | 68497 | 1 | Washer |
| 47 | 213261 | 1 | Drum/Rope Assembly |
| 48 | 83203 | 1 | Rope - Starter |

| Ref # | Part Number | Qty | Description |
|-------|-------------|-----|---|
| 49 | 83078 | 1 | Spring - Starter Rewind |
| 50 | 216494 | 1 | Housing Assembly - Starter |
| 51 | 93527 | 1 | Cover Assembly - Air Filter |
| 52 | 93626 | 1 | Screw - Pan hd M5 x .80 |
| 53 | 94970 | 1 | Filter - Air |
| 54 | 94608 | 1 | Cover Assembly - Air Box |
| 55 | 214316 | 1 | Rod Assembly - Choke |
| 56 | 94721 | 1 | Seal - Air |
| 57 | 120049 | 2 | Screw - Pan hd M5 x 40 |
| 58 | 94905 | 1 | Kit - Choke Plate & Bracket |
| 59 | | 2 | Washer - Flat Not available separately. |
| 60 | | 1 | Washer - Wavy Not available separately. |
| 61 | 93151 | 1 | Hose - Pulse |
| 62 | | 1 | Carburetor See "Carburetor Assembly (Zama)" illustration and parts list and "Carburetor Assembly (Walbro)" illustration and parts list. |
| 63 | 93101A | 1 | Housing - Fan |
| 64 | 94302 | 1 | Clip - Spring |
| 65 | 92747 | 1 | Flange - Carburetor Mounting |
| 66 | 213211 | 1 | Kit - Carburetor Boot |
| 67 | 95656 | 1 | Eyelet |
| 68 | 111002 | 1 | Screw - Pan hd 10-16 x .5 |
| 69 | 94501 | 1 | Nut - Hx M5 x 0.8 Thin |
| 70 | 93720 | 1 | Pickup - Fuel |
| 71 | 94491 | 1 | Seal - Fuel Vent |
| 72 | 93997 | 1 | Hose - Fuel |
| 73 | 90869 | 1 | Filter - Vent |
| 74 | 95301 | 1 | Kit - Fuel Tank |
| 75 | 95300 | 1 | Cap Assembly - Fuel |
| 76 | | | Handle Assemblies Not available separately. See "Handle Assemblies" illustration and parts list. |
| 77 | 213166 | 4 | Screw - Hx Wsh M6 x 16 |
| 78 | 102523 | 4 | Washer - Lock |
| 79 | 105043 | 4 | Washer - 1/4 Plain |
| 80 | 214152 | 1 | Kit - Top Shroud |
| 81 | 214350 | 1 | Insulator |
| 82 | 214154 | 1 | Kit - Bottom Shroud |
| 83 | 214350 | 1 | Insulator |
| 84 | 120095 | 1 | Screw - WH M5 x 20 ST |
| 85 | 94192 | 1 | Grommet |
| 86 | 120034 | 2 | Nut - Hx M6 x 1.0 |
| 87 | 110999 | 1 | Screw - Hx hd 6-20 x 16 WH |
| 88 | 94540 | 1 | Rod - Oiler |
| 89 | 100001 | 1 | Washer - Plain |
| 90 | 93304A | 1 | Knob - Oiler |
| 91 | 93634A | 1 | Spring - Compression |
| 92 | 120095 | 2 | Screw - WH M5 x 20 ST |
| 93 | 93274 | 1 | Cap - Oil |
| 94 | 216696 | 1 | Tank Assembly - Oil |
| 95 | 94405 | 1 | Hose - Oil Pickup |
| 96 | 93998 | 1 | Spring - Oil Hose |
| 97 | 92465 | 1 | Pickup - Oil |
| 98 | 93856 | 1 | Plate - Name (PM 310) |
| 98 | 93854 | 1 | Plate - Name (PM 320) |

| Ref # | Part Number | Qty | Description |
|-------|-------------|-----|--|
| 98 | 93858 | 1 | Plate - Name (PM 330) |
| 99 | 95206 | 1 | Plate - Instruction |
| 100 | | | Powerhead Assembly Not available separately. See "Powerhead Assembly" illustration and parts list. |



| Ref # | Part Number | Qty | Description |
|-------|-------------|-----|---------------------------------|
| 1 | 93529 | 2 | Bolt - Shoulder |
| 2 | 93530A | 4 | Spring - Mount |
| 3 | 92704 | 1 | Mount |
| 4 | 94038 | 1 | Hub - Mount |
| | 213230 | | Handle Assembly |
| | 213231 | | Handle Assembly |
| | 213235 | | Handle Assembly |
| 5 | 111032 | A/R | Screw - Pan hd 10-16 x 5/8 |
| 6 | 92704 | 1 | Mount |
| 7 | 94038 | 1 | Hub - Mount |
| 8 | 213229 | 1 | Handle - Right half |
| 9 | 213224 | 1 | Handle - Long right |
| 10 | 213228 | 1 | Handle - Left half |
| 11 | 213226 | 1 | Handle - Long left |
| 12 | 101326 | 1 | Nut - Hx lock 10-24 |
| 13 | 104400 | 1 | Screw - Pan hd 10-24 x 1-1/4 |
| 14 | 95042 | 1 | Weight - Handle |
| 15 | 93310 | 1 | Trigger - Safety |
| 16 | 93515 | 1 | Spring - Trigger |
| 17 | 213232 | 1 | Trigger - Throttle |
| 18 | 213234 | 1 | Wire Assembly - Throttle |
| 19 | 213233 | 1 | Wire Assembly - Throttle |
| 20 | 110706 | 1 | Screw - Pan hd 8-18 x 1/2 |
| 21 | 62451 | 1 | Contact - Ignition switch |
| 22 | 93505A | 1 | Wire - Stop switch (PM 310/320) |
| 23 | 94039 | 1 | Wire - Stop switch (PM 330) |
| 24 | 68846 | 1 | Button - Stop switch |



| Ref # | Part Number | Qty | Description |
|-------|-------------|-----|---|
| 1 | 93150 | 1 | Bail |
| 2 | 217168 | 1 | Connector - Outlet |
| 3 | 216424 | 1 | Pump Assembly - Chain Oiler |
| 4 | 215196 | 1 | Connector - Hose |
| 5 | 94115 | 1 | Valve - Oiler |
| 6 | 93639 | 1 | Screw - 6-40 x .800 |
| 7 | 215151 | 1 | Cap - Oil Pump |
| 8 | 93301 | 1 | Plunger - Oil Pump |
| 9 | 105614 | 1 | "O" Ring - .239 x .070 |
| 10 | 93632 | 1 | Spring |
| 11 | | 1 | Piston Assembly - Oiler Not available separately. |
| 12 | | 1 | Ring - Oil Pump Piston Not available separately. |
| 13 | | 1 | "O" Ring - .114 x .070 Not available separately. |
| 14 | 83891 | 1 | Spring - Return |
| 15 | | 1 | Sleeve - Oil Pump Not available separately. |
| 16 | | 1 | Eyelet Not available separately. |
| 17 | 110653 | 1 | "O" Ring |
| 18 | 215411 | 1 | Muffler/Deflector Assembly |
| 19 | 110681 | 2 | Screw - Skt hd 10-24 x 1/4 |
| 20 | 92961 | 1 | Deflector - Exhaust |
| 21 | 215394 | 2 | Screw - Special M6 |
| 22 | 213169 | 1 | Nut - Hx Flg M8 x 1.25 |
| 23 | 94737 | 1 | Flywheel/Pawl Assembly |
| 24 | 216984 | 2 | Pin - Starter Pawl |
| 25 | 216982 | 2 | Spring - Pawl |
| 26 | 216983 | 2 | Pawl - Starter |
| 27 | 102164 | 1 | Key - Woodruff |
| 28 | 120027 | 1 | Screw - Pan hd M5 x 18 (SEMS) |
| 29 | 120112 | 2 | Screw - Skt hd M5 x 40 |
| 30 | 24236 | 1 | Washer - Special |
| 31 | 93514 | 1 | Wire Assembly - Ground |
| 32 | 93795 | 1 | Wire Assembly - Ground |
| 33 | 216599 | 1 | Electronic Ignition Assembly |
| 34 | 102556 | 1 | Connector - Spark Plug |
| 35 | 95266 | 1 | Boot - Spark Plug |
| 36 | 214356 | 1 | Spacer - Coil |
| 37 | 215601 | 1 | Manifold - Carburetor |
| 38 | 92778 | 1 | Gasket - Insulator |
| 39 | 120097 | 4 | Screw - Hx W/H M5 x 25 |
| 40 | 215943 | 1 | Cylinder/Crankcase Assembly |
| 41 | 92777 | 1 | Bolt - Bar Mounting |
| 42 | 94660 | 1 | Piston Assembly |
| 43 | 94136 | 1 | Ring Set |
| 44 | 92836 | 1 | Pin - Piston |
| 45 | 111026 | 2 | Ring - Snap |
| 46 | 94135 | 1 | Connecting Rod Assembly |
| 47 | 94654 | 2 | Screw - Connecting Rod |
| 48 | 110984 | 1 | Bearing - Needle |
| 49 | 68095 | 1 | Roller - Needle (set of 20) |
| 50 | 92750 | 1 | Crankshaft |
| 51 | 213282 | 2 | Bearing - Crankshaft |
| 52 | 83859 | 2 | Seal - Crankshaft Oil |
| 51 | 93763 | 1 | Sleeve Assembly - Bearing |
| 52 | 83859 | 2 | Seal - Crankshaft Oil |

| Ref # | Part Number | Qty | Description |
|-------|-------------|-----|--|
| 53 | 93018 | 1 | Spark Plug Used on PM 310, PM 320 and PM 330 with suffix letters B and E. |
| 53 | 214223 | 1 | Spark Plug Used on PM 310, PM 320 and PM 330 with suffix letters A, D, F, G, H, J, K, M, N, P and U. |
| | 216426 | | Oil Pump Repair Kit |