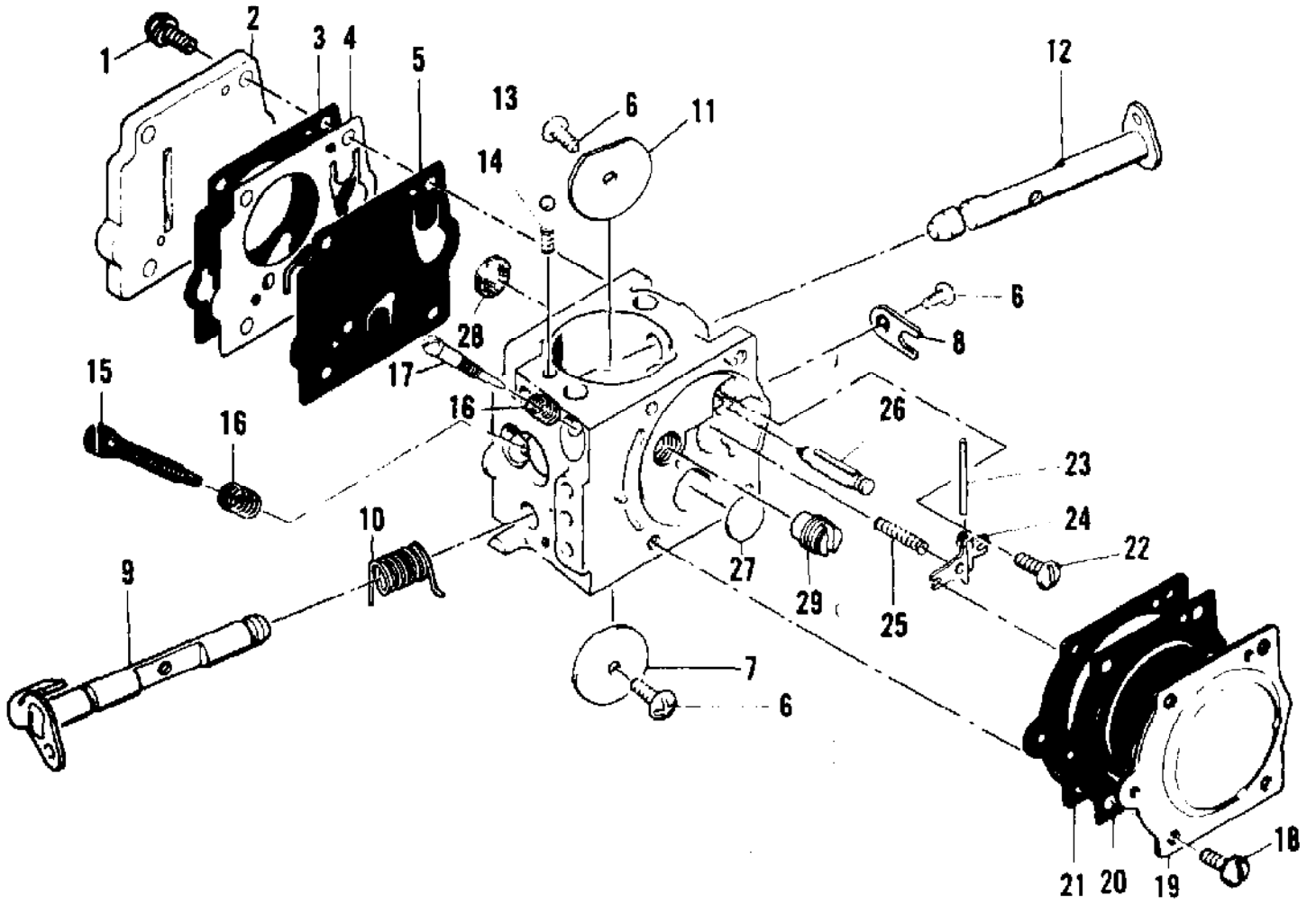


No  
Diagram  
Available  
  
Parts List  
Only

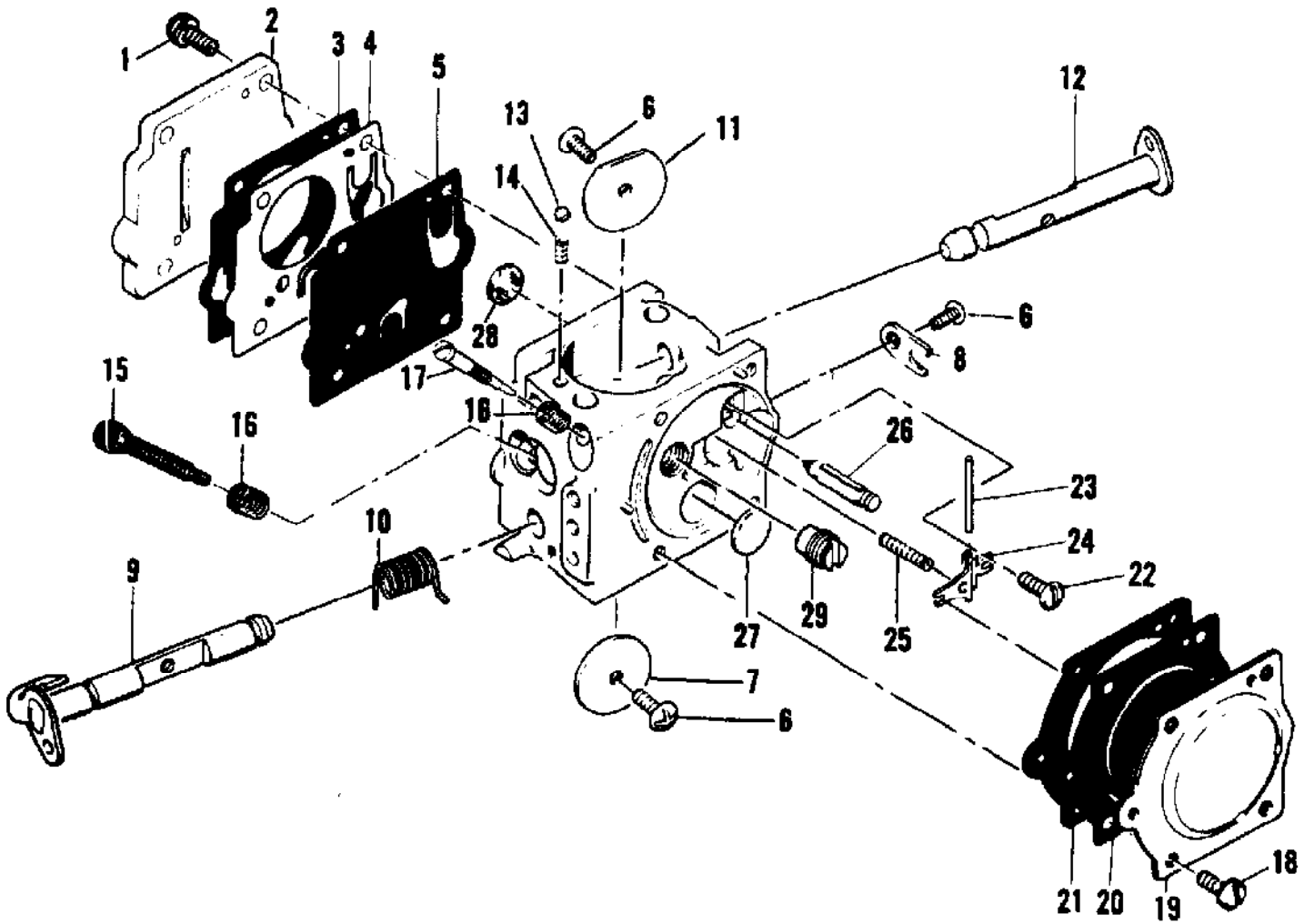
| Ref # | Part Number | Qty | Description                 |
|-------|-------------|-----|-----------------------------|
|       | 84922       |     | Kit - Spark arrester baffle |
|       | 86355       |     | Kit - Preheater             |
|       | 85488       |     | Guard - Crankshaft seal     |
|       | 63746       |     | Wrench                      |



| Ref # | Part Number | Qty | Description              |
|-------|-------------|-----|--------------------------|
|       | 89869       | 1   | Carburetor Assy          |
| 1     | 67501       | 4   | Screw - Pump cover       |
| 2     | 88731       | 1   | Kit - Pump cover         |
| 3     | 88617       | 1   | Gasket - Cover           |
| 4     | 67498       | 1   | Diaphragm - Check valve  |
| 5     | 83114       | 1   | Diaphragm - Fuel pump    |
| 6     | 47690       | 3   | Screw - Plate            |
| 7     | 83762       | 1   | Plate - Throttle         |
| 8     | 67489       | 1   | Clip - Shaft             |
| 9     | 67486       | 1   | Shaft Assy - Throttle    |
| 10    | 85981       | 1   | Spring - Throttle return |
| 11    | 67490       | 1   | Plate - Choke            |
| 12    | 67488       | 1   | Shaft Assy - Choke       |
| 13    | 100302      | 1   | Ball - Choke friction    |
| 14    | 67504       | 1   | Spring - Choke friction  |
| 15    | 68106       | 1   | Screw - Idle speed       |
| 16    | 67502       | 2   | Spring - Idle            |
| 17    | 90345       | 1   | Needle - Idle mixture    |
| 18    | 70798       | 4   | Screw - Diaphragm cover  |
| 19    | 83761       | 1   | Cover - Diaphragm        |
| 20    | 67499       | 1   | Diaphragm - Metering     |
| 21    | 67496       | 1   | Gasket - Diaphragm       |
| 22    | 67500       | 1   | Screw - Lever pin        |
| 23    | 67508       | 1   | Pin - Lever              |
| 24    | 67509       | 1   | Lever - Inlet            |
| 25    | 67503       | 1   | Spring - Lever           |
| 26    | 67491       | 1   | Valve - Needle           |
| 27    | 71690       | 1   | Plug - 3/8               |
| 28    | 67507       | 1   | Screen - Fuel            |
| 29    | 90348       | 1   | Jet - H/S (31)           |
|       | 90349       | 1   | Jet - H/S (28)           |
|       | 90350       |     | Jet - H/S (26) Alt.      |
|       | 90351       |     | Jet - H/S (29) Alt.      |
|       | 88619       |     | Kit - Gasket             |
|       | 88620       |     | Kit - Repair             |

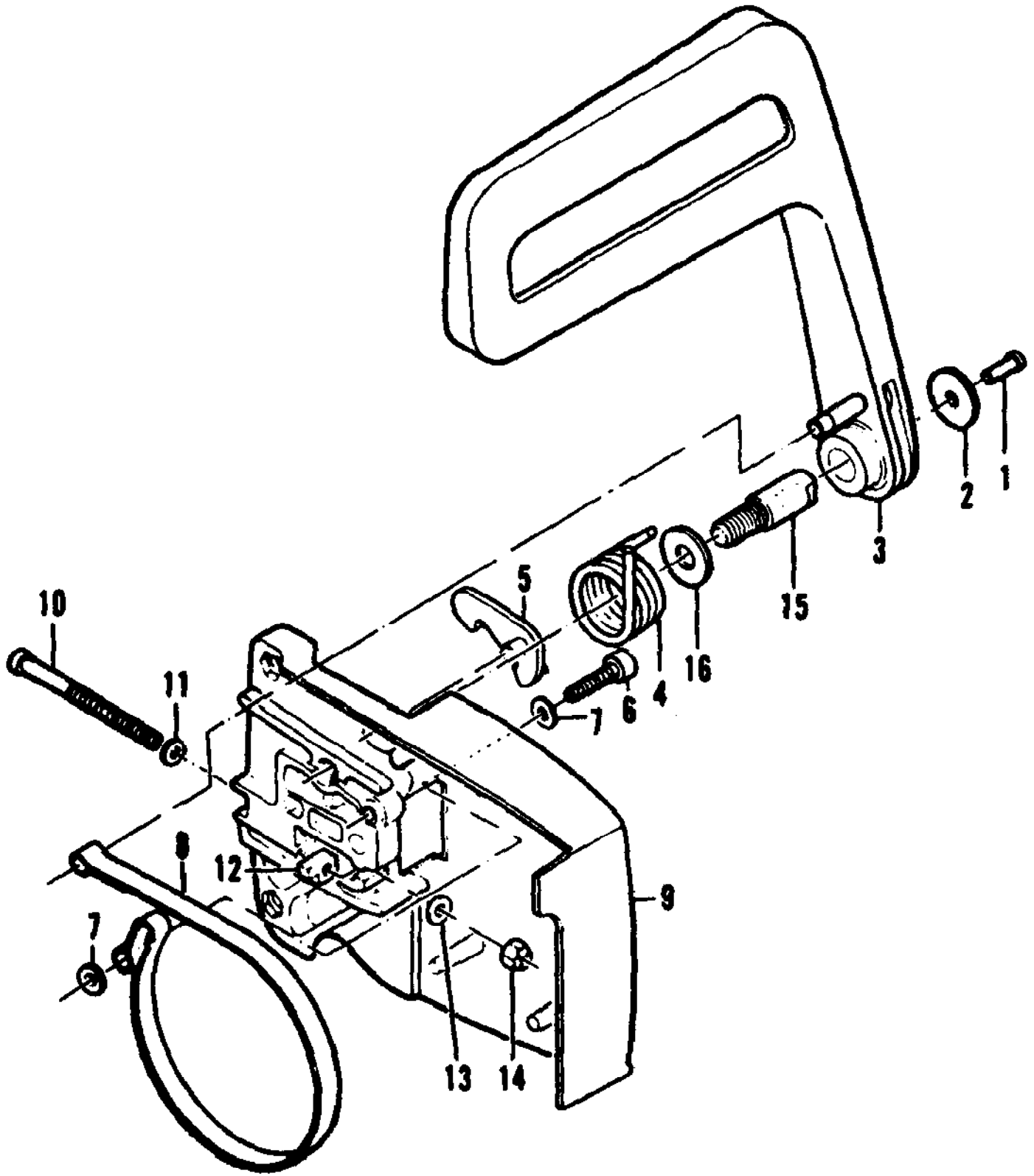


| Ref # | Part Number | Qty | Description                   |
|-------|-------------|-----|-------------------------------|
|       | 91121       | 1   | Carburetor Assy               |
| 1     | 52933       | 4   | Screw - Pump cover            |
| 2     | 66628       | 1   | Cover - pump                  |
| 3     | 66629       | 1   | Gasket - Pump cover           |
| 4     | 66630       | 1   | Diaphragm - Fuel pump         |
| 5     | 48780       | 1   | Screw - Throttle shaft clip   |
| 6     | 66646       | 1   | Clip - Throttle shaft         |
| 7     | 48780       | 1   | Screw - Throttle plate        |
| 8     | 51720       | 1   | Plate - Throttle              |
| 9     | 87922       | 1   | Shaft Assy - Throttle         |
| 10    | 67136       | 1   | Spring - Throttle shaft       |
| 11    | 65856       | 1   | Plate - Choke                 |
| 12    | 83725       | 1   | Shaft Assy - Choke            |
| 13    | 100071      | 1   | Ball - Choke friction         |
| 14    | 48759       | 1   | Spring - Choke friction       |
| 15    | 88768       | 1   | Needle - Idle mixture         |
| 16    | 66626       | 1   | Spring - Idle                 |
| 16A   | 66626       | 1   | Spring - Idle                 |
| 16B   | 66625       | 1   | Screw - Idle speed adjustment |
| 17    | 51721       | 4   | Screw - Diaphragm cover       |
| 18    | 83724       | 1   | Cover - Diaphragm             |
| 19    | 66632       | 1   | Diaphragm - Metering          |
| 20    | 66633       | 1   | Gasket - Diaphragm            |
| 21    | 66644       | 1   | Screw - Inlet lever pin       |
| 22    | 66636       | 1   | Pin - Inlet lever             |
| 23    | 66638       | 1   | Lever - Inlet                 |
| 24    | 66404       | 1   | Spring - Inlet lever          |
| 25    | 66637       | 1   | Needle - Inlet                |
| 26    | 66623       | 1   | Screen - Fuel inlet           |
| 27    | 88771       | 1   | Jet - H/S fuel (029)          |
|       | 88772       |     | Jet - H/S fuel (028) Alt.     |
|       | 88781       |     | Jet - H/S fuel (027) Alt.     |
| 28    | 52928       | 1   | Plug - Cup                    |
| 29    | 66622       | 1   | Plug - Welch                  |
|       | 88774       |     | Gasket Set                    |
|       | 88775       |     | Repair Kit                    |
|       | 88776       |     | Gasket & Diaphragm Set        |

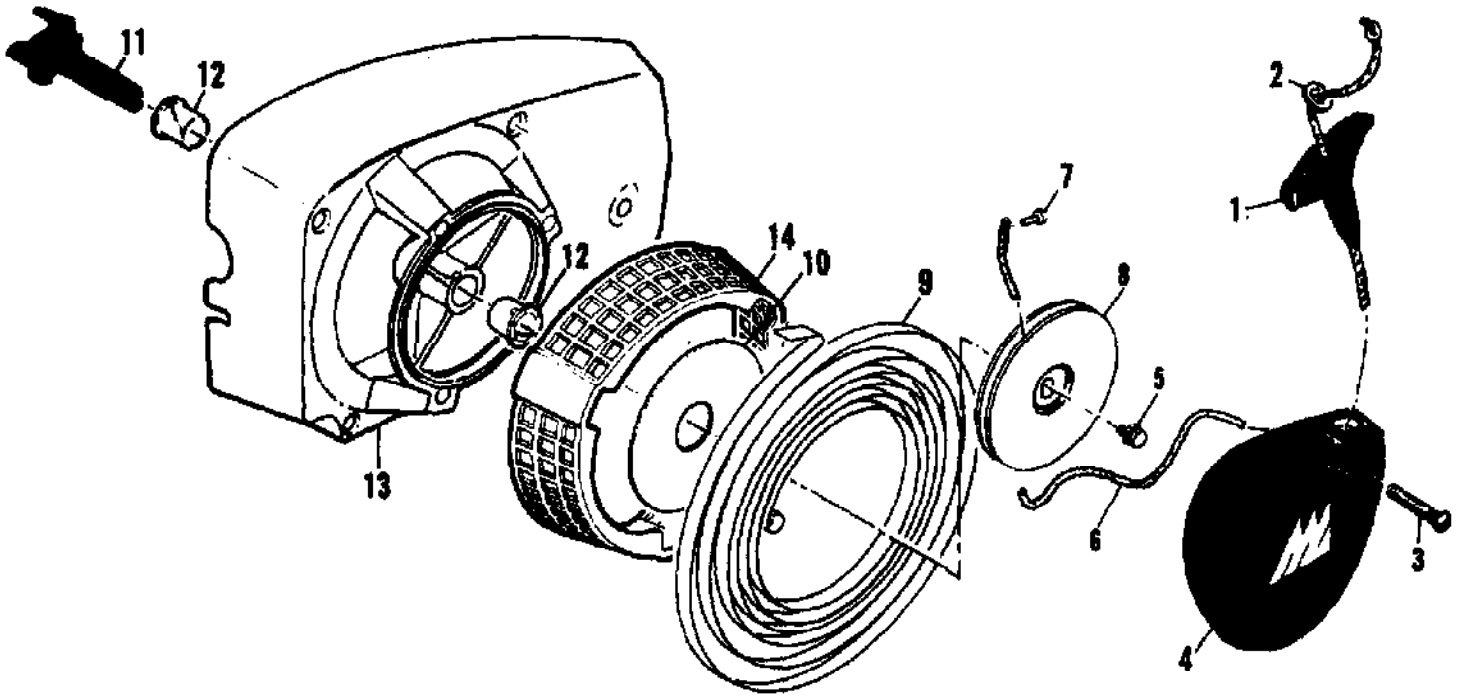


| Ref # | Part Number | Qty | Description              |
|-------|-------------|-----|--------------------------|
|       | 91275       | 1   | Carburetor Assy          |
| 1     | 67501       | 4   | Screw - Pump cover       |
| 2     | 88731       | 1   | Kit - Pump cover         |
| 3     | 88617       | 1   | Gasket - Cover           |
| 4     | 67498       | 1   | Diaphragm - Check valve  |
| 5     | 83114       | 1   | Diaphragm - Fuel pump    |
| 6     | 47690       | 3   | Screw - Plate            |
| 7     | 83762       | 1   | Plate - Throttle         |
| 8     | 67489       | 1   | Clip - Shaft             |
| 9     | 67486       | 1   | Shaft Assy - Throttle    |
| 10    | 85981       | 1   | Spring - Throttle return |
| 11    | 67490       | 1   | Plate - Choke            |
| 12    | 67488       | 1   | Shaft Assy - Choke       |
| 13    | 100302      | 1   | Ball - Choke friction    |
| 14    | 67504       | 1   | Spring - Choke friction  |
| 15    | 68106       | 1   | Screw - Idle speed       |
| 16    | 67502       | 2   | Spring - Idle            |
| 17    | 90345       | 1   | Needle - Idle mixture    |
| 18    | 70798       | 4   | Screw - Diaphragm cover  |
| 19    | 83761       | 1   | Cover - Diaphragm        |
| 20    | 67499       | 1   | Diaphragm - Metering     |
| 21    | 67496       | 1   | Gasket - Diaphragm       |
| 22    | 67500       | 1   | Screw - Lever            |
| 23    | 67508       | 1   | Pin - Lever              |
| 24    | 67509       | 1   | Lever - Inlet            |
| 25    | 67503       | 1   | Spring - Lever           |
| 26    | 67491       | 1   | Valve - Needle           |
| 27    | 71690       | 1   | Plug - 3/8               |
| 28    | 67507       | 1   | Screen - Fuel            |
| 29    | 90350       | 1   | Jet - H/S fuel (28)      |
|       | 90351       |     | Jet - H/S fuel (26) Alt  |
|       | 90349       |     | Jet - H/S fuel (29) Alt  |
|       | 88619       |     | Kit - Gasket             |
|       | 88620       |     | Kit - Repair             |

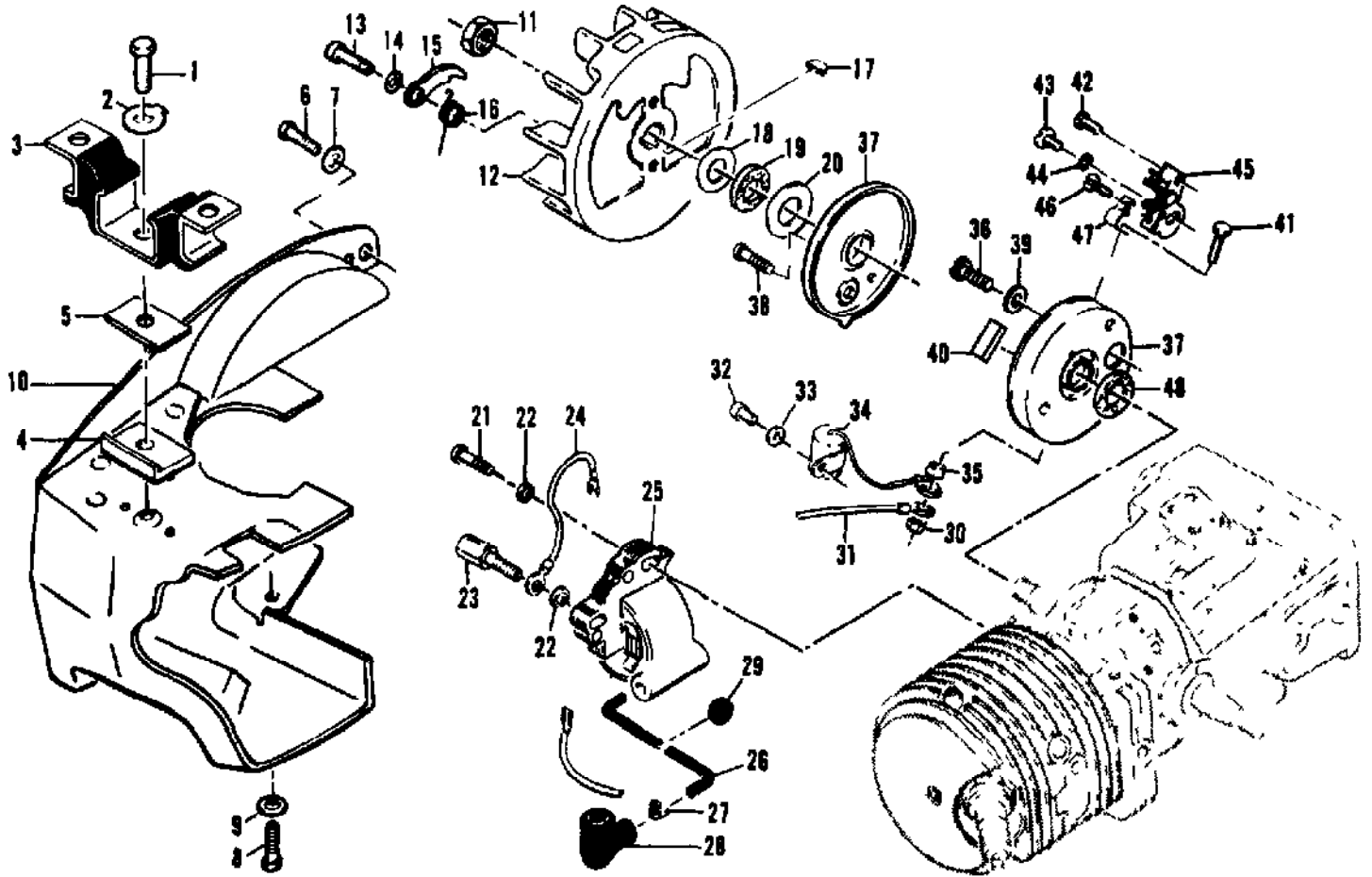




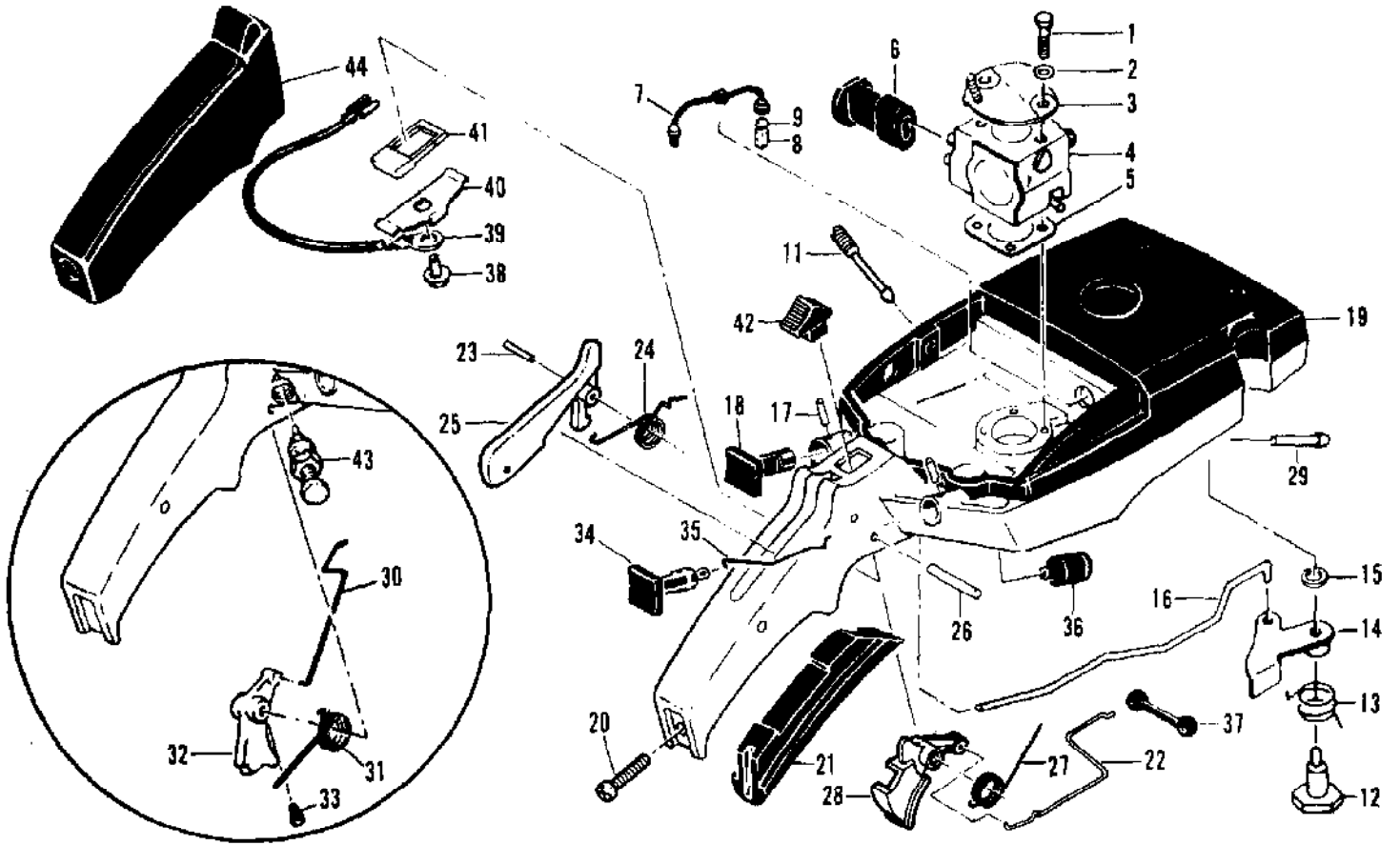
| Ref # | Part Number | Qty | Description                  |
|-------|-------------|-----|------------------------------|
|       | 91278       | 1   | Chain Brake Assy             |
| 1     | 102500      | 1   | Screw - Pan hd 10-24 x 1/2   |
| 2     | 91273       | 1   | Washer - Special             |
| 3     | 91251A      | 1   | Lever Assy                   |
| 4     | 91239       | 1   | Spring                       |
| 5     | 91235A      | 1   | Latch Assy                   |
| 6     | 105738      | 1   | Screw - Skt hd 1/4-20 x 7/8  |
| 7     | 91274       | 2   | Washer - Special             |
| 8     | 91238       | 1   | Band                         |
| 9     | 91249       | 1   | Housing Assy                 |
| 10    | 110527      | 1   | Screw - Fil hd 10-24 X 2-3/4 |
| 11    | 110264      | 1   | Washer - #10                 |
| 12    | 61705       | 1   | Nut - Bar adjusting          |
| 13    | 100002      | 1   | Washer - #10                 |
| 14    | 102067      | 1   | Nut - Hex 10-24              |
| 15    | 91246       | 1   | Pin - Lever pivot            |
| 16    | 91245       | 1   | Washer - Thrust              |



| Ref # | Part Number | Qty | Description                  |
|-------|-------------|-----|------------------------------|
| 1     | 91255       | 1   | Kit - Starter handle         |
| 2     | 105490      | 1   | Washer - Starter handle      |
|       | 87667       | 1   | Fan Housing & Starter Asy    |
| 3     | 110646      | 3   | Screw - Oval hd 8-32 x 1-1/8 |
| 4     | 87672       | 1   | Cover - Starter              |
| 5     | 110341      | 1   | Screw - Hx hd 10-24 x 1/2    |
| 6     | 68162       | 1   | Rope - Starter               |
| 7     | 110470      | 1   | Rivet - Rope                 |
| 8     | 85122       | 1   | Drum - Starter               |
| 9     | 87680       | 1   | Spring - Rewind              |
| 10    | 86053       | 1   | Shield - Spring              |
| 11    | 83748       | 1   | Shaft - Starter              |
| 12    | 57535       | 2   | Bushing - Starter            |
| 13    | 87693       | 1   | Kit - Fan housing            |
| 14    | 87674       | 1   | Guard - Sawdust              |

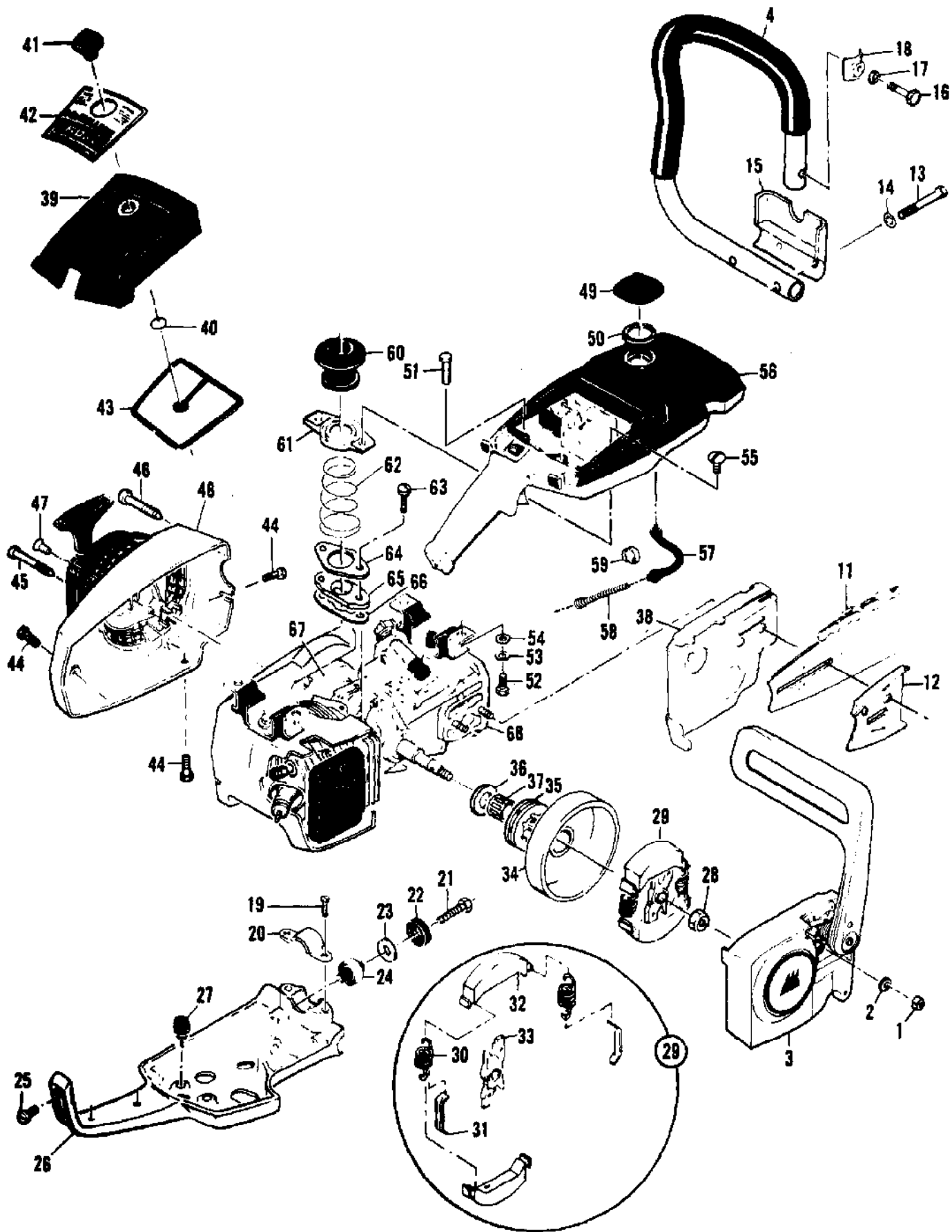


| Ref # | Part Number | Qty | Description                    |
|-------|-------------|-----|--------------------------------|
| 1     | 83811       | 1   | Screw-Special                  |
| 2     | 69924       | 1   | Plate-Lock                     |
| 3     | 91578       | 1   | Mount-Rear                     |
| 4     | 83693       | 1   | Kit-Rear mount adaptor         |
| 5     | 84619       | 1   | Insulator-Rear mount           |
| 6     | 110776      | 1   | Screw- Fil hd 8-32 x 3/8       |
| 7     | 100057      | 1   | Washer-Lock #8                 |
| 8     | 110640      | 1   | Screw-Hx hd 12-24 x 5/8        |
| 9     | 110106      | 1   | Washer #12                     |
| 10    | 85747A      | 1   | Shroud Asy                     |
| 11    | 110703      | 1   | Nut-Hx 3/8-24                  |
| 12    | 86068       | 1   | Flywheel Asy                   |
| 13    | 88804       | 2   | Screw-Pawl pivot               |
| 14    | 83241       | 2   | Washer-Special                 |
| 15    | 67546       | 2   | Pawl-Starter                   |
| 16    | 67545       | 2   | Spring-Pawl                    |
| 17    | 100106      | 1   | Key-Woodruff                   |
| 18    | 67057       | 1   | Washer-Thrust                  |
| 19    | 67056       | 1   | Seal-Breaker box cover         |
| 20    | 67054       | 1   | Washer-Thrust                  |
| 21    | 110127      | 1   | Screw-Hx hd 10-24 x 7/8 (SEMS) |
| 22    | 100002      | 2   | Washer #10                     |
| 23    | 83512       | 1   | Stud-Special                   |
| 24    | 85798       | 1   | Wire Asy-Ground                |
| 25    | 87246A      | 1   | Coil & Lamination Asy          |
| 26    | 50120       | 1   | Wire Asy-Spark plug            |
| 27    | 55061       | 1   | Connector                      |
| 28    | 85758       | 1   | Boot                           |
| 29    | 100268      | 1   | Grommet                        |
| 30    | 100298      | 1   | Nut-Hx 6-32                    |
| 31    | 85796       | 1   | Wire Asy-Primary               |
| 32    | 110338      | 1   | Screw-Fil hd 8-32 x 1/2        |
| 33    | 100080      | 1   | Washer-#8                      |
| 34    | 85358       | 1   | Condenser                      |
| 35    | 62365       | 1   | Spacer-Breaker box             |
| 36    | 110584      | 1   | Screw-Pan hd 8-32 x 3/4        |
| 37    | 91852       | 1   | Kit-Breaker Box & Cover        |
| 38    | 110489      | 1   | Screw-Pan hd 6-32 x 7/16       |
| 39    | 91838       | 1   | Washer                         |
| 40    | 54184       | 1   | Wiper-Cam                      |
| 41    | 110346      | 1   | Screw-Hx hd 6-32 x 3/4         |
| 42    | 110811      | 1   | Screw-Pan hd 8-32 x 3/8        |
| 43    | 110969      | 1   | Screw-Hx hd 8-32 x 1/2         |
| 44    | 105976      | 1   | Washer #8                      |
| 45    | 88808       | 1   | Breaker Asy                    |
| 46    | 110706      | 1   | Screw-Pan hd 6-32 x 7/16 s/t   |
| 47    | 83126       | 1   | Strap-Conduction               |
| 48    | 67051       | 1   | Seal-Breaker box               |



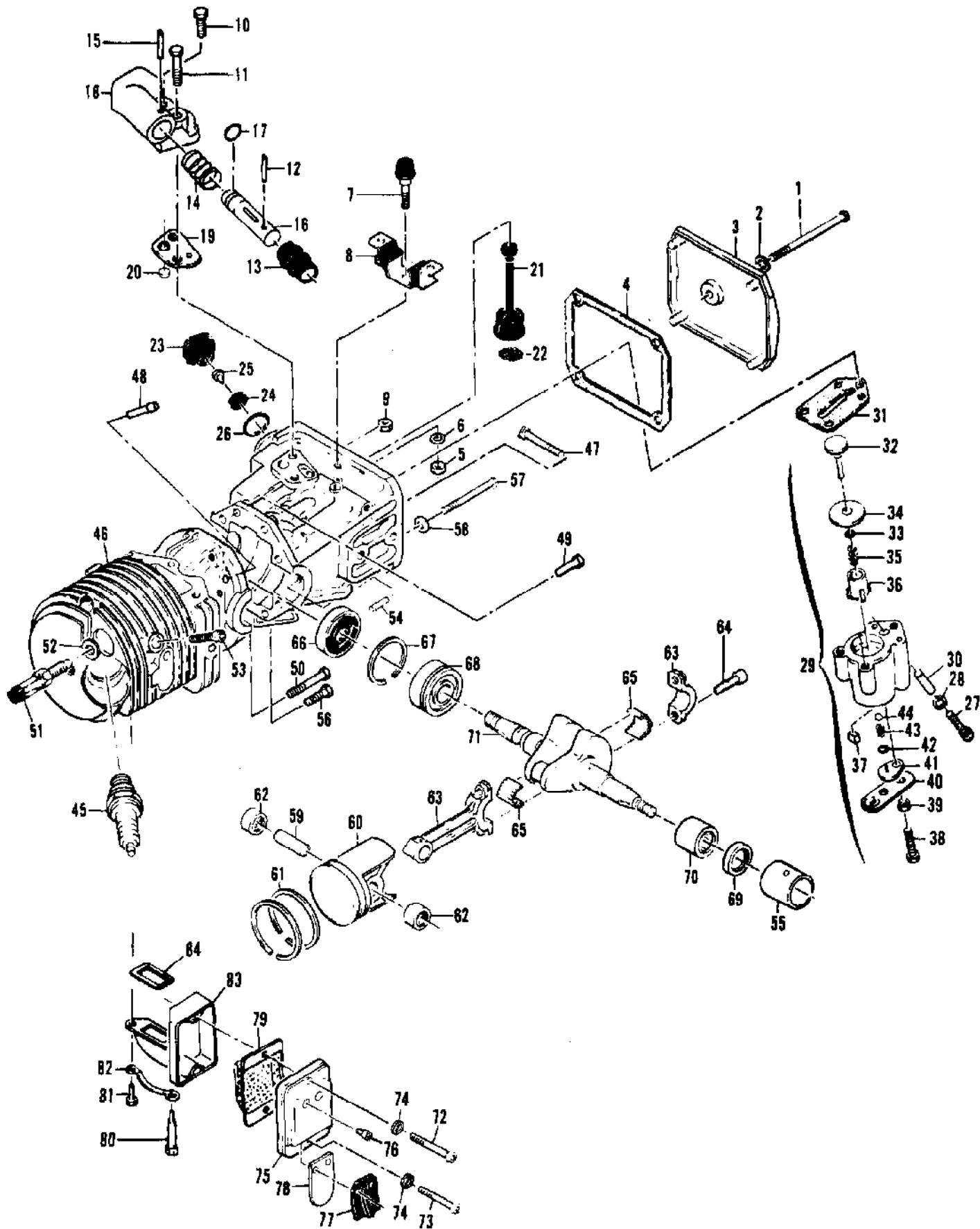
| Ref # | Part Number | Qty | Description   |
|-------|-------------|-----|---|
| 1     | 110894      | 2   | Screw-Hx hd 10-24 x 2-1/8   |
| 2     | 110964      | 2   | Washer  |
| 3     | 83204       | 1   | Bracket Assembly  |
| 4     |             |     | Carburetor Asy See "Carburetor Assemblies (Part 2 and Part 3)" illustrations and parts lists. |
| 5     | 86189       | 1   | Gasket - Carburetor   |
| 6     | 69629       | 1   | Boot - Carburetor controls  |
| 6     | 85901       | 1   | Boot - Carburetor controls  |
| 7     | 64848       | 1   | Hose Assembly - Fuel  |
| 8     | 63932       | 1   | Filter - Fuel   |
| 9     | 100440      | 1   | Washer  |
| 11    | 86273       | 1   | Screw - Idle speed  |
| 12    | 69594       | 1   | Pivot - Oiler lever   |
| 13    | 69781       | 1   | Spring - Oiler lever  |
| 14    | 69825       | 1   | Lever Assembly - Oiler  |
| 15    | 105048      | 1   | Washer - 3/16   |
| 16    | 69802       | 1   | Rod - Oiler   |
| 17    | 105673      | 2   | Pin - Roll 3/32 x 9/16  |
| 18    | 63044       | 1   | Button - Oiler  |
| 19    | 87888A      | 1   | Tank/Control Assy   |
| 19    | 87893A      | 1   | Tank Assy - Fuel  |
| 20    | 105722      |     | Screw - Fil hd 3/4-20 x 1 3/8   |
| 21    | 89400       | 1   | Insert - Handle grip  |
| 22    | 92155       | 1   | Rod - Throttle  |
| 23    | 105654      | 1   | Pin - Roll 1/8 x 7/8  |
| 24    | 92154       | 1   | Spring - Trigger release  |
| 25    | 92153       | 1   | Release - Trigger   |
| 26    | 110378      | 1   | Pin-Roll 3/16 x 15/16   |
| 27    | 92152       | 1   | Spring - Trigger  |
| 28    | 92151       | 1   | Trigger - Throttle  |
| 29    | 69600       | 1   | Nipple - Pulse line   |
| 30    | 69632       |     | Rod - Throttle  |
| 31    | 87178       | 1   | Spring - Trigger  |
| 32    | 88796       | 1   | Trigger - Throttle  |
| 33    | 110668      | 1   | Screw - Fil hd 8-36 x 5/8   |
| 34    | 69630       | 1   | Button - Choke  |
| 35    | 69631       | 1   | Rod - Choke   |
| 36    | 69597       | 2   | Boot - Control rod  |
| 37    | 69043       | 1   | Snubber - Rod   |
| 38    | 110706      | 1   | Screw - Fil hd 8-18 x 1/2 (SEMS)  |
| 39    | 83661       | 1   | Wire Asy - Stop switch  |
| 40    | 62451       |     | Contact - Switch  |
| 41    | 62950A      | 1   | Base - Switch   |
| 42    | 68846       | 1   | Button - Switch   |
| 43    | 85451       | 1   | Latch Asy - Throttle  |
| 44    | 91583       | 1   | Grip - Handle   |





| Ref # | Part Number | Qty | Description   |
|-------|-------------|-----|---|
| 1     | 110961      | 2   | Nut - Hx 5/16-24  |
| 2     | 100440      | 2   | Washer - 5/16   |
| 3     |             |     | CHAIN BRAKE Asy See "Chain Brake Assembly" illustration and parts list.                 |
| 4     | 91586       | 1   | Frame & Grip  |
| 11    |             |     | Bar & Chain Asy   |
| 12    | 64325       |     | Plate - Bar protector   |
| 13    | 102433      | 2   | Screw - Hx hd 10-24 x 1-5/8   |
| 14    | 101194      | 2   | Lockwasher - #10  |
| 15    | 84798       | 1   | Clamp - Frame   |
| 16    | 102130      | 1   | Screw - Hx hd 1/4-20 x 1-1/2  |
| 17    | 100153      | 1   | Lockwasher - 1/4"   |
| 18    | 63484       | 1   | Clamp - Frame   |
| 19    | 104950      | 2   | Screw - Hx hd 10-24 x 5/8 (SEMS)  |
| 20    | 83819       | 1   | Clamp - Lower mount   |
| 21    | 110679      | 1   | Screw - Hx hd 1/4-20 x 2  |
| 22    | 84661       | 1   | Grommet   |
| 23    | 110845      | 1   | Washer - 1/4  |
| 24    | 85898       | 1   | Mount - Lower   |
| 25    | 105722      | 1   | Screw - Fil hd 1/4-20 x 1-3/8   |
| 26    | 90986       | 1   | Brace - Frame   |
| 27    | 89403       | 2   | Bumper  |
| 28    | 86113       | 1   | Nut - Hx 3/8-24 L.H.  |
| 29    | 87675       | 1   | Clutch Asy  |
| 30    | 83223       | 2   | Spring - Clutch   |
| 31    | 64583       | 2   | Retainer - Spring   |
| 32    | 67233       | 2   | Shoe - Clutch   |
| 33    | 89438       | 1   | Rotor - Clutch  |
| 34    | 86948       | 1   | Drum - Clutch   |
| 35    | 86943       | 1   | Sprocket - 8T .375  |
| 36    | 86958       | 1   | Washer - Sprocket   |
| 37    | 110330      | 1   | Bearing - Sprocket  |
| 38    | 84978       |     | Guard - Sawdust   |
| 39    | 84700       | 1   | Cover Asy - Air cleaner   |
| 40    | 110565      | 1   | Ring - Retaining  |
| 41    | 68529       | 1   | Knob - Cover  |
| 42    | 91587       | 1   | Nameplate   |
| 43    | 85387       | 1   | Filter Asy - Air  |
| 44    | 110741      | 3   | Screw - Pan hd 10-24 x 1/2  |
| 45    | 87871       | 1   | Screw - Special   |
| 46    | 85242       | 1   | Screw - Special   |
| 46    | 87871       | 1   | Screw - Special   |
| 47    | 110667      | 1   | Rivet   |
| 48    |             |     | Fan Housing & Starter See "Fan Housing & Starter Assembly" illustration and parts list. |
| 49    | 89322       | 1   | Cap - Fuel  |
| 50    | 69767       | 1   | Gasket - Fuel cap   |
| 51    | 110746      | 2   | Screw - Hx hd 10-24 x 1/2   |
| 52    | 102861      | 2   | Screw - Hx hd 1/4-20 x 5/8  |
| 53    | 100153      | 2   | Lockwasher - 1/4  |
| 54    | 100005      | 2   | Washer - 1/4  |
| 55    | 110807      | 2   | Screw - Pan hd 8-32 x 5/16  |
| 56    |             |     | Fuel Tank Asy See "Fuel Tank Assembly" illustration and parts list.                     |

| Ref # | Part Number | Qty | Description   |
|-------|-------------|-----|---|
| 57    | 69598       | 1   | Line - Pulse  |
| 58    | 61944       | 1   | Spring  |
| 59    | 87826       | 1   | Clamp - Pulse line  |
| 60    | 87841       | 1   | Boot - Port   |
| 60    | 88834A      | 1   | Boot - Port   |
| 61    | 83122       | 1   | Clamp Asy - Boot  |
| 61    | 86175       | 1   | Clamp Asy - Boot  |
| 62    | 86190       | 1   | Spring - Ground   |
| 63    | 104396      | 2   | Screw - Pan hd 10-24 x 3/4  |
| 64    | 69759A      | 1   | Clamp - Boot  |
| 65    | 87844       | 1   | Insulator - Inlet   |
| 66    | 88740       | 1   | Gasket - Insulator  |
| 67    |             |     | Flywheel & Ignition System See "Flywheel & Ignition System Assembly" illustration and parts list. |
| 68    |             |     | Powerhead & Oiler Asys See "Powerhead & Oiler Assembly" illustration and parts list.              |



| Ref # | Part Number | Qty | Description                    |
|-------|-------------|-----|--------------------------------|
| 1     | 110291      | 1   | Screw - Pan hd 10-24 x 2-5/8   |
| 2     | 110921      | 1   | Washer - Sealing               |
| 3     | 86304       | 1   | Cover - Oil tank               |
| 4     | 86306       | 1   | Gasket - Cover                 |
| 5     | 101143      | 1   | Nut - Hx 1/4-20                |
| 6     | 102523      | 1   | Washer - 1/4                   |
| 7     | 69832       | 1   | Bumper - Front                 |
| 8     | 91582       | 1   | Mount - Front                  |
| 9     | 100955      | 1   | Nut - Hx 8-32                  |
| 10    | 110670      | 1   | Screw - Pan hd 8-32 x 5/8      |
| 11    | 105245      | 1   | Screw - Fil hd 8-32 x 1 (SEMS) |
|       | 91507       | 1   | Kit - Manual Oiler             |
| 12    | 105673      | 1   | Pin - Roll 8/32 x 9/16         |
| 13    | 69586       | 1   | Boot - Plunger                 |
| 14    | 69585       | 1   | Spring - Plunger               |
| 15    | 101556      | 1   | Pin - Roll 1/8 x 5/8           |
| 16    | 91219       | 1   | Plunger - Pump                 |
| 17    | 105614      |     | "O" Ring                       |
| 18    | 91218       | 1   | Body - Oil pump                |
| 19    | 91669       | 1   | Gasket - Oil pump              |
| 20    | 91668       | 1   | Valve - Oiler                  |
| 21    | 91672       | 1   | Hose Asy - Oil                 |
| 22    | 51506       | 1   | Screen - Hose                  |
| 23    | 87270       | 1   | Cap Asy - Oil                  |
| 24    | 87269       | 1   | Retainer                       |
| 25    | 86402       | 1   | Valve - Check                  |
| 26    | 101148      |     | "O" Ring                       |
| 27    | 110865      | 1   | Screw - Hx hd 10-24 x 7/8      |
| 28    | 100003      | 1   | Washer - #10                   |
| 29    | 89115A      | 1   | Pump Asy - Pulse               |
| 30    | 91774       | 1   | Sleeve - Pulse Pump            |
| 31    | 92818       | 1   | Seal - Pulse Pump              |
| 32    | 60260A      | 1   | Piston Asy - Pump              |
| 33    | 105603      | 1   | "O" Ring                       |
| 34    | 86182       | 1   | Ring - Piston                  |
| 35    | 60259       | 1   | Spring - Piston                |
| 36    | 62227       | 1   | Sleeve - Adjustment            |
| 37    | 91259       | 1   | Pad - Oil Pump                 |
| 38    | 110386      | 1   | Screw - Hx hd 8-32 x 1         |
| 39    | 100251      | 1   | Nut - Hx 8-32                  |
| 40    | 89114       | 1   | Clamp - Pump                   |
| 41    | 62407       | 1   | Cover - Outlet valve           |
| 42    | 106104      | 1   | "O" Ring                       |
| 43    | 92844       | 1   | Spring - Outlet valve          |
| 44    | 102809      | 1   | Ball - Valve                   |
| 45    | 63432       | 1   | Spark Plug                     |
| 46    | 87737A      | 1   | Cyl/Crankcase Asy              |
| 47    | 62065       | 2   | Bolt - Bar mounting            |
| 48    | 69600       | 1   | Nipple - Pulse line            |
| 49    | 110288      | 2   | Screw - Hx hd 8-32 x 3/4       |
| 50    | 110618      | 1   | Screw - Hx hd 8-32 x 1-3/8     |
| 51    | 87866       | 1   | Valve - DSP                    |
| 52    | 85505       | 1   | Washer - Valve                 |
| 53    | 110681      | 1   | Screw - Skt hd 10-24 x 1/4     |
| 54    | 110851      | 1   | pin - Dowel                    |

| Ref # | Part Number | Qty | Description                    |
|-------|-------------|-----|--------------------------------|
| 55    | 87152       | 1   | Insert - Bearing               |
| 56    | 110288      | 1   | Screw - Hx hd 8-32 x 3/4       |
| 57    | 62105       | 4   | Screw Asy - Sealing            |
| 58    | 62842       | 4   | Washer - Sealing               |
| 59    | 87710       | 1   | Pin - Piston                   |
| 60    | 87713       | 1   | Piston Asy                     |
| 61    | 87716       | 1   | Ring Set - Piston              |
| 62    | 110590      | 2   | Bearing - Needle               |
| 63    | 85352       | 1   | Connecting Rod Asy             |
| 64    | 61627A      | 2   | Screw - Special                |
| 65    | 63225       | 1   | Roller (Set of 20)             |
| 66    | 61618       | 1   | Seal - Oil                     |
| 67    | 63464       | 1   | Ring - Snap                    |
| 68    | 63429B      | 1   | Bearing - Ball                 |
| 69    | 110260      | 1   | Seal - Oil                     |
| 70    | 104357      | 1   | Bearing - Needle               |
| 71    | 87699       | 1   | Crankshaft                     |
| 72    | 101563      | 1   | Screw - Skt hd 10-24 x 1-1/2   |
| 73    | 104534      | 1   | Screw - Skt hd 10-24 x 1-13/32 |
| 74    | 24236       | 2   | Washer - Special               |
| 75    | 87683       | 1   | Cover - Valve Asy              |
| 76    | 110472      | 2   | Screw - Skt hd 8-32 x 5/16     |
| 77    | 87286       | 1   | Stop - Reed                    |
| 78    | 87682       | 1   | Valve - Reed                   |
| 79    | 85152       | 1   | Baffle - Muffler               |
| 80    | 68187       | 1   | Screw - Special                |
| 81    | 110529      | 1   | Screw - Hx hd 10-24 x 1/2      |
| 82    | 67922       | 1   | Lockplate                      |
| 83    | 87663       | 1   | Body & Duct Asy                |
| 84    | 84007       | 1   | Gasket - Muffler               |
|       | 87151       |     | Needle Insert Bearing Asy      |