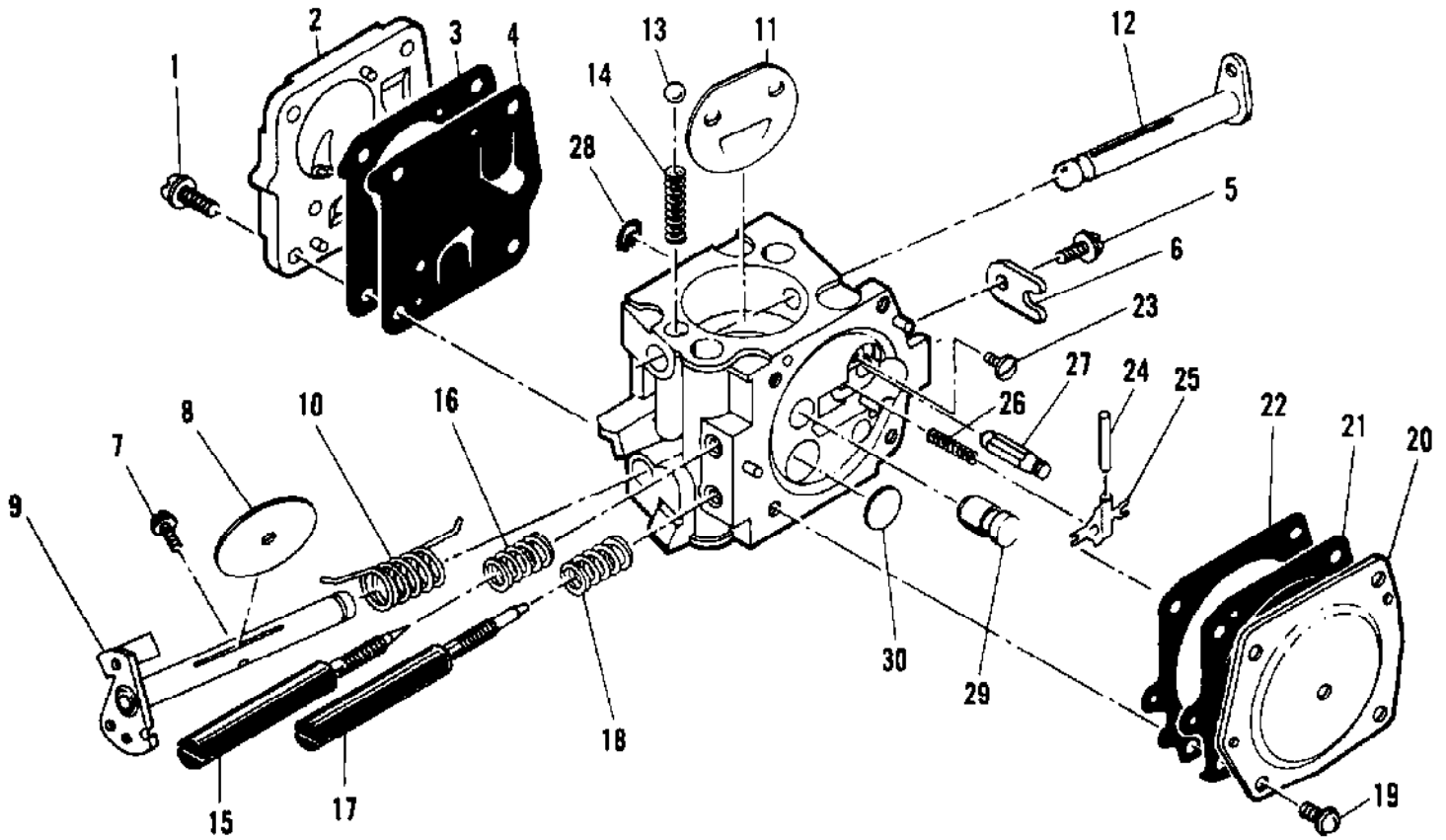
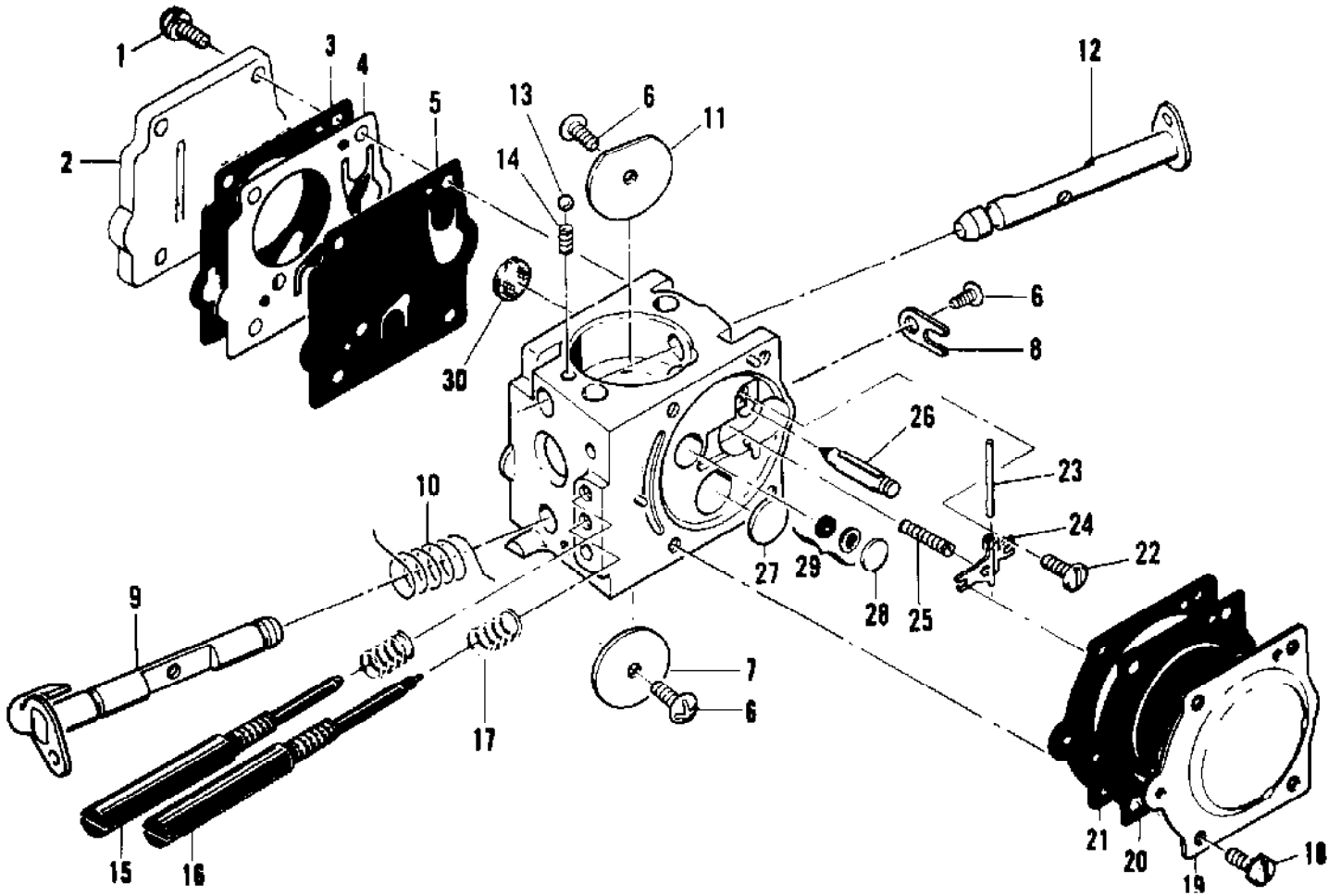


No  
Diagram  
Available  
  
Parts List  
Only

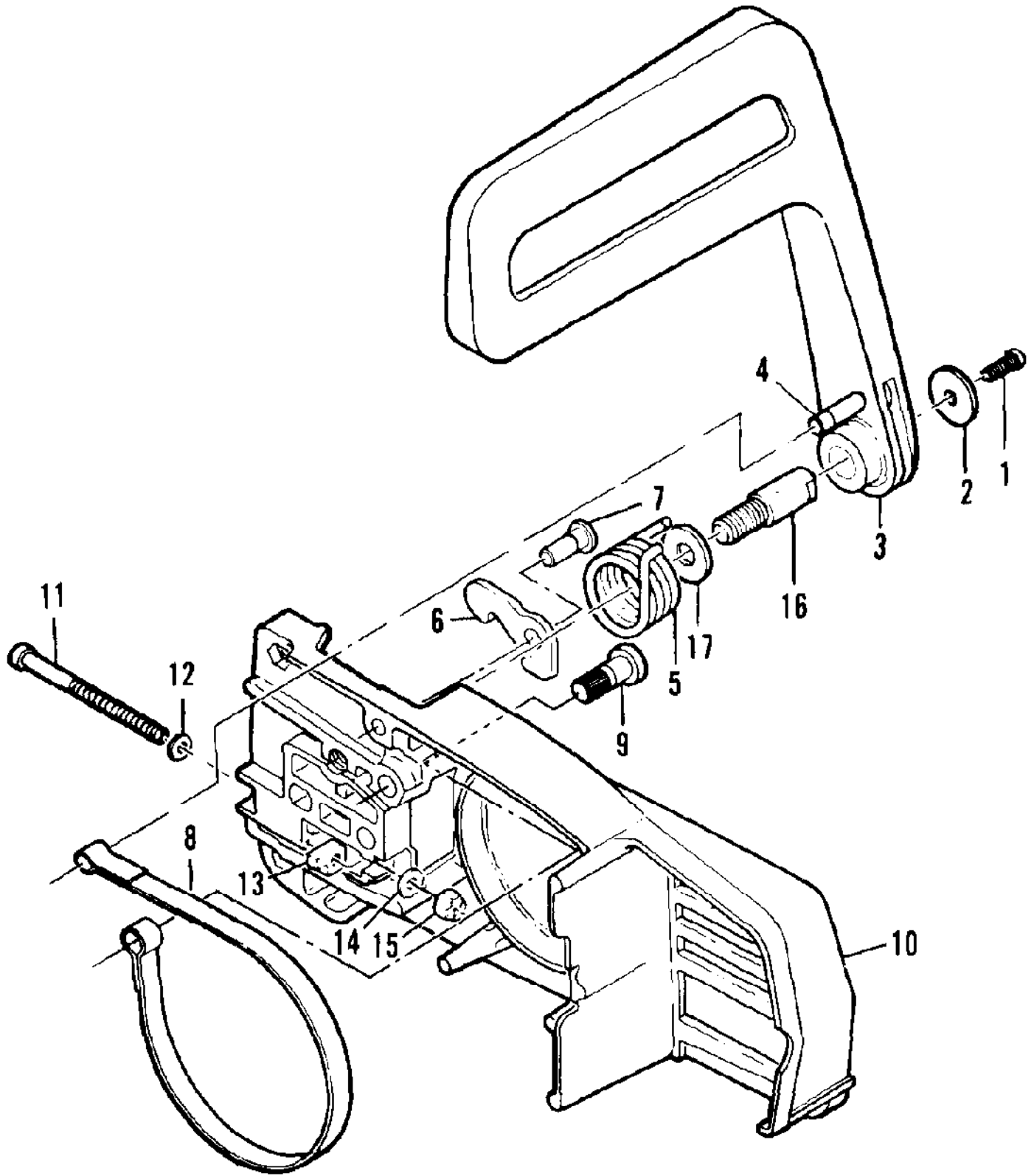
Ref #	Part Number	Qty	Description
	84453		Kit-Piston tool
	69191		Kit-Pressure test adaptor
	63097		Spark Plug (standard)
	63432		Spark Plug (cooler)
	62827		Wrench/Screwdriver
	63746		Scrench
	86419		Guide - Timing
	91967		Kit-Spike
	102388		Screw-Hx hd 10-24 x 5/8
	24236		Washer-Special
	101191		Nut-Hx 10-24



Ref #	Part Number	Qty	Description
	85916	1	Carburetor Asy - HS 111A
1	52933	4	Screw - Pump cover
2	66628	1	Cover - Pump
3	66629	1	Gasket - Cover
4	66630	1	Diaphragm - Fuel pump
5	48780	1	Screw - Clip retainer
6	66646	1	Clip - Throttle shaft
7	48780	1	Screw - Plate
8	51720	1	Plate - Throttle
9	83546	1	Shaft Asy - Throttle
10	67136	1	Spring - Throttle return
11	65856	1	Plate - Choke
12	83725	1	Shaft Asy - Choke
13	100071	1	Ball - Choke friction
14	52930	1	Spring - Choke friction
15	86169	1	Needle - High speed
16	52936	1	Spring - High Speed needle
17	86170	1	Needle - Idle
18	67133	1	Spring - Idle needle
19	51721	4	Screw - Diaphragm cover
20	83724	1	Cover - Diaphragm
21	66632	1	Diaphragm - Metering
22	66633	1	Gasket - Diaphragm
23	83479	1	Screw - Lever pin
24	66636	1	Pin - Lever
25	66638	1	Lever - Metering
26	66404	1	Spring - Lever
27	66637	1	Valve - Needle
28	66623	1	Screen - Fuel inlet
29	83729	1	Check Valve - Nozzle
30	66622	1	Plug - Welch

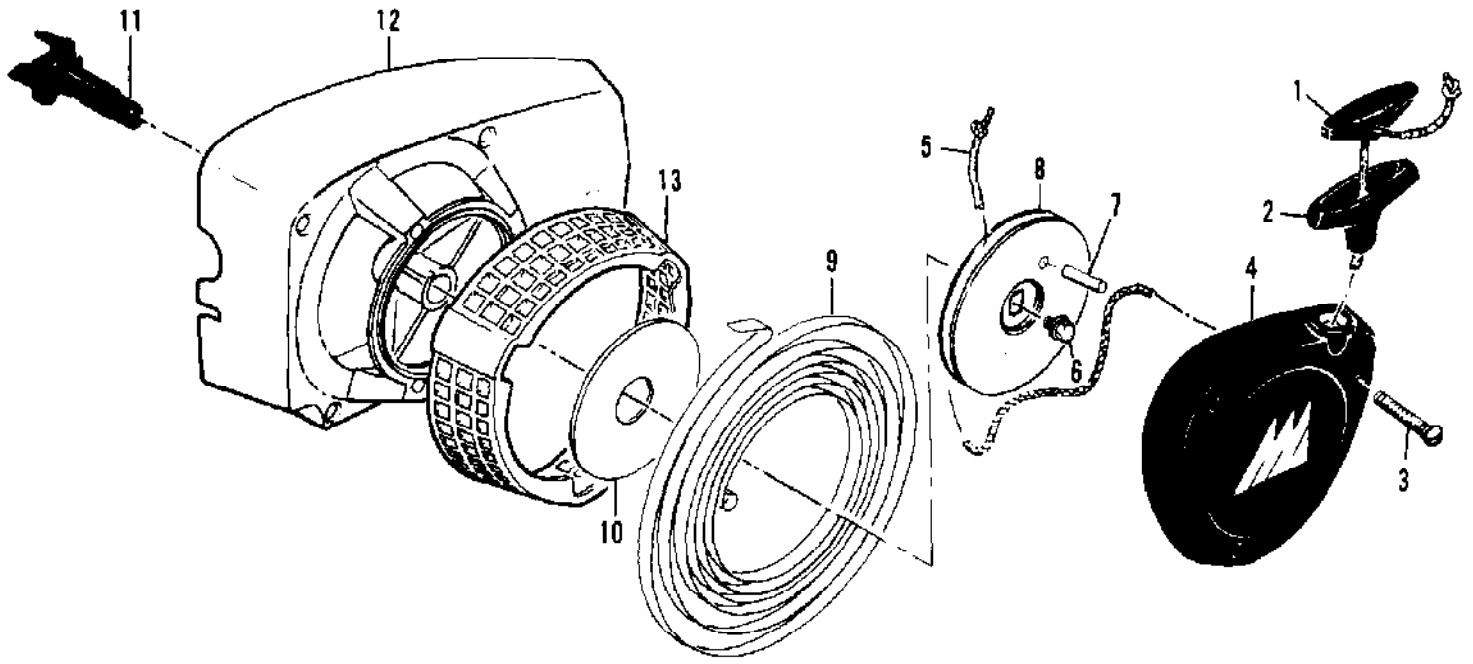


Ref #	Part Number	Qty	Description
	87821	1	Carburetor Asy - SDC 38A
1	67501	4	Screw - Pump cover
2	88731	1	Kit - Pump cover
3	88617	1	Gasket - Cover
4	67498	1	Diaphragm - Check valve
5	83114	1	Diaphragm - Fuel pump
6	47690	3	Screw - Plate
7	83762	1	Plate - Throttle
8	67489	1	Clip - Shaft
9	85980	1	Shaft Asy - Throttle
10	85981	1	Spring - Throttle return
11	67490	1	Plate - Choke
12	67488	1	Shaft Asy - Choke
13	100302	1	Ball - Choke friction
14	67504	1	Spring - Choke friction
15	85979	1	Needle - High Speed
16	85982	1	Needle - Idle
17	67502	2	Spring - Needle
18	70798	4	Screw - Diaphragm
19	83761	1	Cover - Diaphragm
20	67499	1	Diaphragm - Metering
21	67496	1	Gasket - Diaphragm
22	67500	1	Screw - Lever pin
23	67508	1	Pin - Lever
24	67509	1	Lever - Inlet
25	67503	1	Spring - Lever
26	67491	1	Valve - Needle
27	71690	1	Plug - 3/8
28	69506	1	Plug - 5/16
29	83758	1	Kit - Valve & Seat Asy
30	67507	1	Screen - Fuel
	67482		Gasket Kit
	85987		Repair Kit

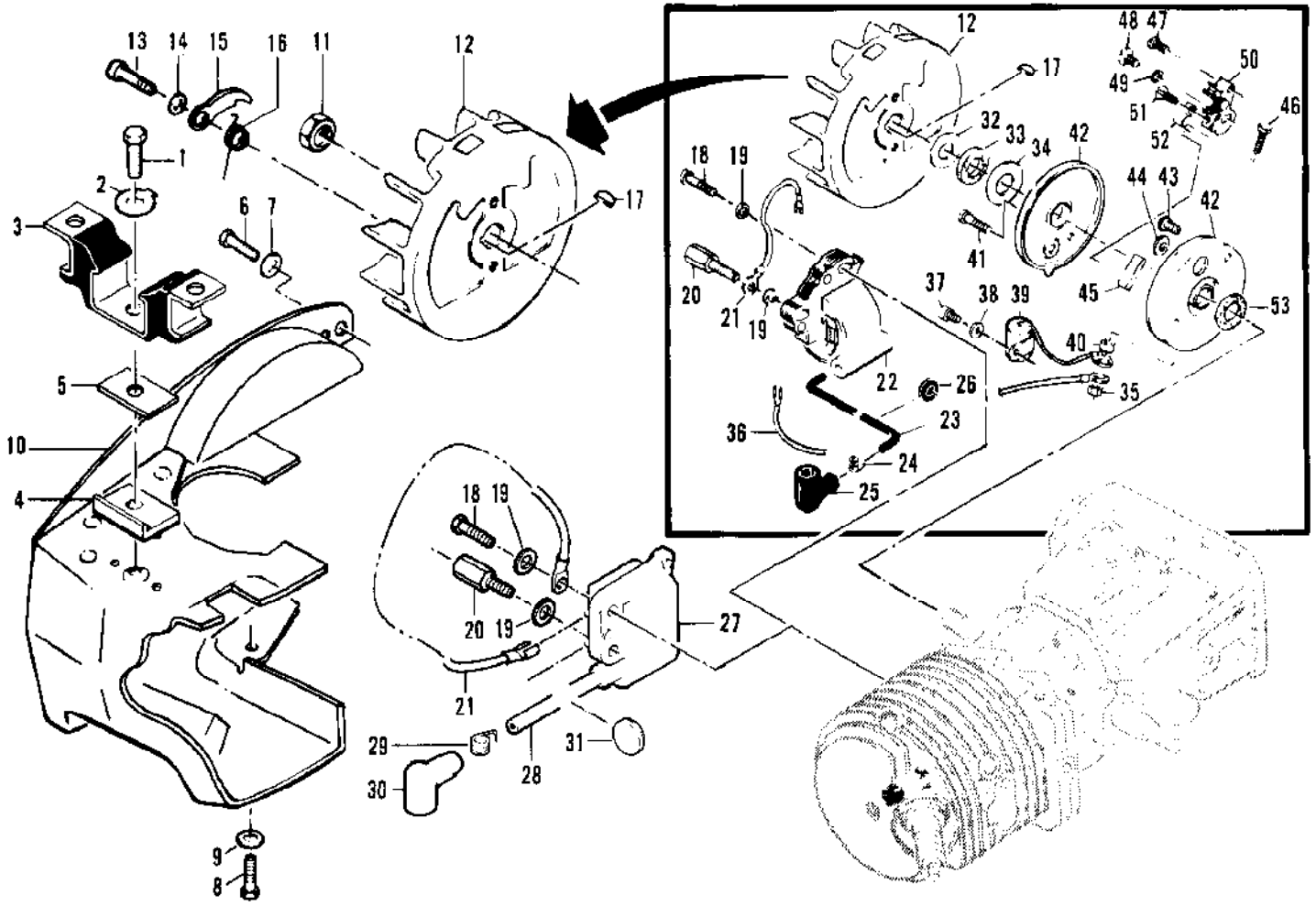


Ref #	Part Number	Qty	Description
	93049		CHAIN BRAKE Asy
	92988		CHAIN BRAKE Asy
1	102500	1	Screw-Pan hd 10-24 x 1/2
2	91273	1	Washer-Special
3	93076	1	Lever Asy
4	93077	1	Pin Asy-Roller
5	93085	1	Spring-Brake
6	93083	1	Latch
7	93669	1	Pivot- Latch
8	93081	1	Band-Brake
9	93082	1	Pin-Band Anchor
10	93050	1	Housing Asy-Brake
10	92987	1	Housing Asy-Brake
11	110527	1	Screw-Fil hd 10-24 x 2-3/4
12	110264	1	Washer #10
13	61705	1	Nut-Bar adjusting
14	100002	1	Washer #10
15	102067	1	Nut-Hx 10-24
16	91246	1	Pin-Lever pivot
17	91245	1	Washer - Thrust



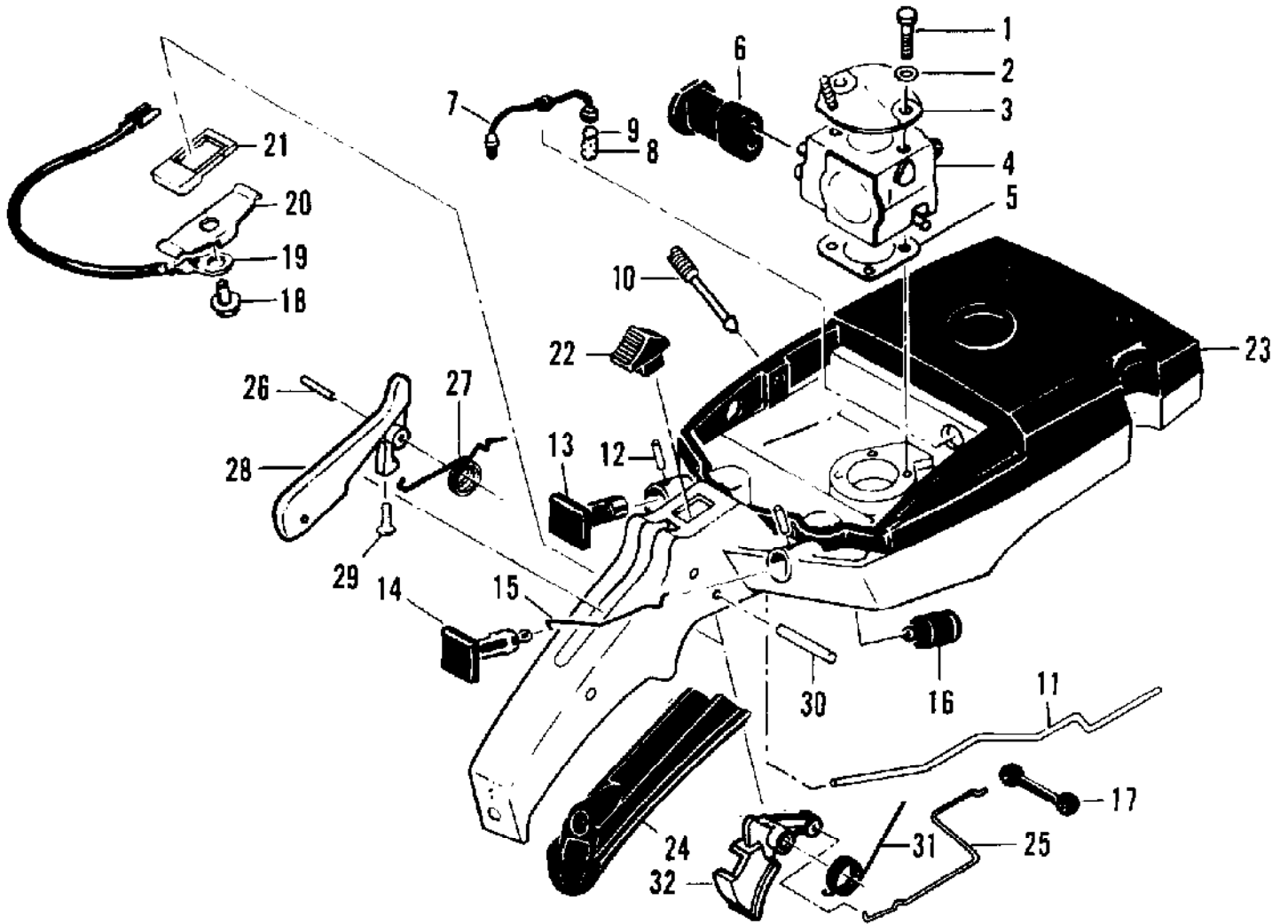


Ref #	Part Number	Qty	Description
	90921A	1	Fan Housing & Starter Asy
1	62191A	1	Insert-Starter
2	93137	1	Handle-Starter
3	110646	3	Screw-Oval hd 8-32 x 1-1/8
4	87672	1	Cover Asy-Starter
5	87670	1	Rope -Starter
6	110341	1	Screw-Hex hd 10-24 x 1/2
7	105841	1	Pin-Roll
8	87689	1	Drum-Starter
9	87680	1	Spring-Rewind
10	86053	1	Shield-Spring
11	83748	1	Shaft-Starter
12	87693	1	Kit-Fan housing
13	87674	1	Guard-Sawdust

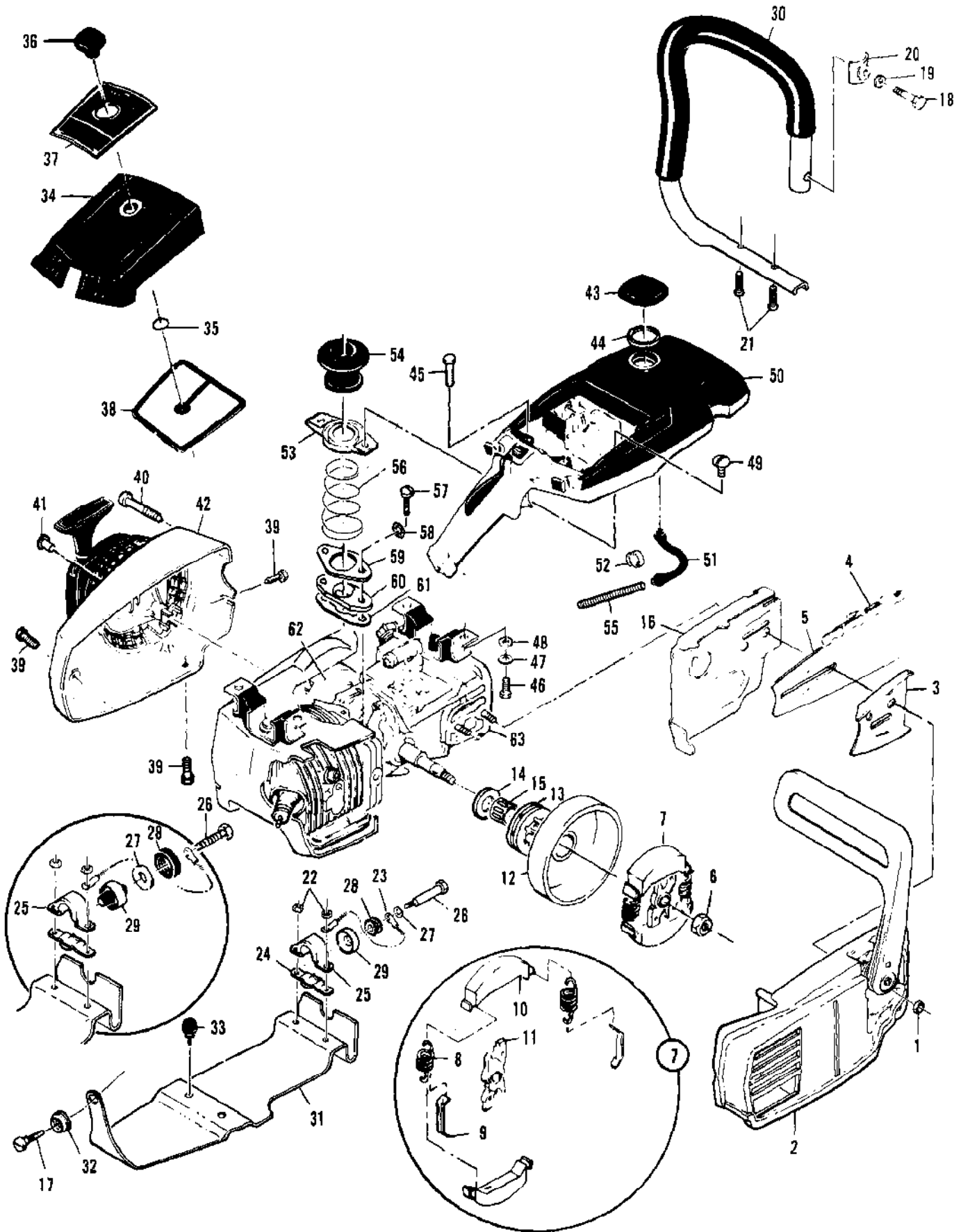


Ref #	Part Number	Qty	Description
1	83811	1	Screw-Special
2	69924	1	Plate-Lock
3	91578A	1	Mount-Rear
3	93925	1	Mount-Rear Part numbers which have changed since the previous printing of the IPL covering these saws.
4	83693	1	Kit-Rear mount adaptor
5	84619	1	Insulator-Rear mount
6	110776	1	Screw-Fil hd 8-32 x 3/8
7	100057	1	Washer-Lock #8
8	110566	1	Screw-Hx hd 12-24 x 5/8
9	110106	1	Washer-#12
10	85747A	1	Shroud Asy
11	110703	1	Nut-Hx 3/8-24
12	86068	1	Flywheel Asy
13	88804	2	Screw-Pawl pivot
14	83241	2	Washer-Special
15	67546	2	Pawl-Starter
16	67545	2	Spring-Pawl
17	100106	1	Key-Woodruff
18	110127	1	Screw-Hx hd 10-24 x 7/8 (SEMS)
19	100002	2	Washer-#10
20	83512	1	Stud-Special
21	85798	1	Wire Asy-Ground
22	87246A	1	Coil & Lamination Asy
23	50120	1	Wire Asy-Spark plug
24	55061	1	Connector
25	85758	1	Boot
26	100268	1	Grommet
27	92785	1	Electronic Ignition Asy Part numbers which have changed since the previous printing of the IPL covering these saws.
28	92796	1	Wire Asy-Spark plug Part numbers which have changed since the previous printing of the IPL covering these saws.
29	102556	1	Connector Part numbers which have changed since the previous printing of the IPL covering these saws.
30	85758	1	Boot Part numbers which have changed since the previous printing of the IPL covering these saws.
31	110995	1	Grommet Part numbers which have changed since the previous printing of the IPL covering these saws.
32	67057	1	Washer-Thrust
33	67056	1	Seal-Breaker box cover
34	67054	1	Washer-Thrust
35	100298	1	Nut-Hx 6-32
36	85796	1	Wire Asy-Primary
37	110338	1	Screw-Fil hd 8-32 x 9/16
38	100080	1	Washer-#8
39	85358	1	Condenser
40	62365	1	Spacer-Breaker box
41	110584	1	Screw-Pan hd 8-32 x 3/4
42	91852	1	Kit-Breaker box & cover
43	110489	1	Screw-Pan hd 6-32 x 7/16

Ref #	Part Number	Qty	Description
44	91838	1	Washer
45	54184	1	Wiper-Cam
46	110346	1	Screw-Hx hd 6-32 x 3/4
47	110811	1	Screw-Pan hd 8-32 x 3/8
48	110969	1	Screw-Hx hd 8-32 x 1/2
49	105976	1	Washer-#8
50	88808	1	Breaker Asy
51	110706	1	Screw-Pan hd 6-32 x 7/16 s/t
52	83126	1	Strap-Conduction
53	67051	1	Seal-Breaker box



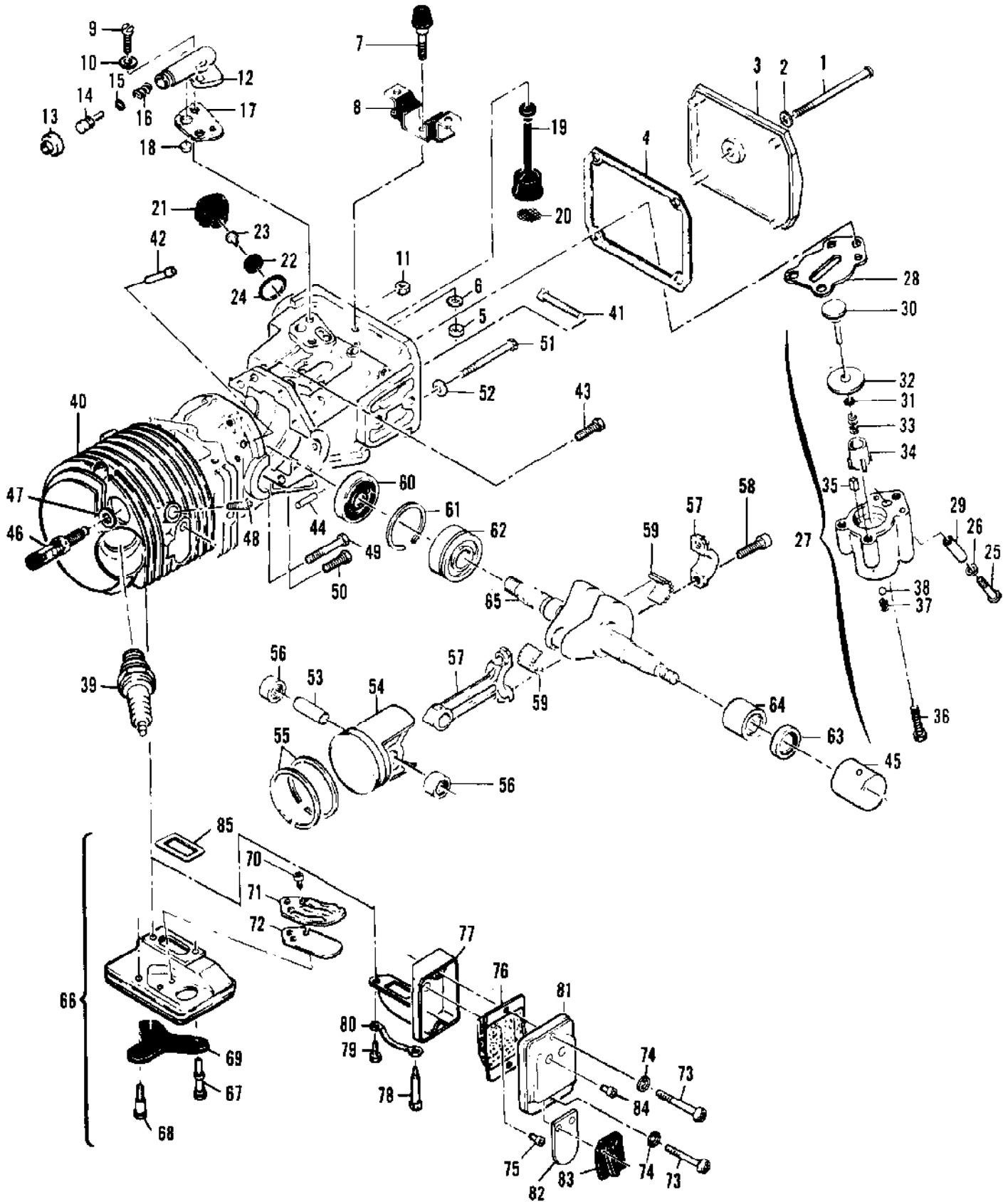
Ref #	Part Number	Qty	Description
1	110894	2	Screw-Hx hd 10-24 x 2-1/8
2	110964	2	Washer
3	69952	1	Bracket-Air cleaner
4			Carburetor Asy See "Carburetor Assembly" illustration and parts list.
5	86189	1	Gasket-Carburetor
6	69629	1	Boot-Carburetor controls
6	85901	1	Boot-Carburetor controls
7	64848	1	Hose Assembly-Fuel
8	63932	1	Filter - Fuel
9	100440	1	Washer
10	86273	1	Screw-Idle speed
11	92903	1	Rod-Oiler
12	105673	2	Pin-Roll 3/32 x 9/16
13	63044	1	Button-Oiler
14	69630	1	Button-Choke
15	69631	1	Rod-Choke
16	69597	2	Boot-Control rod
17	69043	1	Snubber-Rod
18	110706	1	Screw-Fil hd 8-18 x 1/2 (SEMS)
19	83661	1	Wire Asy-Stop switch
20	62451	1	Contact-Switch
21	62950A	1	Base-Switch
22	68846	1	Button-Switch
23	94025	1	Tank/Control Asy Part numbers which have changed since the previous printing of the IPL covering these saws.
24	89320	1	Insert-Handle grip
25	92155	1	Rod-Throttle
26	105654	1	Pin-Roll 1/8 x 7/8
27	92154	1	Spring-Trigger release
28	94275	1	Release Asy-Trigger Part numbers which have changed since the previous printing of the IPL covering these saws.
29	111012	1	Screw-Pan hd 4-40 x 5/16 Part numbers which have changed since the previous printing of the IPL covering these saws.
30	110378	1	Pin-Roll 3/16 x 15/16
31	92152	1	Spring-Trigger
32	92151A	1	Trigger-Throttle Part numbers which have changed since the previous printing of the IPL covering these saws.
	87821		Carburetor Asy
	85916		Carburetor Asy





Ref #	Part Number	Qty	Description
1	110961	2	Nut-Hx hd 5/16-24
2			CHAIN BRAKE Asy See "Chain Brake Assembly" illustration and parts list.
3	64325	1	Plate-Bar protector
4		1	Chain Asy
5		1	Bar Asy
6	86113	1	Nut-Hx 3/8-24 L.H.
7	87675	1	Clutch Asy
8	83223	2	Spring-Clutch
9	64583	2	Retainer-Spring
10	67233	2	Shoe-Clutch
11	89438	1	Rotor-Clutch
12	86946	1	Drum-Clutch
12	86942	1	Drum-Clutch .375P
13	86951	1	Sprocket-7T .375P
13	86344	1	Sprocket-77 .375P
14	86958	1	Washer-Shim
14	86958	1	Washer-Shim
15	110971	1	Bearing-Sprocket
16	84978A	1	Guard-Sawdust
17	93037	1	Screw-Frame brace
18	102130	1	Screw-Hx 1/4-20 x 1-1/2
19	100153	1	Lockwasher-1/4
20	63484	1	Clamp-Frame
21	104395	2	Screw-Pan 10-24 x 5/8
22	101191	2	Nut-Hx Lock 10-24
23	83828A	1	Wire Asy-Ground Part numbers which have changed since the previous printing of the IPL covering these saws.
24	92701	1	Clamp-Bottom
25	92700	1	Clamp-Top
26	93096	1	Screw-Shoulder
27	94114	1	Washer-1/4 Part numbers which have changed since the previous printing of the IPL covering these saws.
28	92703	1	Hub-Mount
29	92704	1	Mount
25	93932	1	Clamp- Top Part numbers which have changed since the previous printing of the IPL covering these saws.
26	110679	1	Screw-Hx hd 1/4-20 x 2 Part numbers which have changed since the previous printing of the IPL covering these saws.
27	110845	1	Washer-Plain Part numbers which have changed since the previous printing of the IPL covering these saws.
28	84661	1	Grommet Part numbers which have changed since the previous printing of the IPL covering these saws.
29	85898	1	Mount Part numbers which have changed since the previous printing of the IPL covering these saws.
30	92698	1	Frame & Grip Asy
31	92696	1	Brace-Frame
32	93032	1	Grommet-Frame brace

Ref #	Part Number	Qty	Description
33	89403	2	Bumper-Lower
34	85850A	1	Cover Asy-Air
35	110565	1	Ring-Retaining
36	68529	1	Knob-Cover
37	92705	1	Nameplate
38	85387	1	Filter Asy-Air
39	110741	3	Screw-Pan hd 10-24 x 1/2
40	87871	Z	Screw-Special
41	110667	1	Rivet
42			Fan Housing & Starter Asy See "Fan Housing & Starter Assembly" illustration and parts list.
43	89322	1	Cap-Fuel
44	69767	1	Gasket-Fuel cap
45	110746	2	Screw-Hx hd 10-24 x 1/2
46	102861	2	Screw-Hx hd 1/4-20 x 5/8
47	100153	2	Lockwasher-1/4
48	100005	2	Washer-1/4
49	110807	2	Screw-Pan hd 8-32 x 5/16
50			Fuel Tank Asy See "Fuel Tank Assembly" illustration and parts list.
51	69598	1	Line-Pulse
52	87826	1	Clamp-Pulse line
53	86175	1	Clamp Asy-Boot
54	88834A	1	Boot-Port
55	67944	1	Spring-Hose stiff
56	86190	1	Spring-Ground
57	104398	2	Screw-Pan hd 10-24 x 1 Part numbers which have changed since the previous printing of the IPL covering these saws.
58	101194	Z	Lockwasher-#10
59	69759A	1	Clamp-Boot
60	87842	1	Insulator-Inlet
61	88740	1	Gasket-Insulator
62			Flywheel & Ignition system See "Flywheel & Ignition system" illustration and parts list.
63			Powerhead & Oiler Asy See "Powerhead & Oiler Assembly" illustration and parts list.



Ref #	Part Number	Qty	Description
1	110291	1	Screw-Pan hd 10-24 x 2-5/8
2	110921	1	Washer-Sealing
3	86304	1	Cover-Oil tank
4	86306	1	Gasket-Cover
5	101143	1	Nut-Hx 1/4-20
6	102523	1	Washer-1/4
7	69832	1	Bumper-Front
8	91582A	1	Mount-Front
8	93926	1	Mount-Front
9	110338	2	Screw-Fil hd 8-32 x 9/16
10	110613	2	Washer-#8
11	100955	1	Nut-Hx 8-32
12	84156	1	Housing-Pump
13	62262	1	Cap-Housing
14	92902	1	Plunger-Pump
15	105614	1	"O" Ring
16	66687	1	Spring-Pump
17	91669	1	Gasket-Pump
18	91668	1	Valve-Pump
19	91672	1	Hose Asy-Oil
20	51506	1	Screen-Hose
21	87270	1	Cap Asy-Oil
22	87269	1	Retainer
23	86402	1	Valve-Check
24	101148	1	"O" Ring
25	110865	1	Screw-Hx hd 10-24 x 7/8
26	100003	1	Washer-Special
27	89115B	1	Pump Asy-Pulse
28	92818	1	Seal-Pulse Pump
29	91774	1	Sleeve-Oil Pump
30	60260A	1	Piston Pump
31	105603	1	"O" Ring
32	86182	1	Ring-Piston
33	60259	1	Spring-Piston
34	62227	1	Sleeve-Adjustment
35	91259	1	Pad-Oil pump
36	110386	1	Screw-Hx hd 8-32 x 1
37	92844	1	Spring-Outlet valve
38	102809	1	Ball-Valve
39	63432	1	Spark plug
39	93017	1	Spark plug
39	93018	1	Spark plug
40	92693A	1	Kit-Cyl/C'case/Bolt Asy
41	62065	2	Bolt-Bar mounting
42	69600	1	Nipple-Pulse line
43	110288	2	Screw-Hx hd 8-32 x 3/4
44	110581	1	Pin-Dowel
45	87152	1	Insert-Bearing
46	94272	1	Valve-DSP
47	85505	1	Washer
48	110681	1	Screw-Skt hd 10-24 x 1/4
49	110618	1	Screw-Hx hd 8-32 x 1-3/8
50	110288	1	Screw-Hx hd 8-32 x 3/4
51	62105	4	Screw Asy-Sealing
52	62842	4	Washer-Sealing

Ref #	Part Number	Qty	Description
53	87710	1	Pin-Piston
54	89783A	1	Piston Assembly
55	92517	1	Ring Set-Piston
56	110590	2	Bearing
57	85352	1	Connecting Rod Asy
58	61627A	2	Screw-Special
59	63225	1	Roller (Set of 20)
60	61618	1	Seal-Oil
61	63464	1	Ring-Snap
62	63429B	1	Bearing-Ball
63	110260	1	Seal-Oil
64	104357	1	Bearing-Needle
65	87699	1	Crankshaft
66	68863	1	Kit-Muffler
67	67838	2	Screw-Muffler long
68	67837	1	Screw-Muffler short
69	83993	1	Lockplate
70	110563	2	Screw-Skt hd 8-32 x 1/4
71	84780	1	Stop-Reed
72	84779	1	Reed
	93992	1	Kit-Muffler
73	101563	2	Screw-Skt hd 10-24 x 1-1/4
74	110264	2	Washer
75	110928	1	Screw-Hx hd 10-24 x 1/2
76	85152	1	Baffle
77	83105	1	Body-Muffler
78	68187	1	Screw-Special
79	110529	1	Screw-Hx hd 10-24 x 1/2
80	67922	1	Lockplate
81	83966	1	Cover Asy-Muffler
81	87683	1	Cover/Valve Asy-Spark Arrester
82	87682	1	Valve-Reed
83	87286	1	Stop-Reed
84	110472	2	Screw Skt hd 8-32 x 5/16
85			UNKNOWN