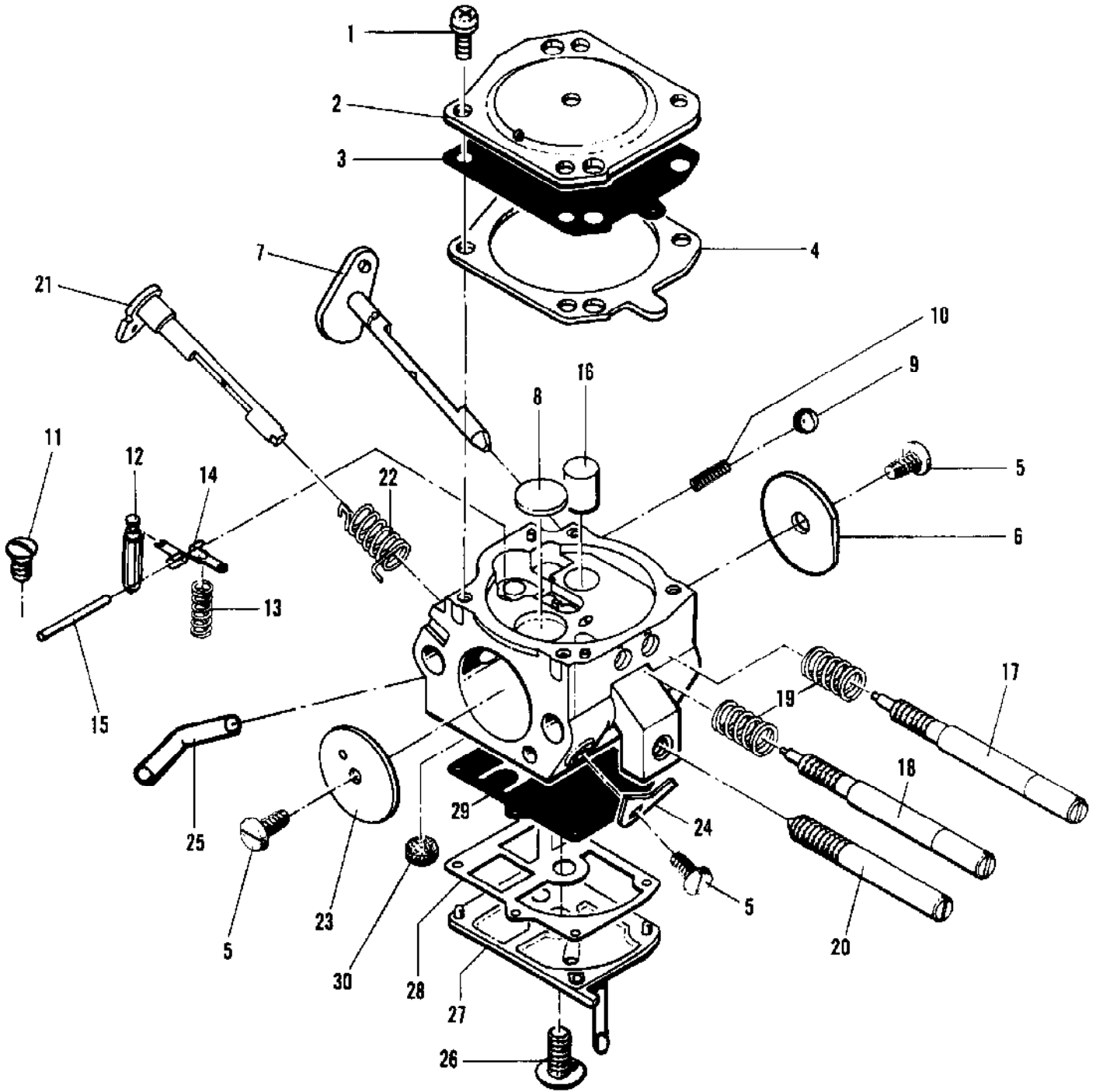


Ref #	Part Number	Qty	Description
1	222217	1	Cover Asy - Air Box
2	222206	1	Knob
3		1	Cover - Air Box Not available separately.
4		1	Plate Not available separately.
5		3	Nut - Press Not available separately.
6	219466	1	Cover Asy - Air Box
7	219462	1	Cover - Air Box
8	219463	1	Cover - Top
9	219464	1	Knob
10	219465	1	Valve - Heater
11	110706	3	Screw

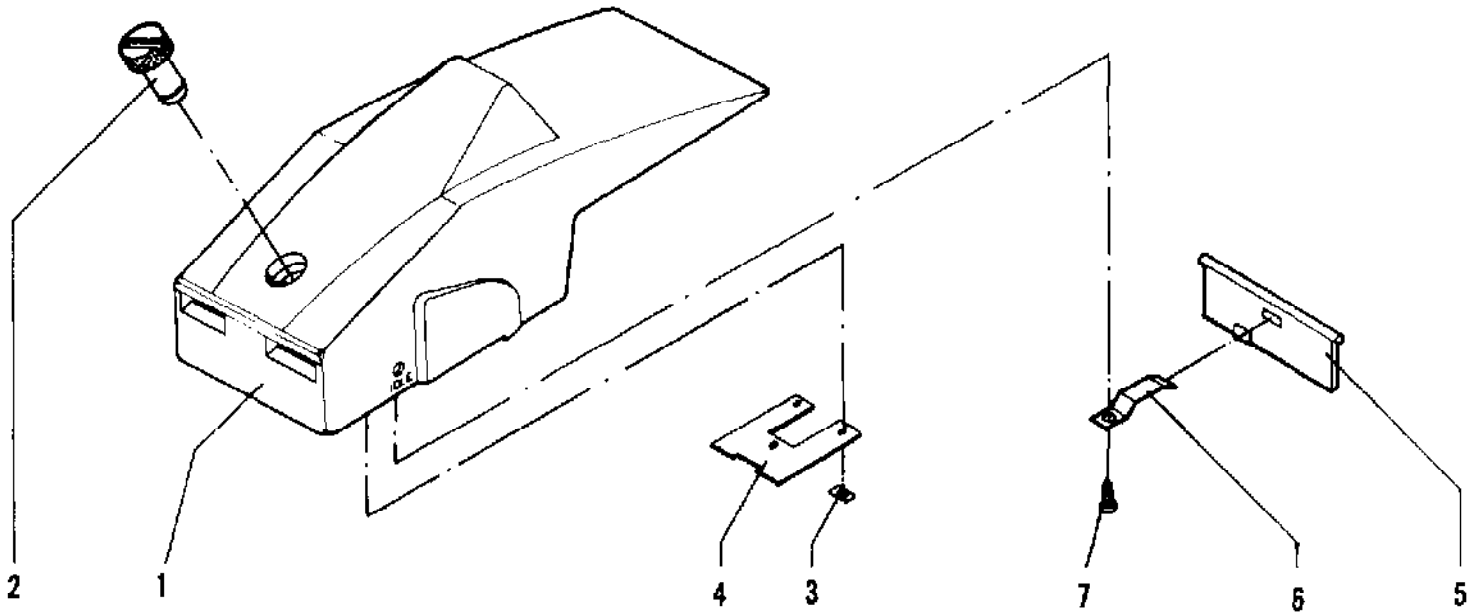
No
Diagram
Available

Parts List
Only

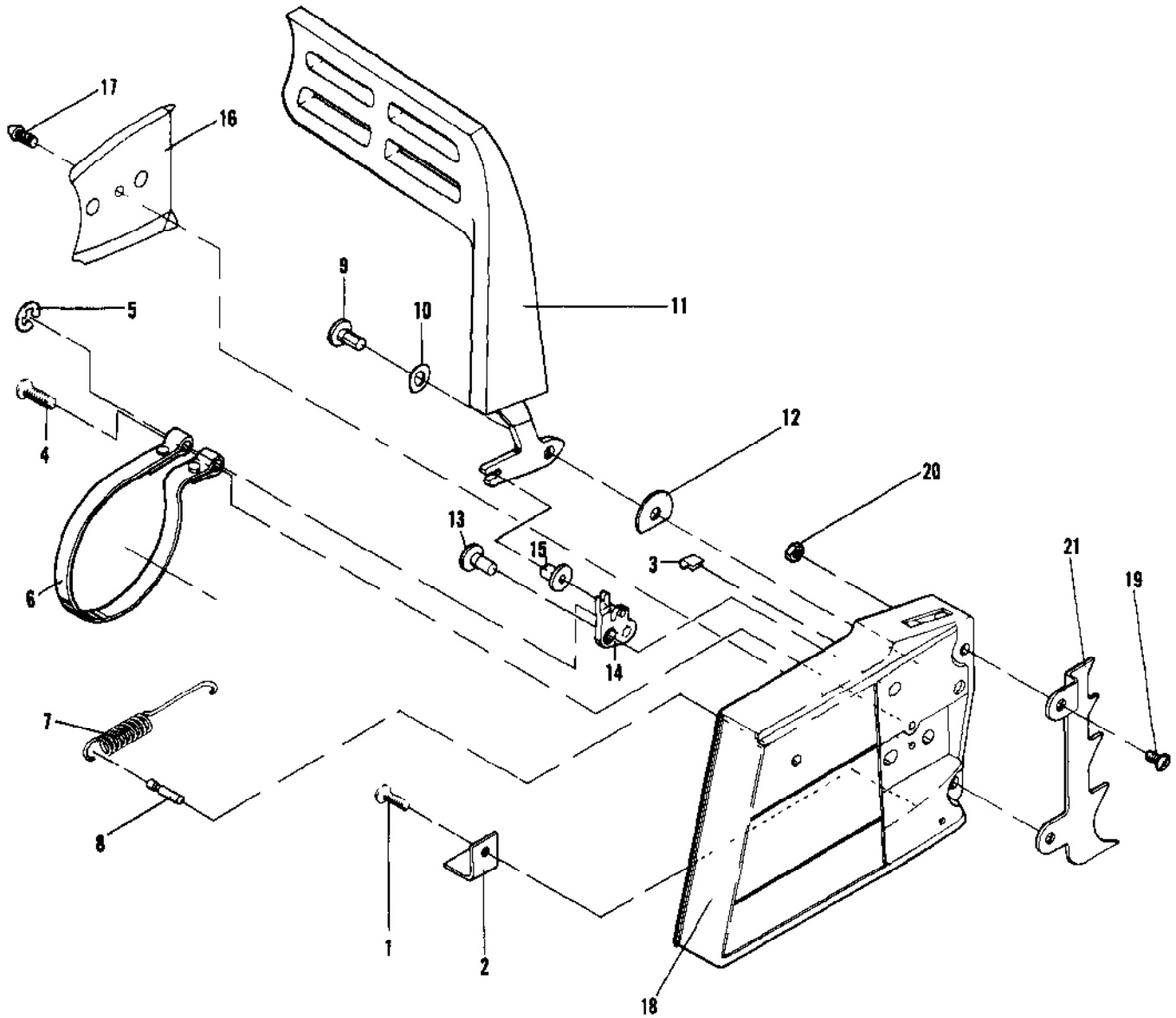
Ref #	Part Number	Qty	Description
	223195-00		Bar - 16" SPROCKET TIP .325 Pitch Drive Sprocket
	218924-00		Bar - 20" SPROCKET TIP .325 Pitch Drive Sprocket
	94074-05		Bar - 16" SPROCKET TIP .375 Pitch Drive Sprocket
	93778-05		Bar - 20" SPROCKET TIP .375 Pitch Drive Sprocket
	86846-05		Bar - 24" SPROCKET TIP .375 Pitch Drive Sprocket
	218551-12		Chain - SPG320GLX 68CL .325 Pitch Drive Sprocket
	218552-12		Chain - SPG320GLX 79CL .325 Pitch Drive Sprocket
	218839-12		Chain - PMR370GLX 60CL .375 Pitch Drive Sprocket
	218069-12		Chain - PMR370GLX 70CL .375 Pitch Drive Sprocket
	218070-12		Chain - PMR370GLX 81CL .375 Pitch Drive Sprocket
	219131		File Plate .325 Pitch Drive Sprocket
	214217		File .325 Pitch Drive Sprocket
	219131		File Plate .375 Pitch Drive Sprocket
	214217		File .375 Pitch Drive Sprocket



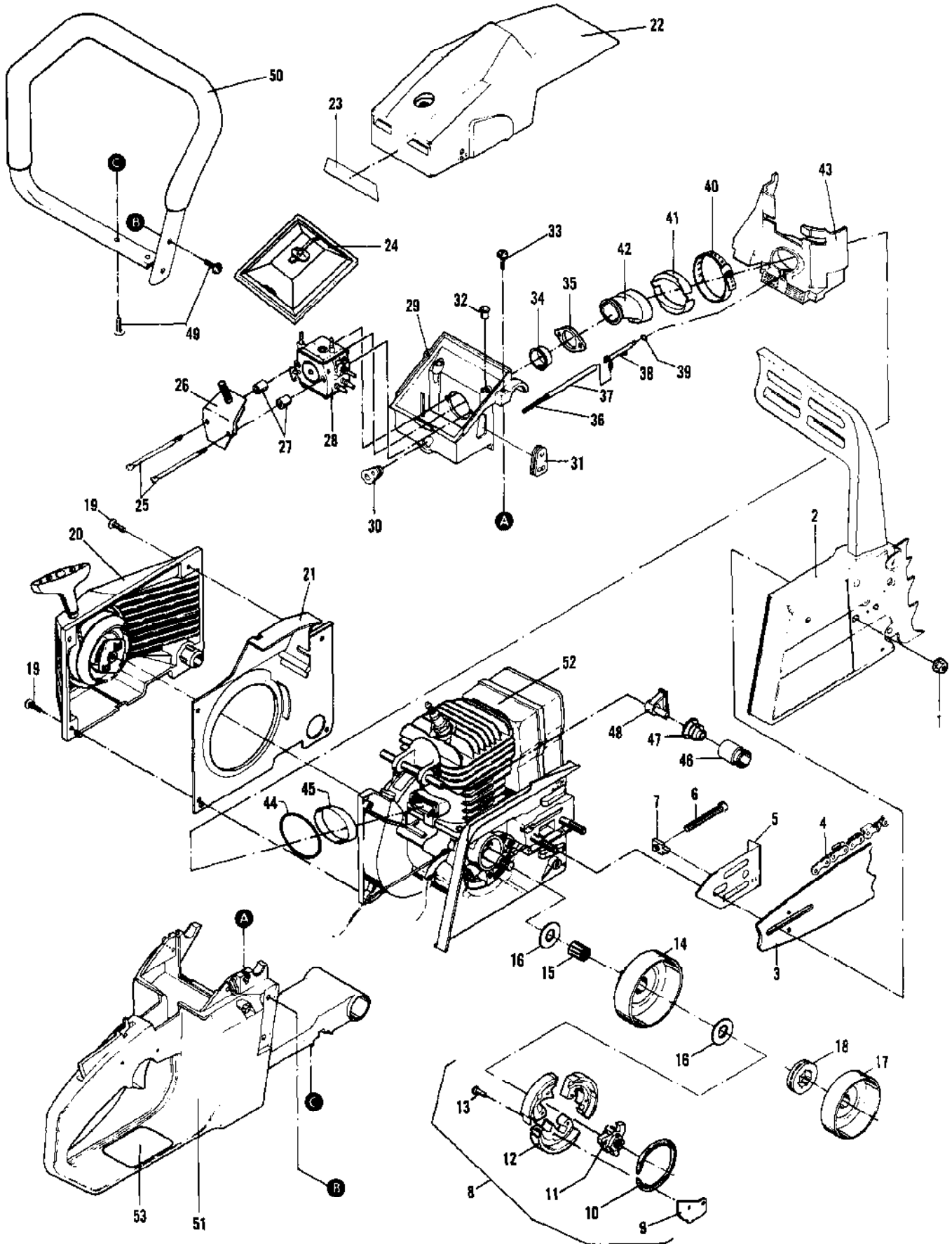
Ref #	Part Number	Qty	Description
	219449-04	1	Walbro HDA 77B
1		4	Screw - Metering Cover Not available separately.
2		1	Cover - Metering Diaphragm Not available separately.
3		1	Diaphragm Asy - Metering Not available separately.
4		1	Gasket - Diaphragm Not available separately.
5		3	Screw Not available separately.
6		1	Shutter - Choke Not available separately.
7		1	Shaft/Lever Asy Choke Not available separately.
8		1	Plug - Welch Not available separately.
9		1	Ball - Choke Friction Not available separately.
10		1	Spring - Choke Friction Not available separately.
11		1	Screw - Lever Pin Not available separately.
12		1	Valve - Inlet Needle Not available separately.
13		1	Spring - Metering Lever Not available separately.
14		1	Lever - Metering Not available separately.
15		1	Pin - Metering Lever Not available separately.
16		1	Nozzle Asy/Check Valve Not available separately.
17		1	Needle - High Speed Not available separately.
18		1	Needle - Low Speed Not available separately.
19		2	Spring - Needles Not available separately.
20		1	Screw - Idle Adjustment Not available separately.
21		1	Shaft/Lever Asy Not available separately.
22		1	Spring - Throttle Return Not available separately.
23		1	Shutter-Throttle Not available separately.
24		1	Stop - Throttle Not available separately.
25		1	Fitting - Elbow Not available separately.
26		1	Screw - Pump Cover Not available separately.
27		1	Cover - Fuel Pump Not available separately.
28		1	Gasket - Fuel Pump Not available separately.
29		1	Diaphragm - Fuel Pump Not available separately.
30		1	Screen - Fuel Inlet Not available separately.
	223078		Major Repair Kit
	219075		Gasket/Diaphragm Kit



Ref #	Part Number	Qty	Description
	219443	1	Kit - Carburetor Heater
1	219442	1	Cover - Air Box-Heater
2	222206	1	Knob
3		3	Nut - Press Not available separately.
4		1	Plate Not available separately.
5	219460	1	Valve - Heater
6	219451	1	Spring
7	110706	1	Screw

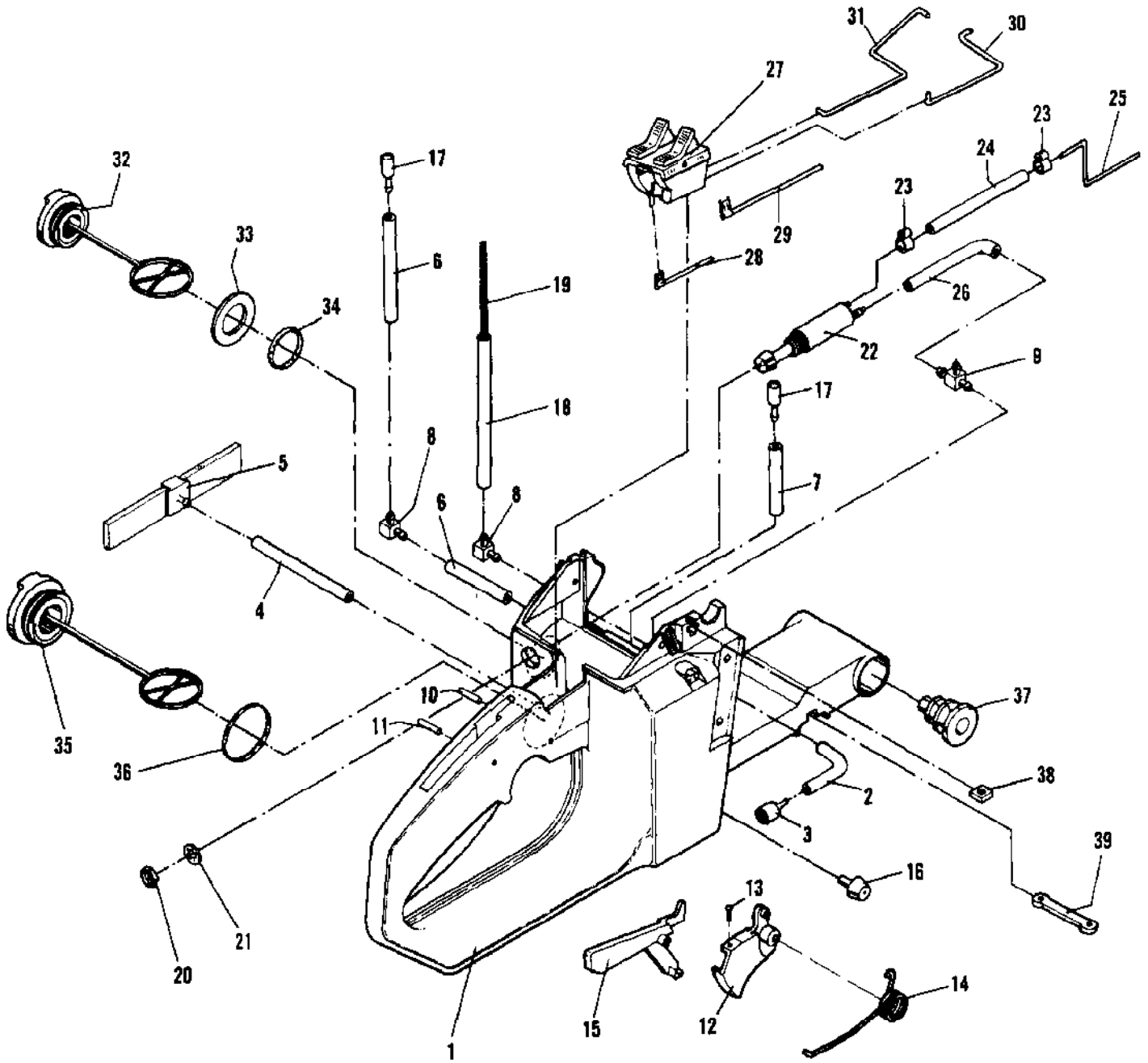


Ref #	Part Number	Qty	Description
	222250	1	Chain Brake Assembly
1	219195	1	Screw - 10-24 x .50 (45-50 in. lb. torque)
2	218641	1	Stop - Chain
3	110737	1	Clip - "U"
4	218361	1	Screw - 1/4-20 x .75 (85-90 in. lb. torque)
5	218079	1	Clip - "E"
6	217472	1	Band - Brake
7	217440	1	Spring - Chain Brake
8	217449	1	Pin - Spring Hook
9	217450	1	Pivot - Lever
10	218679	1	Washer - Spring
11	219983	1	Flag - Brake
12	218674	1	Washer
13	217448	1	Pivot - Latch
14	217454	1	Latch - Chain Brake
15	218956	1	Slider - Latch
16	218832	1	Plate - Bar
17	218719	1	Screw - Drive
18		1	Housing - Brake Not available separately.
19	217935	2	Screw - 10-24 x .50 (45-50 in. lb. torque)
20	218315	2	Nut - 10-24
21	218103	1	Spike

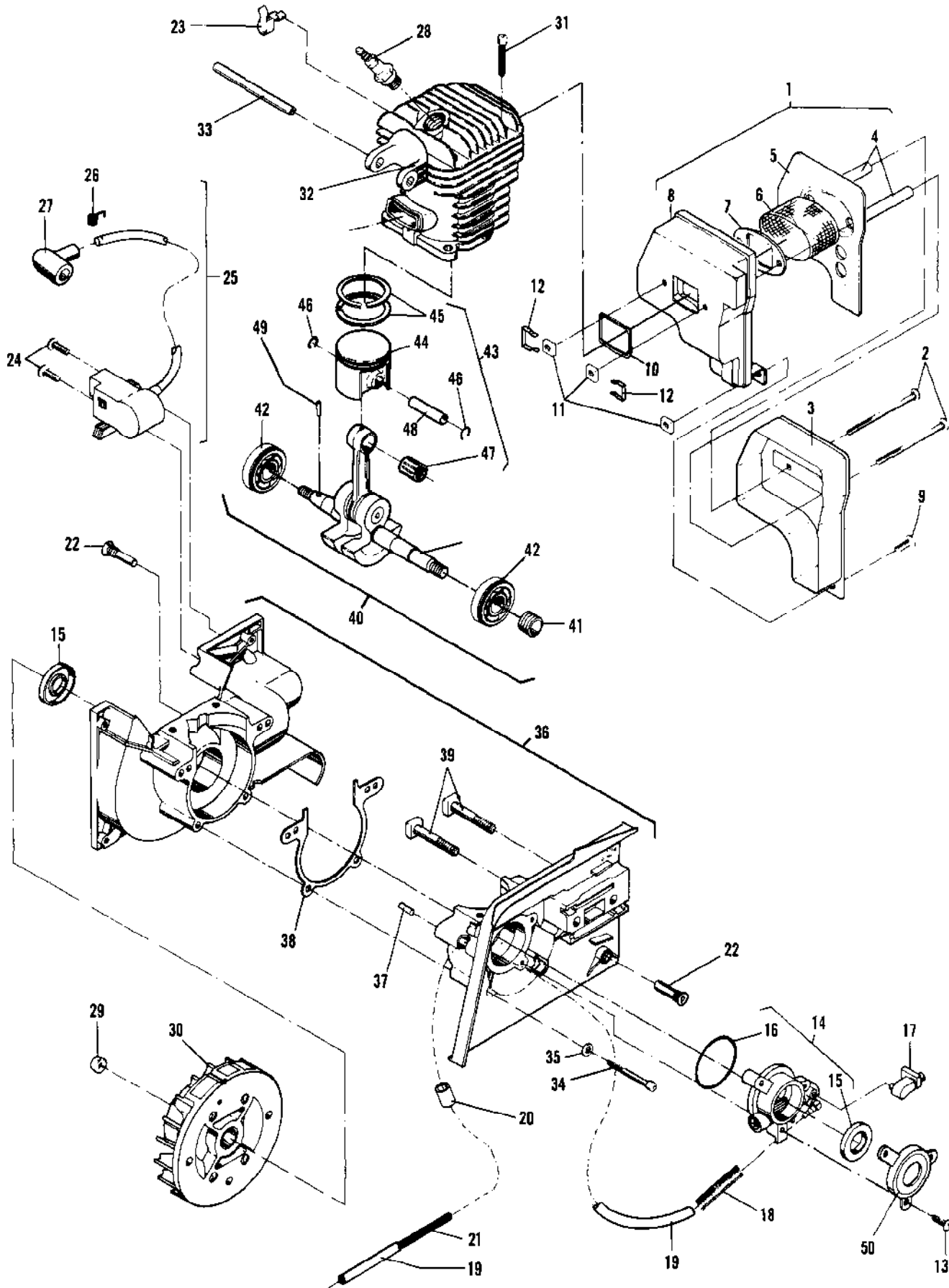


Ref #	Part Number	Qty	Description
1	218042	2	Nut - Flange M8
2		1	Brake Asy - Chain See "Chain Brake Assembly" illustration and parts list.
3		1	Bar See "Bar And Chain Information" illustration and parts list.
4		1	Chain See "Bar And Chain Information" illustration and parts list.
5	217594	1	Plate - Bar
6	217640	1	Screw - Bar Adjustment
7	217479	1	Nut - Bar Adjustment
8	222997	1	Clutch Asy (3 Shoe)
9		3	Plate - Shoe Not available separately.
10		1	Spring Asy - Clutch Not available separately.
11		1	Rotor - Clutch Not available separately.
12		1	Shoe - clutch Not available separately.
13		6	Rivet Not available separately.
14	218084	1	Drum/Spkt Asy (.325)
	223559	1	Drum/Spkt Asy (.375)
15	110971	1	Bearing - Needle
16	86958	2	Washer - Shim
17	223192	1	Drum - Clutch
18	223193	1	Rim - Floating (.325)
	86951	1	Rim - Floating (.375)
19	217936	4	Screw - 10-24 x .75 (50 in. lb. torque)
20		1	Starter Assembly See "Starter Assembly" illustration and parts list.
21	219962	1	Baffle - Fan
22		1	Cover Assemblies - Air See "Air Cleaner Cover Assemblies" illustration and parts list.
23	223039	1	Decal - Warning
	223040	1	Decal - Warning
24	223185	1	Filter - Air
25	219231	2	Screw - 10-24 x 2.19 (45 in. lb. torque)
26	219103	1	Shield - Spitback
27	218757	2	Spacer - Shield
28		1	Carburetor See "Carburetor Assembly" illustration and parts list.
29	218723	1	Box - Air
30	218761	1	Grommet - Throttle/Choke
31	91995-01	1	Grommet - Carburetor Needles
32	218922	2	Bushing - Hose
33	217937	2	Screw - 10-24 x 1 (20 in. lb. torque)
34	218809	1	Eyelet
35	219871	1	Flange - Carburetor Mount
36	93998	1	Spring - Oil Hose
37	219971	1	Hose - Fuel
38	219447	1	Barb - Pulse
39	219448	1	Ring - "O"
40	219458	1	Clamp
41	219439	1	Spacer
42	219457	1	Boot - Intake
43	219455	1	Shroud - Cylinder

Ref #	Part Number	Qty	Description
44	219459	1	Ring - "O"
45	219456	1	Sleeve
46	218371	2	Carrier - Rear Mount
47	218801	2	Mount - Rear
48	218362	2	Retainer - Rear Mount
49	217936	4	Screw - 10-24 x .75 (50 in. lb. torque)
50	222242	1	Frame - "C"
51		1	Main Frame Assembly See "Main Frame" illustration and parts list.
52		1	Powerhead Assembly See "Powerhead" illustration and parts list.
53	219058	1	Label - Safety



Ref #	Part Number	Qty	Description
	223222	1	Mainframe Assembly
1	222442	1	Mainframe - Weldment
2	218535	1	Hose - Oil
3	92465	1	Pickup - Oil
4	218535	1	Hose - Fuel Tank
5	215714	1	Pickup - Fuel Asy
6	219059	2	Hose - Vent (Fuel)
7	219967	1	Hose - Vent (Oil)
8	218896	2	Barb - Hose
9	219914	1	Barb - "T"
10	218491	1	Pin - Trigger
11	218492	1	Pin - Trigger Release
12	93538-01	1	Trigger Assembly
13	111013	1	Screw - 5-40 x .50
14	93771	1	Spring - Trigger
15	218836	1	Release - Trigger
16	218122	2	Bumper - Cut Control
17	218260	2	Vent - Fuel/Oil
18	223755	1	Hose - Fuel
19	93998	1	Spring-Oil Hose
20	219917	1	Nut - 15/32
21	219918	1	Washer - Lock
22	222783	1	Oiler - Manual
23	223556	2	Clamp
24	222222	1	Hose - Oil Outlet
25	219913	1	Tube - Oil Outlet
26	222223	1	Hose - Oil Inlet
27	223069	1	Control Asy
28	218348	1	Wire - Ground
29	218349	1	Wire - Switch
30	222248	1	Rod - Choke
31	218724	1	Rod - Throttle
32	219999	1	Cap Asy - Oil (Non-Vented)
33	219943	1	Gasket
34	235511	1	Ring - "O"
35	236790	1	Cap Asy - Fuel
36		1	Ring - "O" Not available separately.
37	218124	2	Mount - Front
38	218005	2	Nut - 10-24
39	218117	1	Plate - Nut



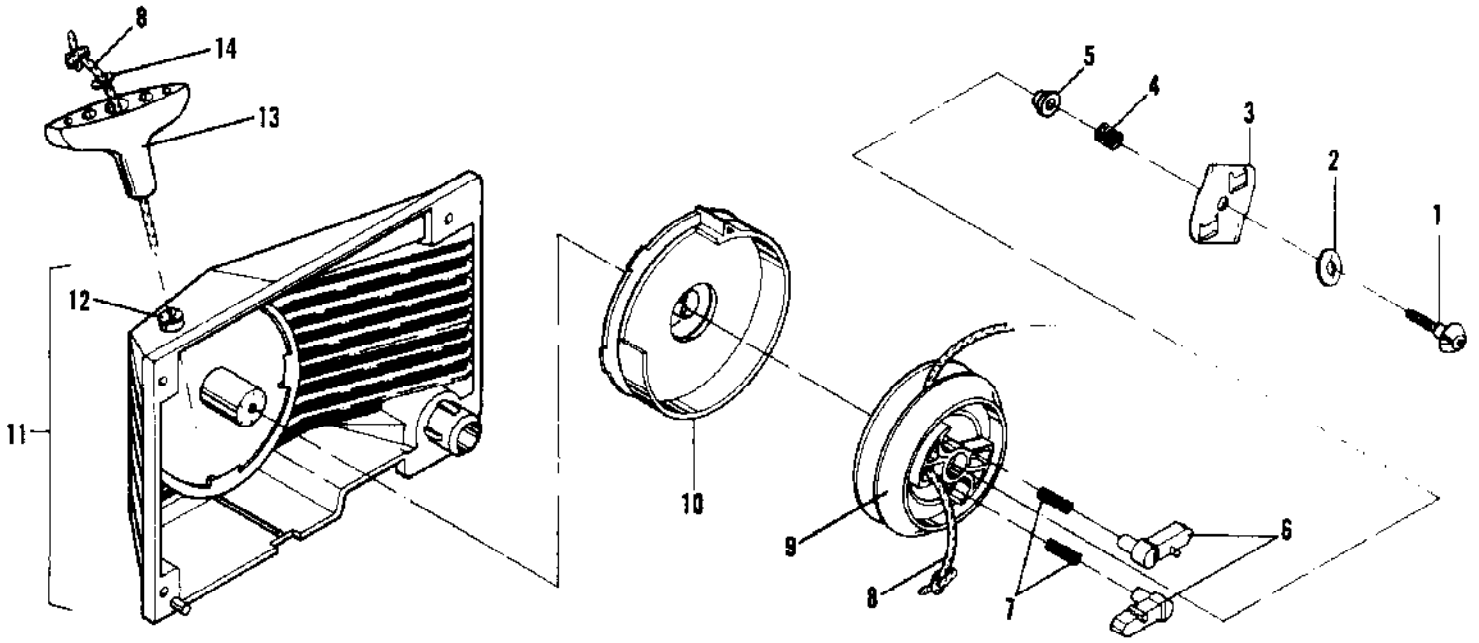
Ref #	Part Number	Qty	Description
1	223262	1	Muffler Assembly
2	217942	2	Screw - 10-24 x 2.62 (70 in. lb. torque)
3	223006	1	Muffler Body - Outer
4	218030	2	Tube - Bolt
5	218725	1	Baffle
6	217629	1	Screen - Spark Arrester
7	217627	1	Plate - Reinforcement
8		1	Body - Inner Not available separately.
9	217935	1	Screw - 10-24 x .50 (30 in. lb. torque)
10	215947	1	Gasket - Exhaust
11	218005	3	Nut - 10-24
12	223076	2	Retainer - Nut
13	217936	3	Screw - 10-24 x .75 (30 in. lb. torque)
14	222419	1	Kit - Oil Pump
15	215892	2	Seal - Oil
16	217867	1	Ring - "O"
17	219972	1	Connector - Oil Pump
18	222225	1	Guard - Oil Hose
19	222224	1	Hose - Oil Pump
20	219051	1	Sleeve - Oil Hose
21	218589	1	Spring - Oil Hose
22	217781	2	Screw - Mount (50 in. lb. torque)
23	218865	1	Clip - Wire
24	217936	2	Screw - 10-24 x .75 (35-45 in. lb. torque)
25	223068	1	Ignition Assembly
26	102556	1	Connector - Spark Plug
27	95266	1	Boot - Spark Plug
28	93017	1	Plug - Spark (108-135 in. lb. torque)
29	218042	2	Nut - Flywheel (150-168 in. lb. torque)
30	218635	1	Flywheel Assembly
31	217943	4	Screw - 1/4-20 x 1.0 (90 in. lb. torque)
32	223227	1	Cylinder Assembly
33	218149	1	Pin - Roll
32	223226	1	Cylinder Assembly
33	218149	1	Pin - Roll
34	217721	4	Screw - 10-24 x 1.625 (70 in. lb. torque)
35	216591	4	Washer - Flat
36	223587	1	Crankcase Assembly
37	215834	2	Dowel - Pin
38	222595	1	Gasket - Crankcase
39	92459	2	Bolt - Bar
40	218897	1	C' Shaft/C - Rod/Worm Gear
41	217273	1	Worm Gear
42	215946	2	Sealing - Ball
40	223580	1	C' Shaft/C - Rod/Worm Gear
41	217273	1	Worm Gear
42	215946	2	Bearing - Ball
43	218952	1	Piston Assembly
44	218751	1	Piston Not available separately.
45	215825	2	Ring - Piston
46	215876	2	Ring - Snap
47	215837	1	Bearing
48	215836	1	Pin - Piston
43	223191	1	Piston Assembly
44		1	Piston

Ref #	Part Number	Qty	Description
45	219863	2	Ring - Piston
46	215876	2	Ring - Snap
47	215837	1	Bearing
48	215836	1	Pin - Piston
49	222683	1	Roll - Pin
50	223821	1	Protector, Oil Seal

No
Diagram
Available

Parts List
Only

Ref #	Part Number	Qty	Description
	222785		Drive T-25 (Cylinder)
	236020		Puller - Piston Pin
	85229		Kit - Pressure Test
	215432		Gauge/Bulb - Pressure Test
	214221		Scrench - 13mm x 5/8



Ref #	Part Number	Qty	Description
	222424	1	Starter Assembly
1	218056	1	Screw - Pawl Plate
2	218055	1	Washer - Pawl Plate
3	217893	1	Plate - Pawl
4	218054	1	Spring - Pawl Plate
5	218053	1	Bushing - Pulley
6	217890	2	Pawl
7	218052	2	Spring - Pawl
8	218051	1	Rope - Starter (46"-48")
9	217889	1	Pulley - Starter
10	217891	1	Spring/Housing Assembly
11	223190	1	Housing/Guide Assembly
12	218050	1	Guide - Rope
13	87851	1	Handle - Starter
14	105490	1	Washer