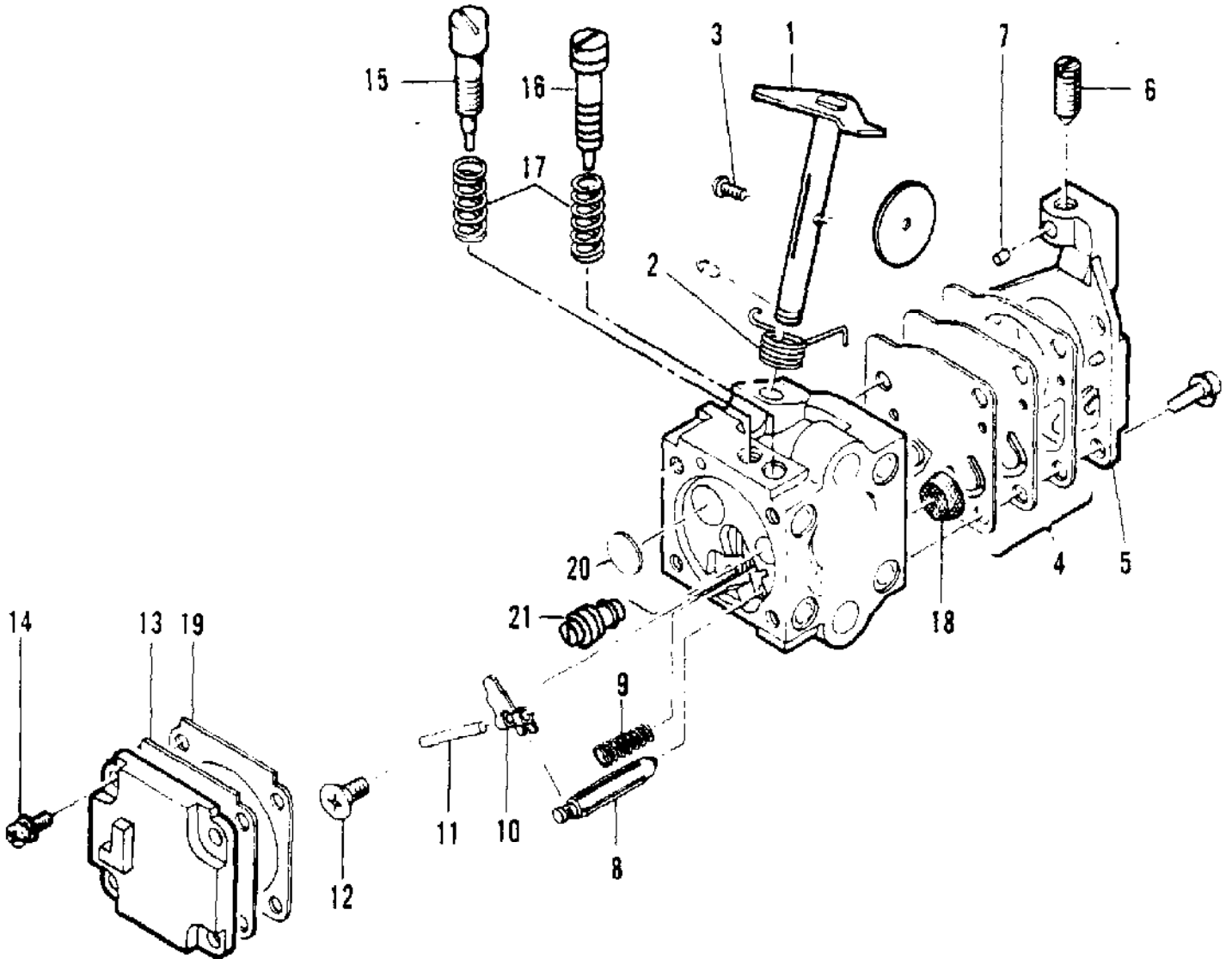


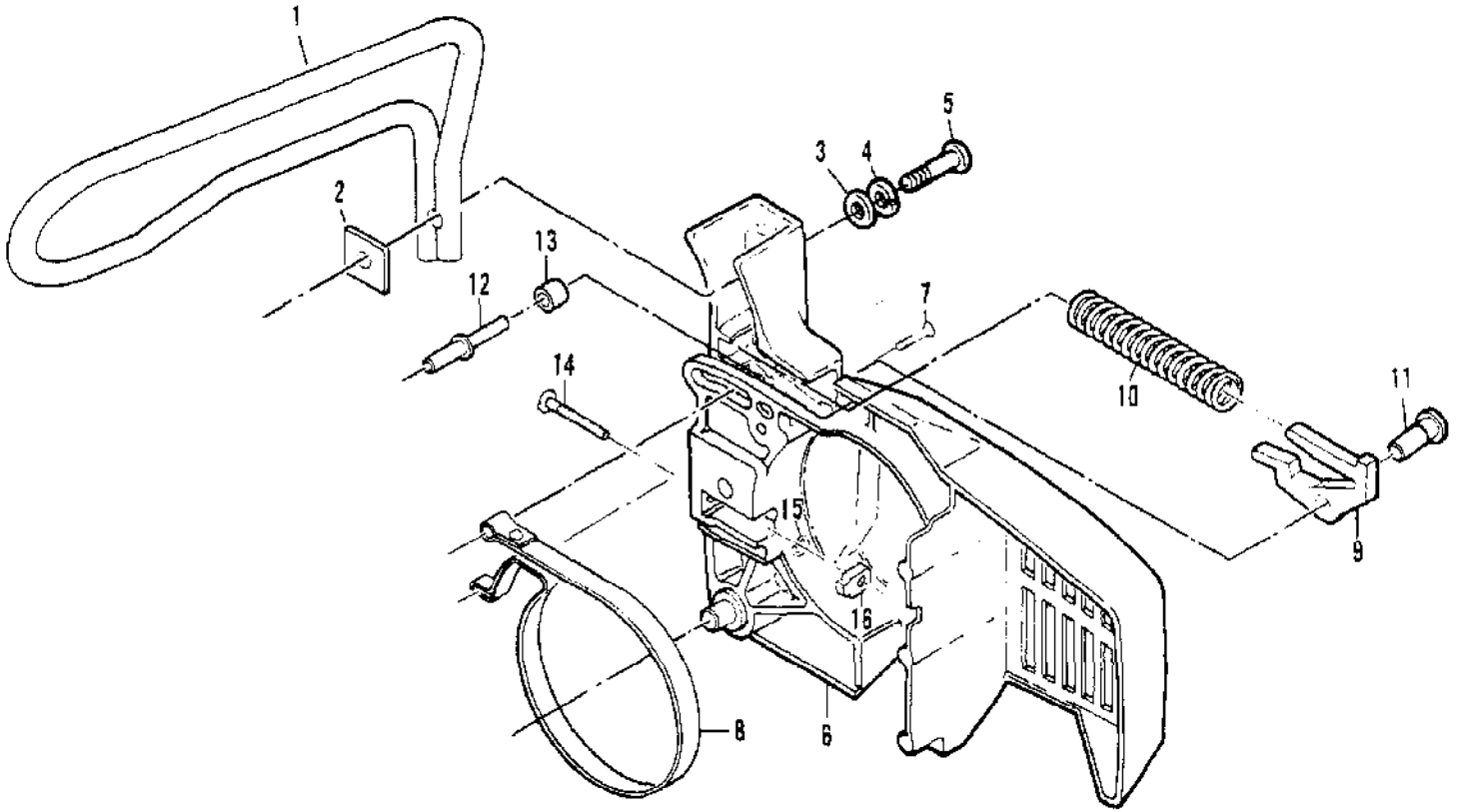
No
Diagram
Available

Parts List
Only

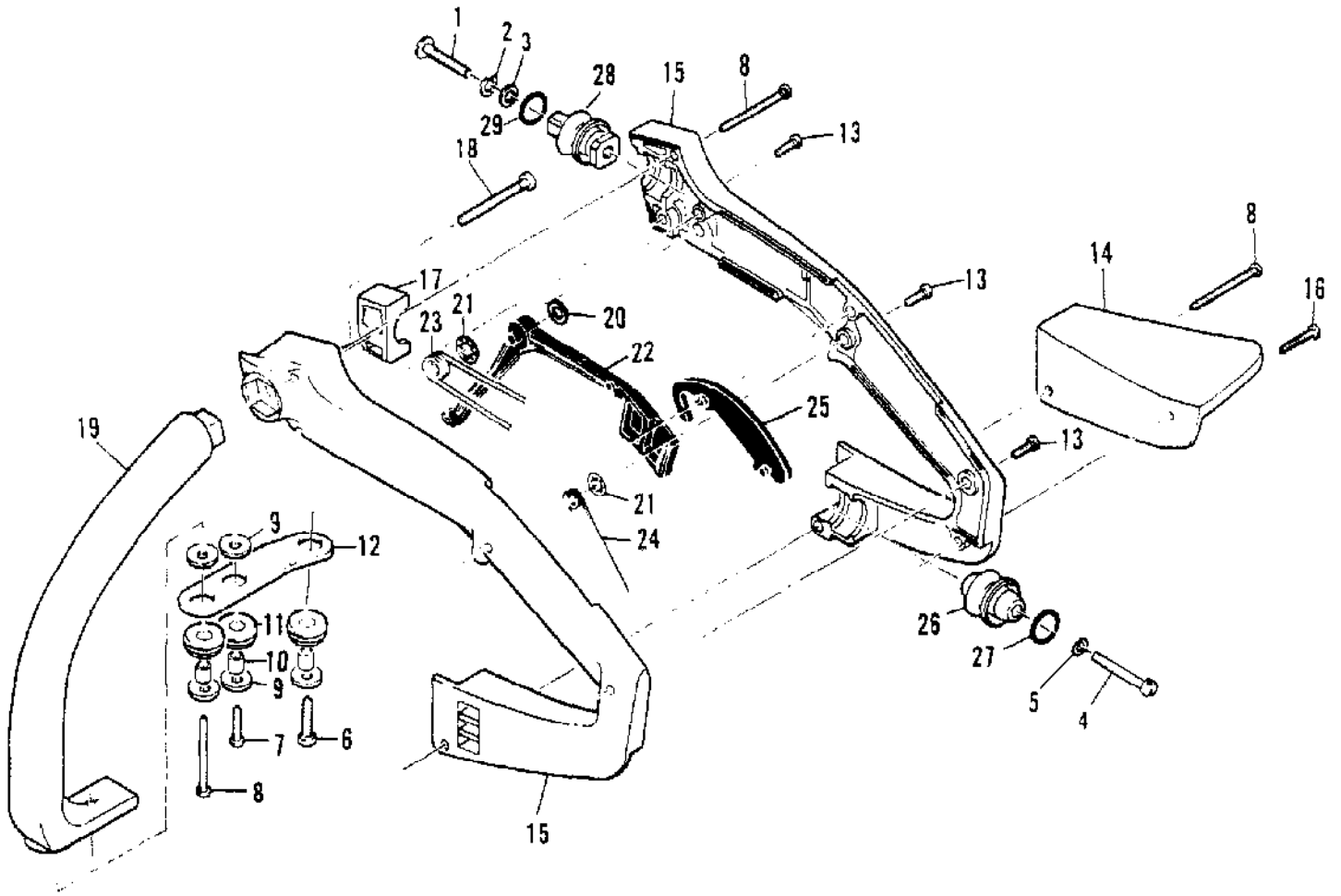
| Ref # | Part Number | Qty | Description |
|-------|-------------|-----|---|
| | 95169 | | Kit - Spark Arrester |
| | 91485 | | Wrench - Socket |
| | 85687 | | Wrench - Screwdriver |
| | 88755 | | Scrench |
| | 93090 | | Guide - Timing |
| | 90256 | | Kit - Tune-up |
| | 93285 | | Case - Carrying, 16" |
| | 92896 | | Bar Guard 16" |
| | 214215 | | Guide - File |
| | 93900 | | Kit - Pressure Test |
| | 215432 | | Tool - Pressure Test |
| | 501334 | | Tester - Ignition |
| | 214194 | | Lubri - Gun |
| | 85702 | | Lubricant - Custom, 6 oz. can |
| | 85703 | | Lubricant - Custom, 6 oz. cans 1-6 pack |
| | 67537 | | Loctite |
| | 69794 | | Locquic |
| | 110083 | | R.T.V. Sealant |
| | 214211 | | Kit - Tool Maintenance |
| | 216063 | | Key - Socket 5/32 |
| | 216147 | | Key - Socket 1/8 |
| | 216148 | | Key - Socket 3/16 |
| | 216058 | | Key - Socket 9/64 |



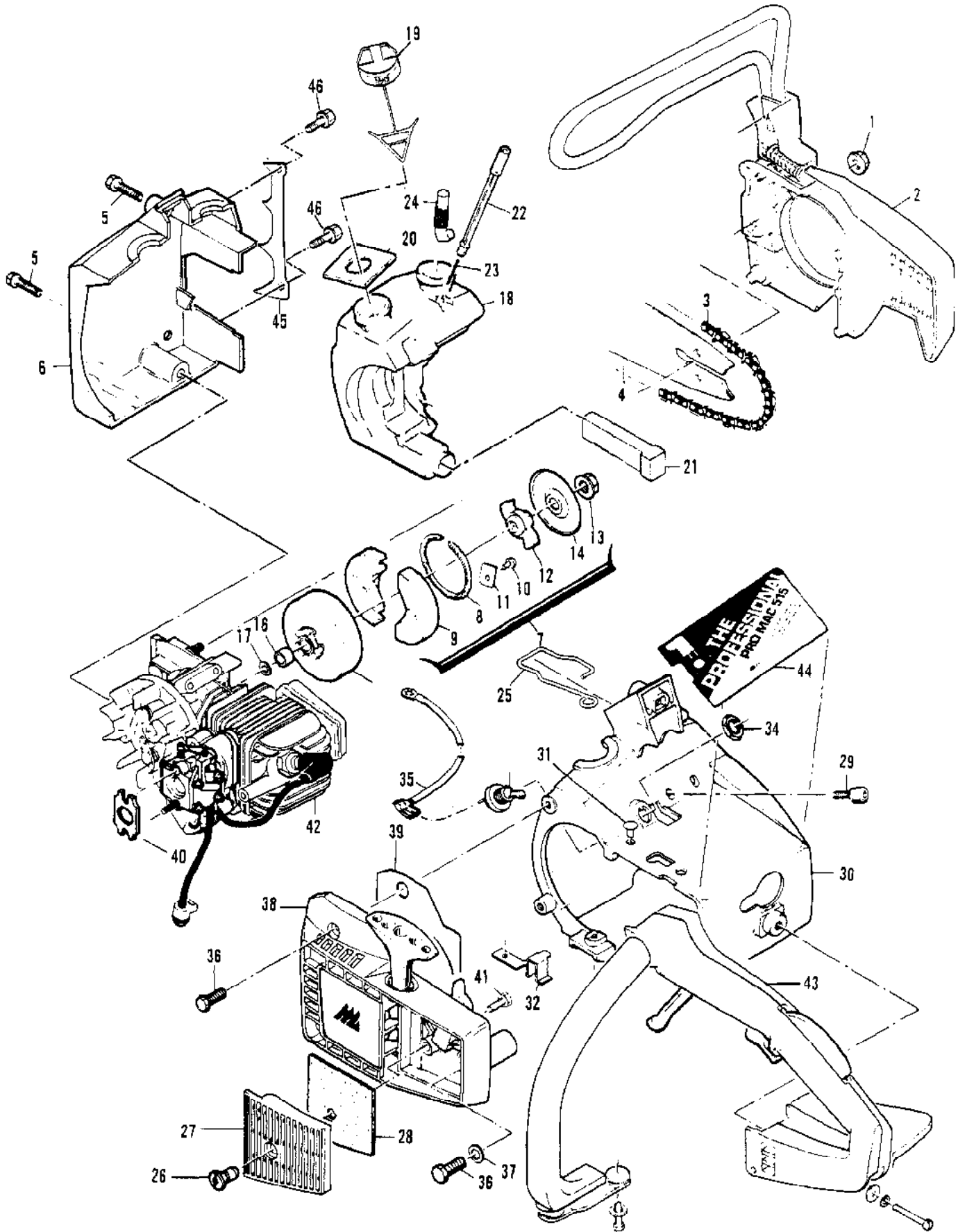
| Ref # | Part Number | Qty | Description |
|-------|-------------|-----|--|
| | 93766 | 1 | Carburetor Asy (Zama) |
| 1 | | 1 | Shaft Asy - Throttle Not available separately. |
| 2 | | 1 | Spring - Throttle return Not available separately. |
| 3 | | 1 | Screw - Plate (m3) Not available separately. |
| 4 | 91824 | 1 | Kit - Diaphragm & Gaskets |
| 5 | | 1 | Cover Asy - Pump Not available separately. |
| 6 | | 1 | Screw - Idle speed Not available separately. |
| 7 | | 1 | Insert - Friction Not available separately. |
| 8 | 91810 | 1 | Needle - Inlet |
| 9 | 91811 | 1 | Spring - Lever |
| 10 | 91812 | 1 | Lever - Inlet needle |
| 11 | 91813 | 1 | Pin - lever |
| 12 | 91814 | 1 | Screw - Lever pin (m3) |
| 13 | 91815 | 1 | Diaphragm Asy - Metering |
| 14 | | 4 | Screw - Diaphragm cover (m3) Not available separately. |
| 15 | 91818 | 1 | Needle - Idle mixture |
| 16 | 94033 | 1 | Needle - High speed |
| 17 | 91819 | 1 | Spring - Needle |
| 18 | 91820 | 1 | Screen - Filter |
| 19 | 91821 | 1 | Gasket - Metering diaphragm |
| 20 | 92097 | 1 | Welch Plug |
| 21 | 93950 | 1 | Orifice - Main fuel |



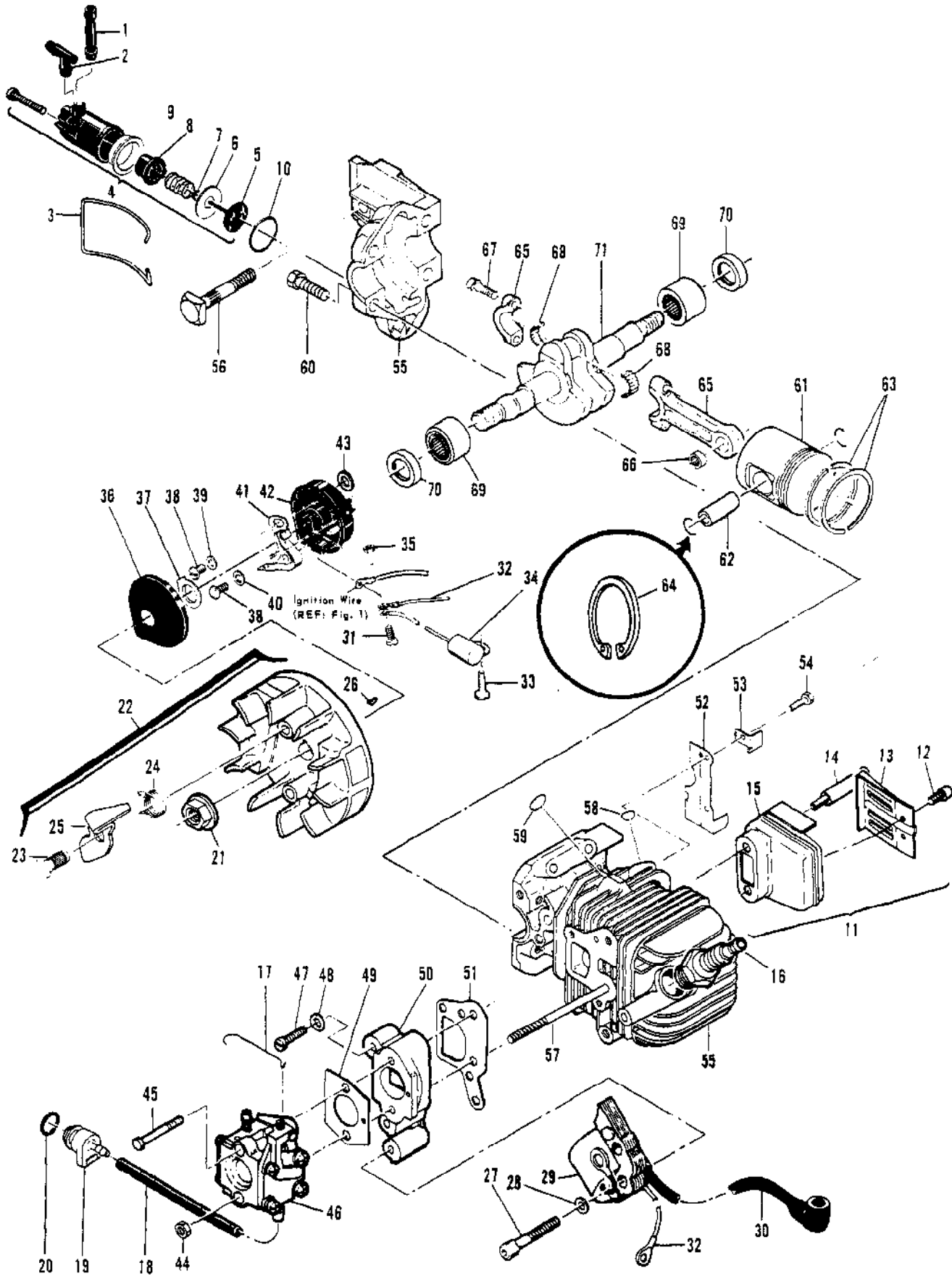
| Ref # | Part Number | Qty | Description |
|-------|-------------|-----|--|
| 1 | 216439 | 1 | Lever - Flag Brake |
| 2 | 216256 | 1 | Nut - Brake Handle |
| 3 | 216541 | 1 | Washer |
| 4 | 216542 | 1 | Washer - Lock |
| 5 | 216276 | 1 | Screw - BTN 1/4 - 20 x .81 |
| 6 | 216320 | 1 | CHAIN BRAKE Asy |
| 7 | 216540 | 1 | Screw - Fil 8-32 x 5/8 |
| 8 | 94709 | 1 | Band - Brake |
| 9 | 215758 | 1 | Kit - Latch |
| 10 | | 1 | Spring - Compression Not available separately. |
| 11 | 93602 | 1 | Pivot - Latch |
| 12 | 213907 | 1 | Pin - Roller |
| 13 | 214368 | 1 | Bearing - Roller |
| 14 | 213052 | 1 | Screw - Adjusting |
| 15 | 110907 | 1 | Ring - Retaining |
| 16 | 84929 | 1 | Nut - Bar Adjusting |



| Ref # | Part Number | Qty | Description |
|-------|-------------|-----|----------------------------|
| 1 | 213047 | 1 | Screw - Skt 1/4-20 x 1-1/2 |
| 2 | 216392 | 1 | Washer - Spring lock |
| 3 | 100005 | 1 | Washer |
| 4 | 213048 | 1 | Screw - Fil 1/4-20 x 1-3/4 |
| 5 | 105043 | 1 | Washer - Spring lock |
| | 94053 | 1 | Kit - Handle and Frame |
| 6 | 216388 | 1 | Screw - Hx 12-24 x 13/16 |
| 7 | 216538 | 1 | Screw - Pn 10-16 x 7/8 |
| 8 | 216537 | 3 | Screw - Pn 10-16 x 1-5/8 |
| 9 | 216536 | 5 | Washer |
| 10 | 93057 | 3 | Spacer - Mount |
| 11 | 110989 | 3 | Grommet |
| 12 | 93031 | 1 | Link Mount |
| 13 | 216535 | 3 | Screw - Pn 8-16 x 5/8 |
| 14 | 93026 | 1 | Guard - Chain |
| 15 | 94054 | 1 | Kit - Handle |
| 16 | 216538 | 1 | Screw - Pn 10-16 x 7/8 |
| 17 | 93030 | 1 | Insert - Handle |
| 18 | 110976 | 1 | Screw - Pn 1/4 -14 x 1-3/4 |
| 19 | 94052 | 1 | Frame |
| 20 | 110960 | 1 | Washer - Wavey |
| 21 | 110936 | 1 | Retainer - Spring |
| 22 | 216083 | 1 | Trigger - Throttle |
| 23 | 90606 | 1 | Spring - Trigger |
| 24 | 90615 | 1 | Spring - Trigger release |
| 25 | 91504 | 1 | Release - Trigger |
| 26 | 91171 | 1 | Mount |
| 27 | 105615 | 1 | "O" Ring |
| 28 | 91170 | 1 | Mount Asy |
| 29 | 105615 | 1 | "O" Ring |

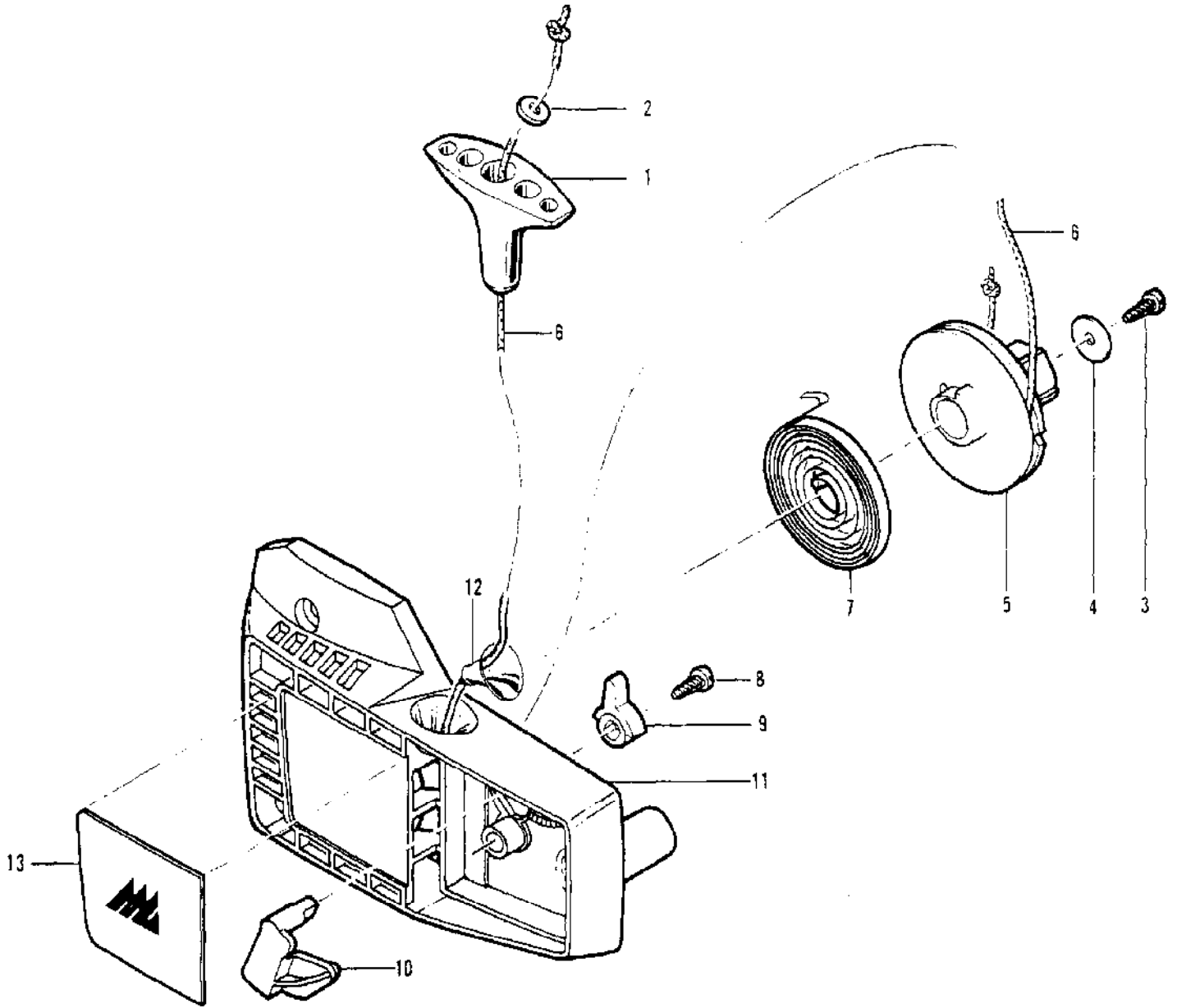


| Ref # | Part Number | Qty | Description |
|-------|-------------|-----|--|
| 1 | 110676 | 1 | Nut - Hx 1/4-28 |
| 2 | | | CHAIN BRAKE Asy See "Chain Brake Assembly" illustration and parts list |
| 3 | 214925N | 1 | Chain Asy |
| 4 | 214236 | 1 | Bar |
| 5 | 110639 | 2 | Screw - Hx hd 12-24 x 1 |
| 6 | 92863 | 1 | Cover - Fuel & Oil tank |
| 7 | 213278 | 1 | Clutch Kit |
| 8 | 93608 | 1 | Spring Asy |
| 9 | 213276 | 2 | Shoe - Clutch |
| 10 | 110957 | 2 | Rivet |
| 11 | 85064 | 2 | Plate |
| 12 | 94247 | 1 | Rotor Kit |
| 13 | 94244 | 1 | Nut - Clutch |
| 14 | 94243 | 1 | Plate - Dust |
| 15 | 214390 | 1 | Drum/Spkt/Brng Asy - .375P |
| 16 | 91222 | 1 | Kit - Needle brng |
| 17 | 215259 | 1 | Washer - Sprocket |
| 18 | 91454A | 1 | Tank Kit - Fuel & Oil |
| 19 | 216070 | 2 | Cap - Fuel & Oil (unvented) |
| 20 | 91148 | 1 | Seal - Fuel vent |
| 21 | 84956 | 1 | Pickup - Fuel |
| 22 | 213906 | 1 | Piston - Pulse Oiler |
| 23 | 83946 | 1 | Spring - Piston |
| 24 | 85557 | 1 | Body - Oiler |
| 25 | 93295 | 1 | Rod - Oiler |
| 26 | 89070 | 1 | Nut - Air cleaner cover |
| 27 | 89069 | 1 | Cover - Air cleaner |
| 28 | 92410 | 1 | Filter - Air |
| 29 | 216511 | 3 | Screw - Skt 12-24 x 3/4 |
| 30 | 213822 | 1 | Shroud/Latch Asy |
| 31 | 111007 | 1 | Rivet |
| 32 | 93912 | 1 | Spring - Throttle latch |
| 33 | 92649 | 1 | Kit - Ignition switch |
| 34 | 104810 | 1 | Nut - Hx 15/32-32 |
| 35 | 69344 | 1 | Wire Asy - Ignition |
| 36 | 110953 | 3 | Screw - Hx hd 12-24 x 5/8 |
| 37 | 110882 | 1 | Washer |
| 38 | | | Starter Asy See "Starter Assembly" illustration and parts list |
| 39 | 93236 | 1 | Deflector - Air |
| 40 | 94142 | 1 | Gasket - Starter housing |
| 41 | 102762 | 1 | Screw - Hx hd 10-24 x 1/2 |
| 42 | | | Powerhead Asy See "Powerhead Assembly" illustration and parts list |
| 43 | | | Handle & Frame Asy See "Handle & Frame Assembly" illustration and parts list |
| 44 | 216145 | 1 | Plate - Name |
| 45 | 91735 | 1 | Kit - Spike |
| 46 | 213046 | 2 | Screw Hx hd 10-24 x 1/2 |



| Ref # | Part Number | Qty | Description |
|-------|-------------|-----|---|
| 1 | 83898 | 1 | Connector - Outlet |
| 2 | 84613 | 1 | Connector - Pump |
| 3 | 83896 | 1 | Bail - Mounting |
| 4 | 215739 | 1 | Pump Assembly - Oiler |
| | 216426 | 1 | Repair Kit - Oil Pump |
| 5 | | 1 | Piston Assembly Not available separately. |
| 6 | | 1 | Piston Ring Not available separately. |
| 7 | | 1 | "O" Ring Not available separately. |
| 8 | | 1 | Sleeve Not available separately. |
| 9 | | 1 | Eyelet Not available separately. |
| 10 | 110653 | 1 | "O" Ring |
| 11 | 215411 | 1 | Kit - Muffler |
| 12 | 110681 | 2 | Screw - Skt hd 10-24 x 1/4 |
| 13 | 92961 | 1 | Deflector - Exhaust |
| 14 | 213327 | 2 | Screw - Special |
| 15 | | 1 | Body - Cover Not available separately. |
| 16 | 63432 | 1 | Spark Plug |
| 17 | 89060 | 1 | Rod - Throttle |
| 18 | 89059 | 1 | Hose - Fuel |
| 19 | 90660 | 1 | Adapter - Fuel hose |
| 20 | 110908 | 1 | "O" Ring |
| 21 | 110961 | 1 | Nut - Hx 5/16-24 |
| 22 | 94737 | 1 | Flywheel/Pawl Assembly |
| 23 | 68796 | 2 | Pin - Pawl |
| 24 | 67814 | Z | Spring - Pawl |
| 25 | 94493 | 2 | Pawl - Starter |
| 26 | 102164 | 1 | Key - Woodruff |
| 27 | 213050 | 2 | Screw - Skt 8-32 x 1-5/8 |
| 28 | 100080 | 2 | Washer - #8 |
| 29 | 84957 | 1 | Coil 5 Lamination |
| 30 | 215351 | 1 | Wire Assembly - Spark plug |
| 31 | 110364 | 1 | Screw - Pan hd 6-32 x 3/4 |
| 32 | 69344 | 1 | Wire Assembly - Coil |
| 33 | 110041 | 1 | Screw - Pan hd 8-32 x 1/2 |
| 34 | 85358 | 1 | Condenser |
| 35 | 100035 | 1 | Nut - Hx 6-32 |
| 36 | 67841 | 1 | Cover - Breaker box |
| 37 | 69323 | 1 | Seal - Breaker box |
| 38 | 213032 | 2 | Screw - Hx hd 8-32 x 1/2 |
| 39 | 69322 | 1 | Washer - Hard #8 |
| 40 | 105976 | 1 | Washer - #8 Plain |
| 41 | 88811 | 1 | Breaker Assembly |
| 42 | 92054 | 1 | Kit - Breaker box |
| 43 | 92037 | 1 | Washer |
| 44 | 105367 | 1 | Nut - Hx 10-24 |
| 45 | 110614 | 1 | Screw - Hx hd 10-24 x 2-3/8 |
| 46 | | | Carburetor Assembly |
| 47 | 110652 | 1 | Screw - Pan hd 8-32 x 1 |
| 48 | 100080 | 1 | Washer - #8 |
| 49 | 89057 | 1 | Gasket - Carburetor |
| 50 | 214352 | 1 | Insulator |
| 51 | 89054 | 1 | Gasket - Insulator |
| 52 | 89648A | 1 | Shield |
| 53 | 93353 | 1 | Deflector - Sawdust |
| 54 | 110674 | 2 | Screw - Hx hd 10-24 x 1/2 s/t |

| Ref # | Part Number | Qty | Description |
|-------|-------------|-----|-----------------------------|
| 55 | 214156 | 1 | Cylinder/C'case Assembly |
| 56 | 83856 | 1 | Bolt - Bar mounting |
| 57 | 94143 | 1 | Stud |
| 58 | 110914 | 2 | Plug - Cup |
| 59 | 111024 | 2 | Plug - Cup |
| 60 | 216512 | 4 | Screw - Skt 12-24 x 1 |
| 61 | 94661 | 1 | Piston Assembly |
| 62 | 92836 | 1 | Pin - Piston |
| 63 | 91703 | 1 | Ring Set - Piston |
| 64 | 111026 | Z | Ring - Snap |
| 65 | 94135 | 1 | Connecting Rod Assembly |
| 66 | 110984 | 1 | Bearing - Needle |
| 67 | 94654 | 2 | Screw - Connecting rod |
| 68 | 68095 | 1 | Roller - Needle (set of 20) |
| 69 | 93763 | 2 | Sleeve Assembly - Bearing |
| 70 | 83859 | 2 | Seal - Oil |
| 71 | 91932 | 1 | Crankshaft |



| Ref # | Part Number | Qty | Description |
|-------|-------------|-----|---------------------------|
| | 213260 | 1 | Starter Assembly |
| 1 | 91255 | | Kit - Starter handle |
| 2 | 105490 | 1 | Washer |
| 3 | 110041 | 1 | Screw - Pan hd 8-32 x 1/2 |
| 4 | 68497 | 1 | Washer |
| 5 | 213261 | 1 | Drum/Rope Assembly |
| 6 | 83203 | 1 | Rope - Starter |
| 7 | 83078 | 1 | Spring - Rewind |
| 8 | 110041 | 1 | Screw - Pan hd 8-32 x 1/2 |
| 9 | 91182 | 1 | Lever - Choke |
| 10 | 91183 | 1 | Plate - Choke |
| 11 | 94148 | 1 | Housing - Starter |
| 12 | 67571 | 1 | Guide - Rope |
| 13 | 91570 | 1 | Plate |