

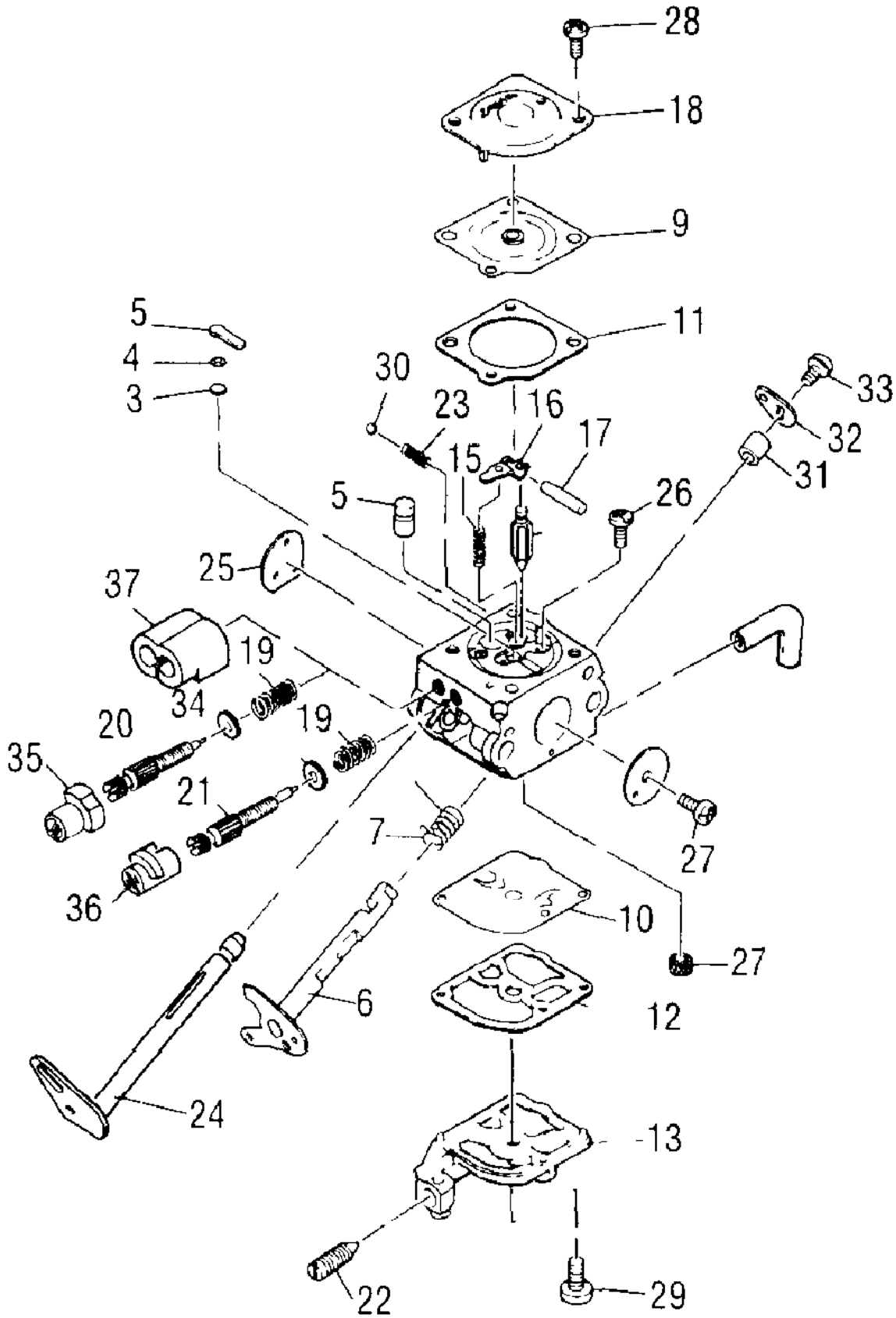
No
Diagram
Available

Parts List
Only

| Ref # | Part Number | Qty | Description |
|-------|-------------|-----|-------------------------|
| | 21423533 | | BAR MPG370GLX49cl 14" |
| | 21423633 | | BAR MPG370GLX54cl 16" |
| | 21927633 | | BAR MPG370GLX60cl 18" |
| | 21491933 | | CHAIN MPG370GLX49cl 14" |
| | 21492533 | | CHAIN MPG370GLX54cl 16" |
| | 21927533 | | CHAIN MPG370GLX60cl 18" |
| | 30199233 | | FILE AND GUIDE |
| | 21421733 | | FILE |

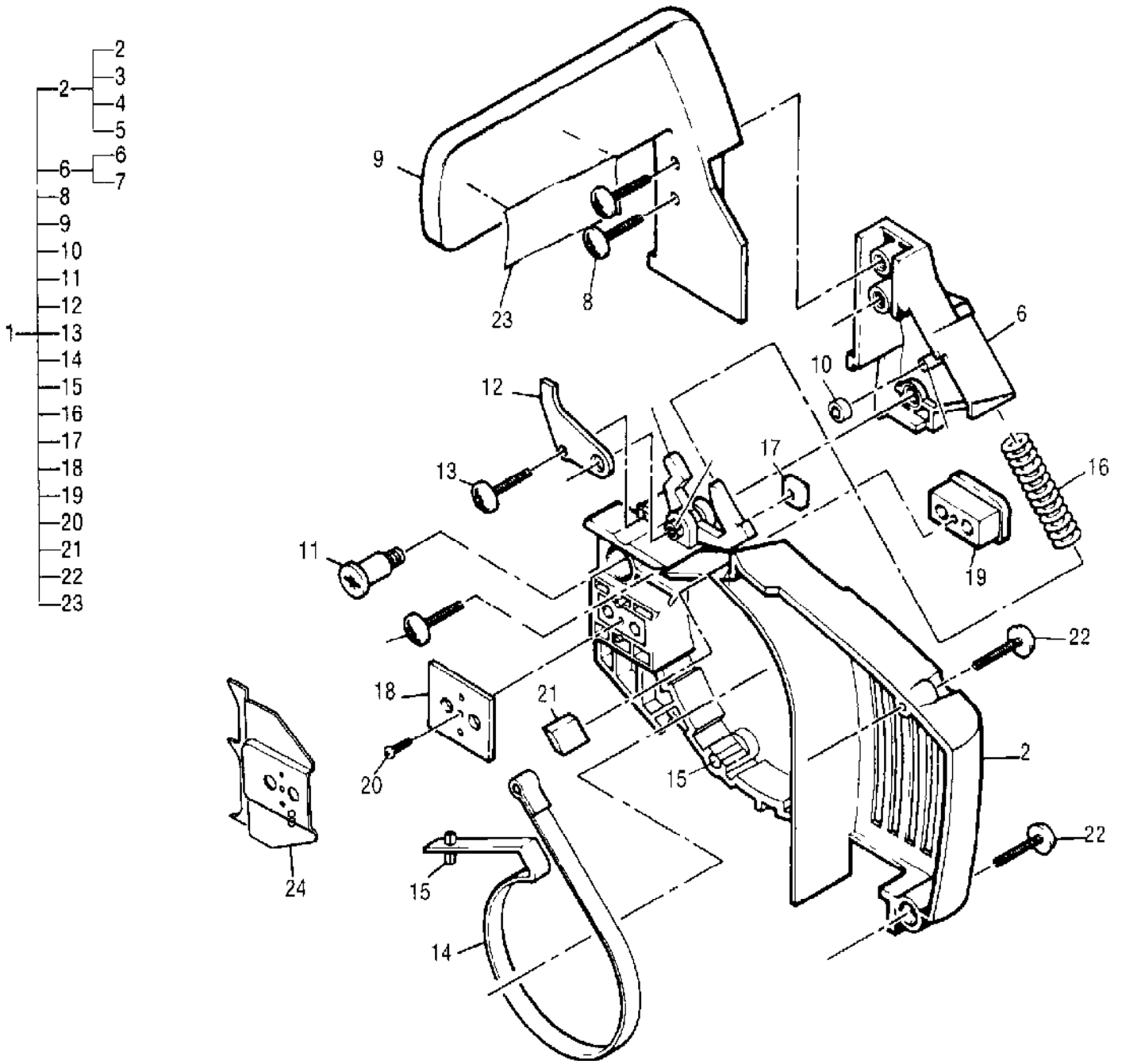
| Ref # | Part Number | Qty | Description |
|-------|-------------|-----|--|
| | 32365304 | | Carburetor Walbro WT 438 Distributor stocked. Medium to slow moving part. |
| | 32365404 | | Carburetor Walbro WT 439 Distributor stocked. Medium to slow moving part. |
| 1 | | 1 | Strainer Not available individually, included in Carburetor Asy. |
| 2 | | 1 | Plug Welch Not available individually, included in Carburetor Asy. |
| 3 | | 1 | Valve Check Not available individually, included in Carburetor Asy. |
| 4 | | 1 | Retainer, Check Valve Not available individually, included in Carburetor Asy. |
| 5 | | 1 | Nozzle Asy Check Valve Not available individually, included in Carburetor Asy. |
| 6 | | 1 | Shaft Asy, Throttle Not available individually, included in Carburetor Asy. |
| 7 | | 1 | Spring Throttle Return Not available individually, included in Carburetor Asy. |
| 8 | | 1 | Valve, Throttle Not available individually, included in Carburetor Asy. |
| 9 | | 1 | Diaphragm Asy, metering Not available individually, included in Carburetor Asy. |
| 10 | | 1 | Diaphragm, Pump Not available individually, included in Carburetor Asy. |
| 11 | | 1 | Gasket, metering Chamber Not available individually, included in Carburetor Asy. |
| 12 | | 1 | Gasket Pump Not available individually, included in Carburetor Asy. |
| 13 | | 1 | Cover Pump Not available individually, included in Carburetor Asy. |
| 14 | | 1 | Valve Inlet Needle Not available individually, included in Carburetor Asy. |
| 15 | | 1 | Spring, metering Lever Not available individually, included in Carburetor Asy. |
| 16 | | 1 | Lever metering Not available individually, included in Carburetor Asy. |
| 17 | | 1 | Pie Not available individually, included in Carburetor Asy. |
| 18 | | 1 | Cover metering Chamber Not available individually, included in Carburetor Asy. |
| 19 | | 2 | Spring Adjust Screw Not available individually, included in Carburetor Asy. |
| 20 | | 1 | Screw Main Mixture Not available individually, included in Carburetor Asy. |

| Ref # | Part Number | Qty | Description |
|-------|-------------|-----|--|
| 21 | | 1 | Screw, Idle Mixture Not available individually, included in Carburetor Asy. |
| 22 | | 1 | Screw Throttle Adjust Not available individually, included in Carburetor Asy. |
| 23 | | 4 | Spring Friction Not available individually, included in Carburetor Asy. |
| 24 | | 1 | Shaft Asy Choke Not available individually, included in Carburetor Asy. |
| 25 | | 1 | Valve, Choke Not available individually, included in Carburetor Asy. |
| 26 | | 1 | Screw, Pin Not available individually, included in Carburetor Asy. |
| 27 | | 1 | Screw Throttle/Choke Valve Not available individually, included in Carburetor Asy. |
| 28 | | 2 | Screw metering Chamber Not available individually, included in Carburetor Asy. |
| 29 | | 1 | Screw, Pump Cover Not available individually, included in Carburetor Asy. |
| 30 | | 1 | Ball, Steel Not available individually, included in Carburetor Asy. |
| 31 | | 1 | Collar Not available individually, included in Carburetor Asy. |
| 32 | | 1 | Lever, Throttle Not available individually, included in Carburetor Asy. |
| 33 | | 1 | Screw Throttle Lever Not available individually, included in Carburetor Asy. |
| 34 | | 2 | Washer Limiter Not available individually, included in Carburetor Asy. |
| 35 | 325465 | 1 | Cap, Limiter, Hi Included in Carburetor Asy.; Distributor stocked. Medium to slow moving part. |
| 36 | 325466 | 1 | Cap Limiter Lo Included in Carburetor Asy.; Distributor stocked. Medium to slow moving part. |
| 37 | | 1 | Retainer, Limiter Not available individually, included in Carburetor Asy. |
| | 324013 | | Kit, Carburetor Repair A1128WT |
| | 324009 | | Kit, Gasket/Diaphragm B1110WT |



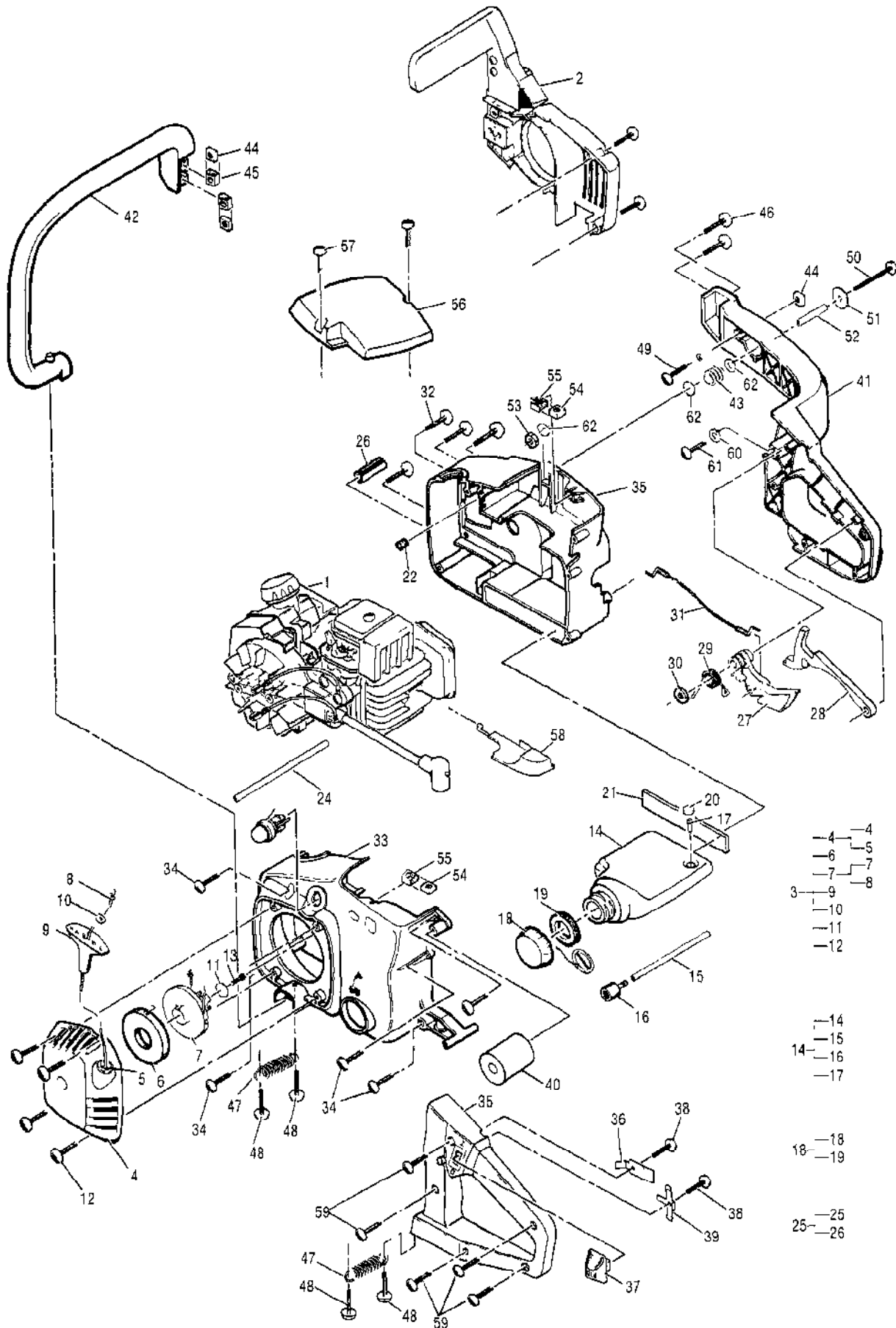
| Ref # | Part Number | Qty | Description |
|-------|-------------|-----|--|
| | 32365303 | | Carburetor, Zama CU1M28C Distributor stocked. Medium to slow moving part. |
| | 32365403 | | Carburetor, Zama CU1M33C Distributor stocked. Medium to slow moving part. |
| | 32494701 | | Carburetor, Zama C1QM36 Distributor stocked. Medium to slow moving part. |
| 1 | | 1 | Strainer Not available individually. Included in Carburetor Asy. |
| 2 | | 1 | Plug, Welch Not available individually. Included in Carburetor Asy. |
| 3 | | 1 | Valve, Check Not available individually. Included in Carburetor Asy. |
| 4 | | 1 | Retainer, Check Valve Not available individually. Included in Carburetor Asy. |
| 5 | | 1 | Nozzle Asy, Check Valve Not available individually. Included in Carburetor Asy. |
| 6 | | 1 | Shaft Asy, Throttle Not available individually. Included in Carburetor Asy. |
| 7 | | 1 | Spring, Throttle Return Not available individually. Included in Carburetor Asy. |
| 8 | | 1 | Valve, Throttle Not available individually. Included in Carburetor Asy. |
| 9 | | 1 | Diaphragm Asy, metering Not available individually. Included in Carburetor Asy. |
| 10 | | 1 | Diaphragm, Pump Not available individually. Included in Carburetor Asy. |
| 11 | | 1 | Gasket, metering Chamber Not available individually. Included in Carburetor Asy. |
| 12 | | 1 | Gasket, Pump Not available individually. Included in Carburetor Asy. |
| 13 | | 1 | Cover, Pump Not available individually. Included in Carburetor Asy. |
| 14 | | 1 | Valve, Inlet Needle Not available individually. Included in Carburetor Asy. |
| 15 | | 1 | Spring, metering Lever Not available individually. Included in Carburetor Asy. |
| 16 | | 1 | Lever, metering Not available individually. Included in Carburetor Asy. |
| 17 | | 1 | Pin Not available individually. Included in Carburetor Asy. |
| 18 | | 1 | Cover, metering Chamber Not available individually. Included in Carburetor Asy. |
| 19 | | 2 | Spring, Adjust Screw Not available individually. Included in Carburetor Asy. |

| Ref # | Part Number | Qty | Description |
|-------|-------------|-----|--|
| 20 | | 1 | Screw, Main Mixture Not available individually. Included in Carburetor Asy. |
| 21 | | 1 | Screw, Idle Mixture Not available individually. Included in Carburetor Asy. |
| 22 | | 1 | Screw,Throttle Adjust Not available individually. Included in Carburetor Asy. |
| 23 | | 4 | Spring, Friction Not available individually. Included in Carburetor Asy. |
| 24 | | 1 | Shaft Asy, Choke Not available individually. Included in Carburetor Asy. |
| 25 | | 1 | Valve, Choke Not available individually. Included in Carburetor Asy. |
| 26 | | 1 | Screw, Pin Not available individually. Included in Carburetor Asy. |
| 27 | | 1 | Screw, Throttle/Choke Valve Not available individually. Included in Carburetor Asy. |
| 28 | | 2 | Screw, metering Chamber Not available individually. Included in Carburetor Asy. |
| 29 | | 1 | Screw, Pump Cover Not available individually. Included in Carburetor Asy. |
| 30 | | 1 | Ball, Steel Not available individually. Included in Carburetor Asy. |
| 31 | | 1 | Collar Not available individually. Included in Carburetor Asy. |
| 32 | | 1 | Lever, Throttle Not available individually. Included in Carburetor Asy. |
| 33 | | 1 | Screw, Throttle Lever Not available individually. Included in Carburetor Asy. |
| 34 | | 2 | Washer, Limiter Not available individually. Included in Carburetor Asy. |
| 35 | 111216 | 1 | Cap, Limiter, Hi Included in Carburetor Asy.; Distributor stocked. Medium to slow moving part. |
| 36 | 111217 | 1 | Cap, Limiter, Lo Included in Carburetor Asy.; Distributor stocked. Medium to slow moving part. |
| 37 | | 1 | Retainer, Limiter Not available individually. Included in Carburetor Asy. |
| | 301041 | | Kit, Carburetor Repair RB-39 |
| | 301042 | | Kit, Gasket/Diaphragm GND-35 |



| Ref # | Part Number | Qty | Description |
|-------|-------------|-----|--|
| 1 | 301558 | 1 | Brake Kit Asy, Yellow Choose appropriate color; Factory stocked. Slow moving part. |
| | 301557 | 1 | Brake Kit Asy, Black Choose appropriate color; Factory stocked. Slow moving part. |
| 2 | 301559 | 1 | Housing Kit Asy, Yellow Choose appropriate color; Factory stocked. Slow moving part. |
| | 301560 | 1 | Housing Kit Asy, Black Choose appropriate color; Factory stocked. Slow moving part. |
| 3 | 216755 | 1 | Latch, Chain Brake Factory stocked. Slow moving part. |
| 4 | | 1 | Dowel, Spring Not available individually. |
| 5 | | 2 | Pin, Dowel Not available individually. |
| 6 | 301038 | 1 | Lever, Actuating Distributor stocked. Medium to slow moving part. |
| 7 | | 1 | Pin, Dowel Not available individually. |
| 8 | 111226 | 3 | Screw, 10-24 x .62 Tr Hd Torx Dealer stocked. Fast to medium moving part. |
| 9 | 323082 | 1 | Guard, Hand Dealer stocked. Fast to medium moving part. |
| 10 | 224849 | 1 | Roller Distributor stocked. Medium to slow moving part. |
| 11 | 224847 | 1 | Screw, Shoulder Distributor stocked. Medium to slow moving part. |
| 12 | 224848 | 1 | Stop, Brake Distributor stocked. Medium to slow moving part. |
| 13 | 300294 | 1 | Screw, 8-16 x .75 Tr Hd Plastite Dealer stocked. Fast to medium moving part. |
| 14 | 301037 | 1 | Band, Brake Dealer stocked. Fast to medium moving part. |
| 15 | | 1 | Pin, Spring (.125 x .50) Not available individually. |
| 16 | 322204 | 1 | Spring, Compression Dealer stocked. Fast to medium moving part. |
| 17 | 218005 | 1 | Nut, Square 10-24 Dealer stocked. Fast to medium moving part. |
| 18 | 300275 | 1 | Shield Distributor stocked. Medium to slow moving part. |
| 19 | 300271 | 1 | Spacer, Bar Pad Distributor stocked. Medium to slow moving part. |
| 20 | 111101 | 1 | Screw, 4-40 x 5/16 Taptite Factory stocked. Slow moving part. |
| 21 | 322194 | 1 | Seal, Foam Dealer stocked. Fast to medium moving part. |
| 22 | 300299 | 2 | Screw, 8-16 x 1.0 Tr Hd Plastite Distributor stocked. Medium to slow moving part. |

| Ref # | Part Number | Qty | Description |
|-------|-------------|-----|---|
| 23 | 4670341 | 1 | Label, Safety Distributor stocked. Medium to slow moving part. |
| 24 | 322181 | 1 | Spike, Bucking Optional equipment; Distributor stocked. Medium to slow moving part. |



- 4—4
- 6—5
- 7—7
- 8—8
- 3—9
- 10
- 11
- 12

- 14
- 15
- 14—16
- 17

- 18
- 18—19

- 25
- 25—26

| Ref # | Part Number | Qty | Description |
|-------|-------------|-----|---|
| 1 | | | Powerhead Asy See "Powerhead Assembly" illustration and parts list. |
| 2 | | | Chain Brake Asy See "Chain Brake Assembly" illustration and parts list. |
| 3 | 300858 | 1 | Starter Housing Asy, Grey Choose appropriate color; Factory stocked. Slow moving part. |
| | 300264 | 1 | Starter Housing Asy, Yellow Choose appropriate color; Dealer stocked. Fast to medium moving part. |
| | 301078 | 1 | Starter Housing Asy, Black Choose appropriate color; Factory stocked. Slow moving part. |
| 4 | 301651 | 1 | Housing/Rope Guide Asy, Grey Choose appropriate color; Factory stocked. Slow moving part. |
| | 301044 | 1 | Housing/Rope Guide Asy, Yellow Choose appropriate color; Distributor stocked. Medium to slow moving part. |
| | 301654 | 1 | Housing/Rope Guide Asy, Black Choose appropriate color; Factory stocked. Slow moving part. |
| 5 | | 1 | Rope Guide Not available individually |
| 6 | 300475 | 1 | Spring, Starter Rewind Dealer stocked. Fast to medium moving part. |
| 7 | 301043 | 1 | Rope/Drum Asy (32cc) Dealer stocked. Fast to medium moving part. |
| 8 | 300300 | 1 | Rope, Starter 50 inch Dealer stocked. Fast to medium moving part. |
| 9 | 87851 | 1 | Handle, Starter Dealer stocked. Fast to medium moving part. |
| 10 | 223944 | 1 | Bushing, Starter Dealer stocked. Fast to medium moving part. |
| 11 | 300297 | 1 | Washer, 19 ID x 68 OD Dealer stocked. Fast to medium moving part. |
| 12 | 300294 | 1 | Screw, 8-16 x .75 Torx Hd Plast Dealer stocked. Fast to medium moving part. |
| 13 | 300294 | 4 | Screw, 8-16 x .75 Torx Hd Plastite Dealer stocked. Fast to medium moving part. |
| 14 | 300260 | 1 | Oil Tank Asy Distributor stocked. Medium to slow moving part. |
| 15 | 300289 | 1 | Hose, Oil Pick-up Dealer stocked. Fast to medium moving part. |
| 16 | 225062 | 1 | Filter, Oil Dealer stocked. Fast to medium moving part. |
| 17 | 300256 | 1 | Valve, Duckbill Dealer stocked. Fast to medium moving part. |
| 18 | 300565 | 1 | Oil Cap Asy w/Retainer Dealer stocked. Fast to medium moving part. |

| Ref # | Part Number | Qty | Description |
|-------|-------------|-----|--|
| 19 | 300269 | 1 | Gasket, Oil Cap Dealer stocked. Fast to medium moving part. |
| 20 | 300259 | 1 | Filter, Foam Dealer stocked. Fast to medium moving part. |
| 21 | 322195 | 1 | Spacer, Oil Tank Distributor stocked. Medium to slow moving part. |
| 22 | 300259 | 1 | Filter, Foam Dealer stocked. Fast to medium moving part. |
| 23 | 22424202 | 1 | Primer, Remote Dealer stocked. Fast to medium moving part. |
| 24 | 300298 | 1 | Hose Dealer stocked. Fast to medium moving part. |
| 25 | 301056 | 1 | Housing/Pin Asy, Right Distributor stocked. Medium to slow moving part. |
| 26 | 111098 | 1 | Pin, Roll 1/4 x 1.0 L Distributor stocked. Medium to slow moving part. |
| 27 | 224821 | 1 | Trigger, Throttle Dealer stocked. Fast to medium moving part. |
| 28 | 224822 | 1 | Latch, Throttle Distributor stocked. Medium to slow moving part. |
| 29 | 224823 | 1 | Spring, Torsional Dealer stocked. Fast to medium moving part. |
| 30 | 111128 | 1 | "O" Ring Distributor stocked. Medium to slow moving part. |
| 31 | 322409 | 1 | Cable, Throttle Distributor stocked. Medium to slow moving part. |
| 32 | 111226 | 4 | Screw, 10-24 x .62 Tr Hd Torx Dealer stocked. Fast to medium moving part. |
| 33 | 32394761 | 1 | Engine Housing, Left, AV, Blk Choose Appropriate Color; Distributor stocked. Medium to slow moving part. |
| | 32394762 | 1 | Engine Housing, Left, AV, Grey Choose Appropriate Color; Factory stocked. Slow moving part. |
| 34 | 300294 | 5 | Screw, 8-16 x .75 Tr Hd, Plastite Dealer stocked. Fast to medium moving part. |
| 35 | 322164 | 1 | Handle, Left Rear, Black, AV Distributor stocked. Medium to slow moving part. |
| 36 | 322178 | 1 | Contact, Ground Stud, AV Distributor stocked. Medium to slow moving part. |
| 37 | 68846 | 1 | Button, Stop Switch Dealer stocked. Fast to medium moving part. |
| 38 | 223357 | 2 | Screw, 8-16 Plastite Dealer stocked. Fast to medium moving part. |
| 39 | 224844 | 1 | Contact, Ignition Distributor stocked. Medium to slow moving part. |

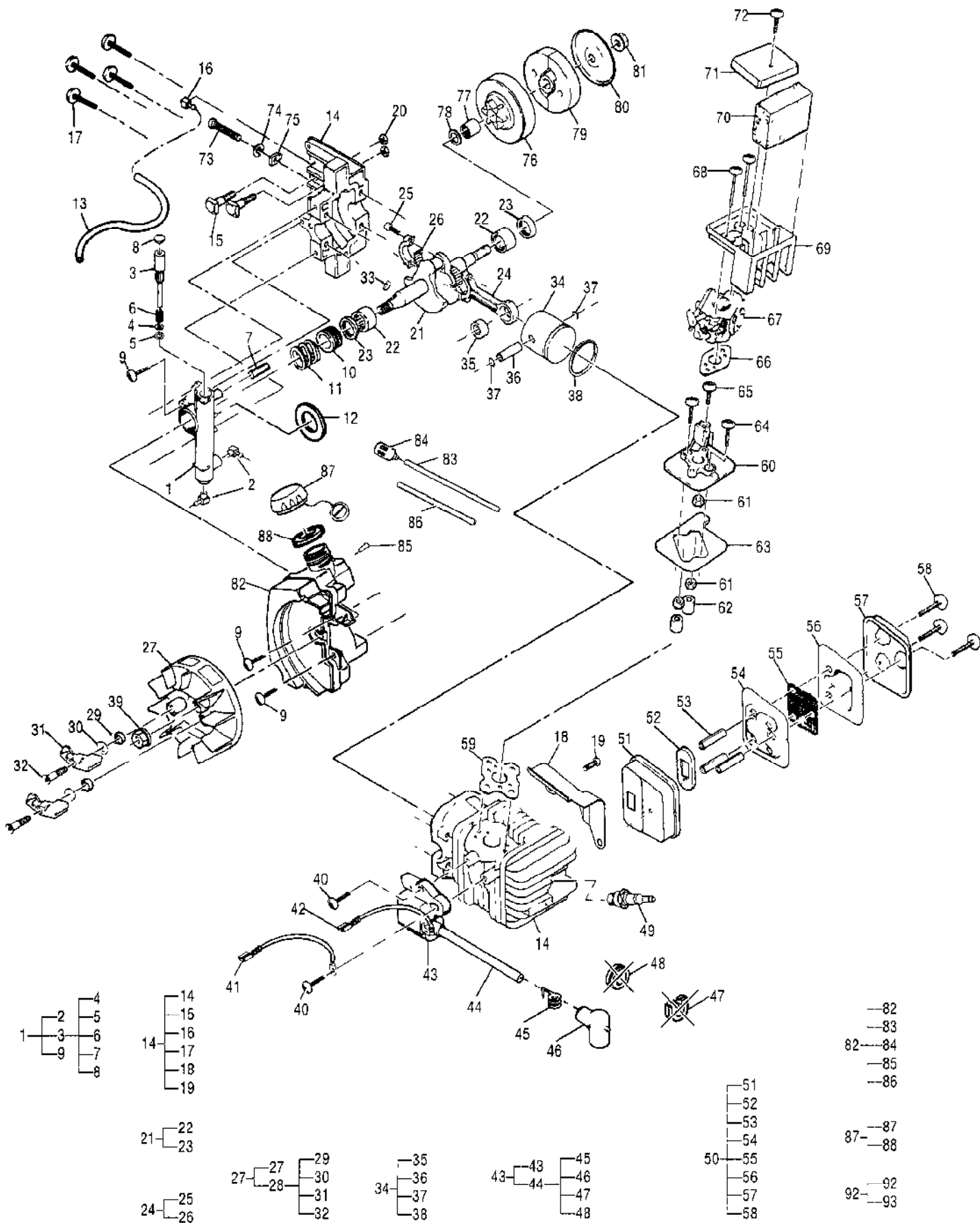
| Ref # | Part Number | Qty | Description |
|-------|-------------|-----|--|
| 40 | 322193 | 1 | Isolator, Rubber Dealer stocked. Fast to medium moving part. |
| 41 | 322163 | 1 | Handle, Right Rear, Black Dealer stocked. Fast to medium moving part. |
| 42 | 32216201 | 1 | Handle, Front Dealer stocked. Fast to medium moving part. |
| 43 | 322165 | 1 | Spring, Extension Dealer stocked. Fast to medium moving part. |
| 44 | 218005 | 3 | Nut, Square 10-24 Dealer stocked. Fast to medium moving part. |
| 45 | 300292 | 2 | Retainer, Nut Dealer stocked. Fast to medium moving part. |
| 46 | 111226 | 2 | Screw, 10-24 x .62 Tr Hd Torx Dealer stocked. Fast to medium moving part. |
| 47 | 322166 | 2 | Spring, Extension Dealer stocked. Fast to medium moving part. |
| 48 | 300294 | 4 | Screw, 8-16 x .75 Tr hd Plastite Dealer stocked. Fast to medium moving part. |
| 49 | 217935 | 1 | Screw, 10-24 x .50 Tr Torx Dealer stocked. Fast to medium moving part. |
| 50 | 218083 | 1 | Screw, 10-24 x 2.0 Tr Torx Dealer stocked. Fast to medium moving part. |
| 51 | 322176 | 1 | Washer, 2.0 x 7.8 in. OD Dealer stocked. Fast to medium moving part. |
| 52 | 322175 | 1 | Spacer, 0.2 ID x 1.0 Lg Distributor stocked. Medium to slow moving part. |
| 53 | 111135 | 1 | Nut, Hex Lock 10-24 Distributor stocked. Medium to slow moving part. |
| 54 | 218005 | 2 | Nut, Square 10-24 Dealer stocked. Fast to medium moving part. |
| 55 | 300292 | 2 | Retainer, Nut Dealer stocked. Fast to medium moving part. |
| 56 | 224830 | 1 | Cover, Air Filter Choose appropriate color; Distributor stocked. Medium to slow moving part. |
| | 322834 | 1 | Cover, Air Filter, Grey Choose appropriate color; Factory stocked. Slow moving part. |
| 57 | 111099 | 2 | Screw, 10-24 x .625 Pn Hd Torx Dealer stocked. Fast to medium moving part. |
| 58 | 22482601 | 1 | Rod, Choke Dealer stocked. Fast to medium moving part. |
| 59 | 300294 | 5 | Screw, 8-16 x .75 Tr Hd Plastite Dealer stocked. Fast to medium moving part. |
| 60 | 300297 | 1 | Washer, .19 ID x .68 OD Dealer stocked. Fast to medium moving part. |

| Ref # | Part Number | Qty | Description |
|-------|-------------|-----|--|
| 61 | 300294 | 1 | Screw, 8-16 x .75 Tr Hd Plastite Dealer stocked. Fast to medium moving part. |
| 62 | 93469 | 3 | Washer, .469 OD x .222 ID Dealer stocked. Fast to medium moving part. |

No
Diagram
Available

Parts List
Only

| Ref # | Part Number | Qty | Description |
|-------|-------------|-----|----------------------------------|
| | 32223502 | | Loctite Kit |
| | 322236 | | Retaining Compound 620 (10 ml) |
| | 322237 | | Thread Locker 242 (10 ml) |
| | 322238 | | Gasket Eliminator 518 (50 ml) |
| | 32223901 | | Black Max 380 (3 ml) |
| | 323749 | | Thread Locker 262 (10 ml) |
| | 323762 | | Anti-Seize lubricant 767 (30 ml) |



| Ref # | Part Number | Qty | Description |
|-------|-------------|-----|---|
| 1 | 301304 | 1 | Oil Pump Asy Dealer stocked. Fast to medium moving part. |
| 2 | 322182 | 2 | Fitting Distributor stocked. Medium to slow moving part. |
| 3 | 301084 | 1 | Kit, Gear/Plunger Asy Dealer stocked. Fast to medium moving part. |
| 4 | 110582 | 1 | Washer Dealer stocked. Fast to medium moving part. |
| 5 | | 1 | O-Ring Not available individually |
| 6 | | 1 | Spring Not available individually |
| 7 | | 1 | Pin, Dowel Not available individually |
| 8 | 322187 | 1 | Plug, Oil Pump Distributor stocked. Medium to slow moving part. |
| 9 | 111226 | 2 | Screw, 10-24 x .62 Tr Hd Torx Dealer stocked. Fast to medium moving part. |
| 10 | 224814 | 1 | Worm Gear Dealer stocked. Fast to medium moving part. |
| 11 | 224840 | 1 | Spring, Compression Dealer stocked. Fast to medium moving part. |
| 12 | 300295 | 1 | Seal, Foam, Oil Pump Dealer stocked. Fast to medium moving part. |
| 13 | 300288 | 1 | Connecting Hose Dealer stocked. Fast to medium moving part. |
| 14 | 301055 | 1 | Cyl/C'case/Bar Bolt Asy, 38cc Dealer stocked. Fast to medium moving part. |
| 15 | 8385601 | 2 | Bolt, Bar Dealer stocked. Fast to medium moving part. |
| 16 | 300257 | 1 | Fitting Distributor stocked. Medium to slow moving part. |
| 17 | 111083 | 4 | Screw, 12-24 x 1.0 Hx Wshr Hd Dealer stocked. Fast to medium moving part. |
| 18 | 323923 | 1 | Baffle, Air Factory stocked. Slow moving part. |
| 19 | 111054 | 1 | Screw, 10-24x.625 Dealer stocked. Fast to medium moving part. |
| 20 | 110676 | 2 | Nut, Hx 1/4-28 Flange Dealer stocked. Fast to medium moving part. |
| 21 | 302140 | 1 | Crankshaft/Bearing Asy Distributor stocked. Medium to slow moving part. |
| 22 | 213282 | 2 | Bearing, C'shaft Dealer stocked. Fast to medium moving part. |
| 23 | 83859 | 2 | Seal, C'shaft Oil Dealer stocked. Fast to medium moving part. |
| 24 | 9413501 | 1 | Connecting Rod/Bearing Asy Dealer stocked. Fast to medium moving part. |
| 25 | 94654 | 2 | Screw, Conn Rod Distributor stocked. Medium to slow moving part. |

| Ref # | Part Number | Qty | Description |
|-------|-------------|-----|--|
| 26 | 68095 | 1 | Set, Roller Pins Distributor stocked. Medium to slow moving part. |
| 27 | 302220 | 1 | Flywheel/Pawl Asy Distributor stocked. Medium to slow moving part. |
| 28 | 30076301 | 2 | Kit, Flywheel Pawls Dealer stocked. Fast to medium moving part. |
| 29 | 216982 | 2 | Spring, Starter Pawl Dealer stocked. Fast to medium moving part. |
| 30 | 111131 | 2 | Washer, Sp .469 OD x .222 ID Factory stocked. Slow moving part. |
| 31 | | 2 | Pawls Not available individually |
| 32 | 322721 | 2 | Pin, Starter Pawl Dealer stocked. Fast to medium moving part. |
| 33 | 102164 | 1 | Key, Flywheel Dealer stocked. Fast to medium moving part. |
| 34 | 30105401 | 1 | Kit, Piston, 38cc Dealer stocked. Fast to medium moving part. |
| 35 | 323930 | 1 | Bearing, Needle- Drawn Cup Factory stocked. Slow moving part. |
| 36 | 323943 | 1 | Pin, Piston Dealer stocked. Fast to medium moving part. |
| 37 | 111026 | 2 | Ring, Snap Dealer stocked. Fast to medium moving part. |
| 38 | | 1 | Piston, Ring, 38cc Not available individually |
| 39 | 110961 | 1 | Nut, Hx 5/16-24 Dealer stocked. Fast to medium moving part. |
| 40 | 217936 | 2 | Screw, Tr 10-24 x 75 Torx Dealer stocked. Fast to medium moving part. |
| 41 | 300555 | 1 | Wire Asy, Ground Distributor stocked. Medium to slow moving part. |
| 42 | 300556 | 1 | Wire Asy, Stop Switch Distributor stocked. Medium to slow moving part. |
| 43 | 302138 | 1 | Ignition Asy Dealer stocked. Fast to medium moving part. |
| 44 | 223884 | 1 | Kit, Plug Wire Dealer stocked. Fast to medium moving part. |
| 45 | 102556 | 1 | Connector Dealer stocked. Fast to medium moving part. |
| 46 | 95266 | 1 | Boot Dealer stocked. Fast to medium moving part. |
| 47 | 110995 | 1 | Grommet Not used on these models; Distributor stocked. Medium to slow moving part. |
| 48 | 21553301 | 1 | Grommet Not used on these models; Distributor stocked. Medium to slow moving part. |
| 49 | 322208 | 1 | Spark Plug RDJ7Y Dealer stocked. Fast to medium moving part. |

| Ref # | Part Number | Qty | Description |
|-------|-------------|-----|---|
| 50 | 301045 | 1 | Muffler Asy Distributor stocked. Medium to slow moving part. |
| 51 | 300280 | 1 | Body Factory stocked. Slow moving part. |
| 52 | 300281 | 1 | Plate, Reinforcing Factory stocked. Slow moving part. |
| 53 | 300284 | 3 | Spacer Factory stocked. Slow moving part. |
| 54 | 300282 | 1 | Baffle, Inner Muffler Factory stocked. Slow moving part. |
| 55 | 300286 | 1 | Screen, Spark Arrester Distributor stocked. Medium to slow moving part. |
| 56 | 300283 | 1 | Baffle, Outer Factory stocked. Slow moving part. |
| 57 | 323637 | 1 | Cover, Muffler Factory stocked. Slow moving part. |
| 58 | 111093 | 3 | Screw, 10-24 x 1.75 Tr Hd Torx Distributor stocked. Medium to slow moving part. |
| 59 | 300265 | 1 | Gasket, Insulator Dealer stocked. Fast to medium moving part. |
| 60 | 224820 | 1 | Insulator, Carburetor Dealer stocked. Fast to medium moving part. |
| 61 | 218315 | 3 | Nut, Hx 10-24 Dealer stocked. Fast to medium moving part. |
| 62 | 322188 | 2 | Spacer, Rubber Dealer stocked. Fast to medium moving part. |
| 63 | 224850 | 1 | Seal, Foam Dealer stocked. Fast to medium moving part. |
| 64 | 217937 | 2 | Screw, Tr 10-24 x 1.00 Torx Distributor stocked. Medium to slow moving part. |
| 65 | 217936 | 1 | Screw, Tr 10-24 x .75 Torx Dealer stocked. Fast to medium moving part. |
| 66 | 300293 | 1 | Gasket, Carburetor Dealer stocked. Fast to medium moving part. |
| 67 | | 1 | Carburetor/Choke Asy See "Carburetor Assembly" illustrations and parts lists. |
| 68 | 218083 | 2 | Screw, Tr 10-24 x 2.0 Torx Dealer stocked. Fast to medium moving part. |
| 69 | 224824 | 1 | Box, Air Filter Factory stocked. Slow moving part. |
| 70 | 224831 | 1 | Filter, Air Dealer stocked. Fast to medium moving part. |
| 71 | 224825 | 1 | Shield, Carburetor Distributor stocked. Medium to slow moving part. |
| 72 | 111055 | 1 | Screw, 10-14 x .625 Plastite Dealer stocked. Fast to medium moving part. |
| 73 | 223088 | 1 | Screw, Adjusting Dealer stocked. Fast to medium moving part. |
| 74 | 110907 | 1 | Ring, Retaining Dealer stocked. Fast to medium moving part. |

| Ref # | Part Number | Qty | Description |
|-------|-------------|-----|---|
| 75 | 68656 | 1 | Nut, Bar Adjusting Dealer stocked. Fast to medium moving part. |
| 76 | 302768 | 1 | Drum/Sprocket/Bearing Asy Dealer stocked. Fast to medium moving part. |
| 77 | 91117 | 1 | Bearing Dealer stocked. Fast to medium moving part. |
| 78 | 215259 | 1 | Washer, Sprocket Distributor stocked. Medium to slow moving part. |
| 79 | 301463 | 1 | Kit, Clutch Asy Dealer stocked. Fast to medium moving part. |
| 80 | 300276 | 1 | Plate, Dust Distributor stocked. Medium to slow moving part. |
| 81 | 111079 | 1 | Nut, Clutch, 5/16-24 LH Dealer stocked. Fast to medium moving part. |
| 82 | 301834 | 1 | Fuel Tank Asy Dealer stocked. Fast to medium moving part. |
| 83 | 300289 | 1 | Hose, Fuel Pickup Dealer stocked. Fast to medium moving part. |
| 84 | 216985 | 1 | Filter, Fuel Dealer stocked. Fast to medium moving part. |
| 85 | 322199 | 1 | Valve, Duckbill Dealer stocked. Fast to medium moving part. |
| 86 | 300290 | 1 | Hose, Primer Retain Dealer stocked. Fast to medium moving part. |
| 87 | 300564 | 1 | Cap, Fuel Asy, w/Retainer Dealer stocked. Fast to medium moving part. |
| 88 | 300267 | 1 | Gasket, Fuel Cap Dealer stocked. Fast to medium moving part. |
| 92 | | | UNKNOWN |
| 93 | | | UNKNOWN |



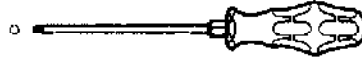
111124



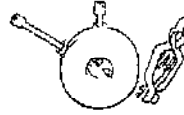
222785



217720



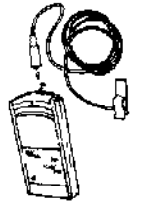
323754



323330



215432-01



91424

| Ref # | Part Number | Qty | Description |
|----------|-------------|-----|---|
| 111124 | 111124 | | T-27 Torx Dr 3.5 in. |
| 222785 | 222785 | | T-25 Torx Dr 3.5 in. |
| 217720 | 217720 | | Torx Dr Set |
| 323754 | 323754 | | Torx Dr Bit Sizes: Tx 10, 15, 20, 25, 27, 30 (Set of 6) |
| 323330 | 323330 | | Ignition Tester |
| 21543201 | 21543201 | | Pressure Test Tool |
| 91424 | 91424 | | Tachometer |