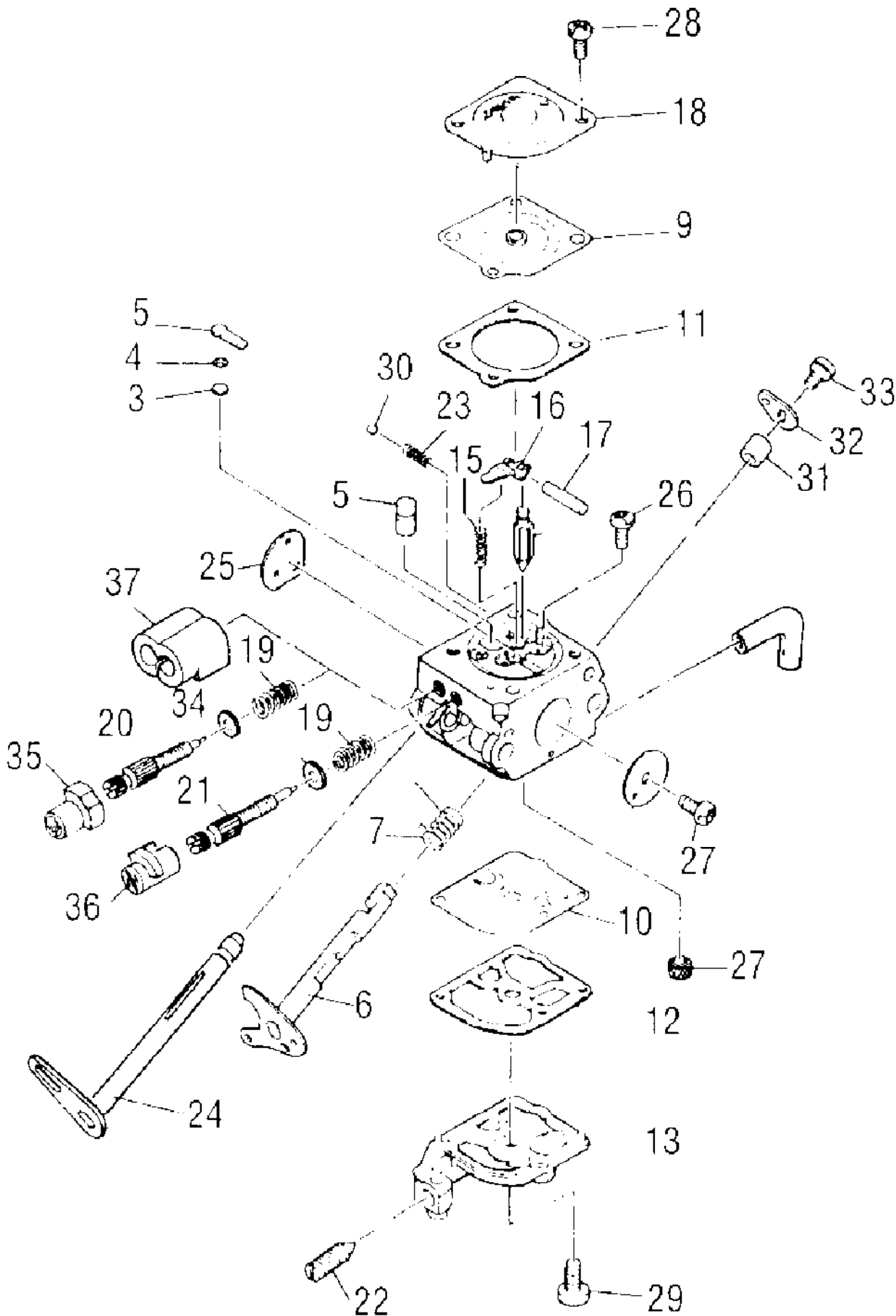


No
Diagram
Available

Parts List
Only

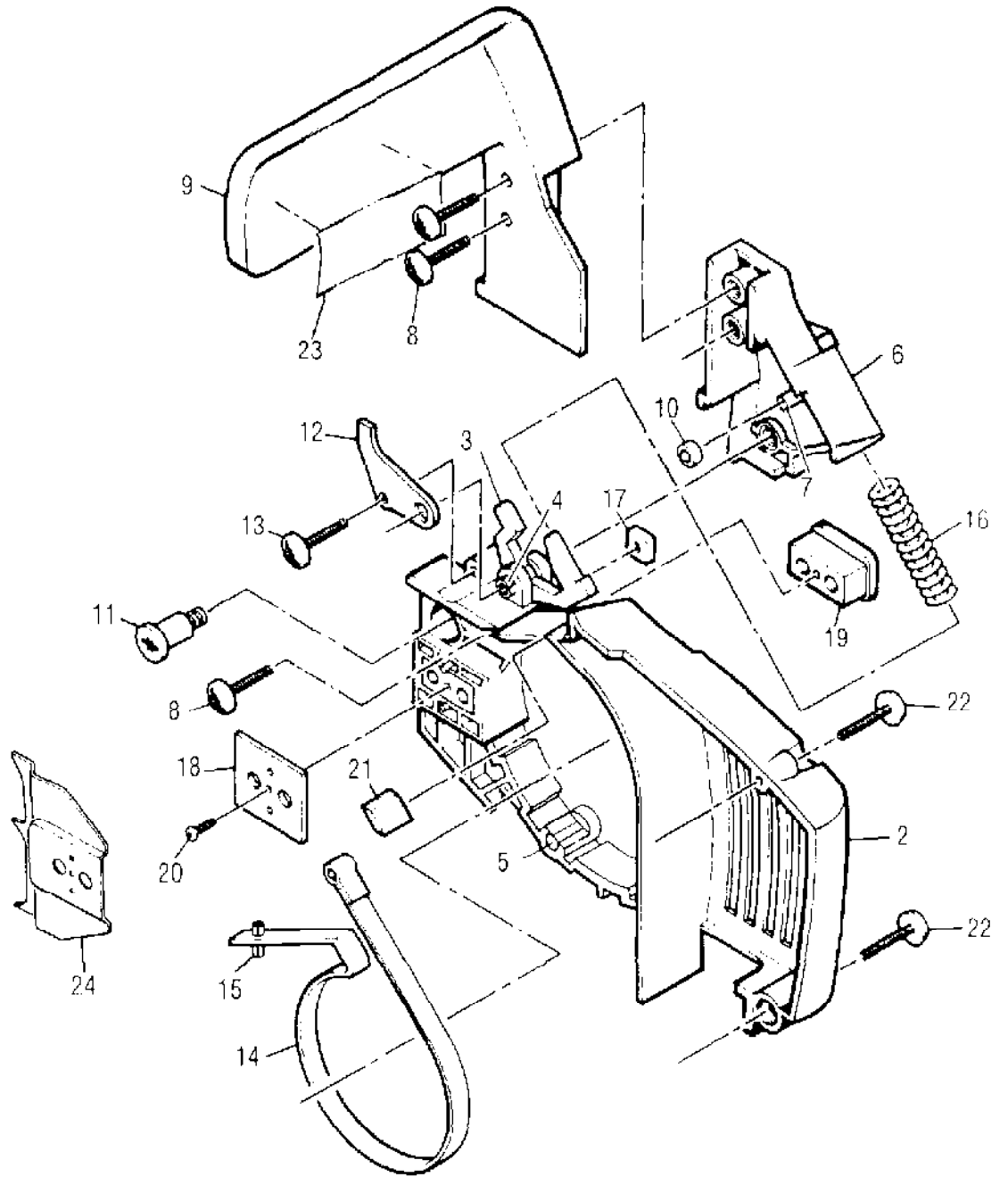
Ref #	Part Number	Qty	Description
	21423333		10" Bar
	21423433		12" Bar
	21423533		14" Bar
	21423633		16" Bar
	21492333		10" Chain MPG370GLX38cl
	21492133		12" Chain MPG370GLX44cl
	21491933		14" Chain MPG370GLX49cl
	21492533		16" Chain MPG370GLX54cl
	30199233		File & Guide (5/32) Service Tool
	21421733		File (5/32) Service Tool



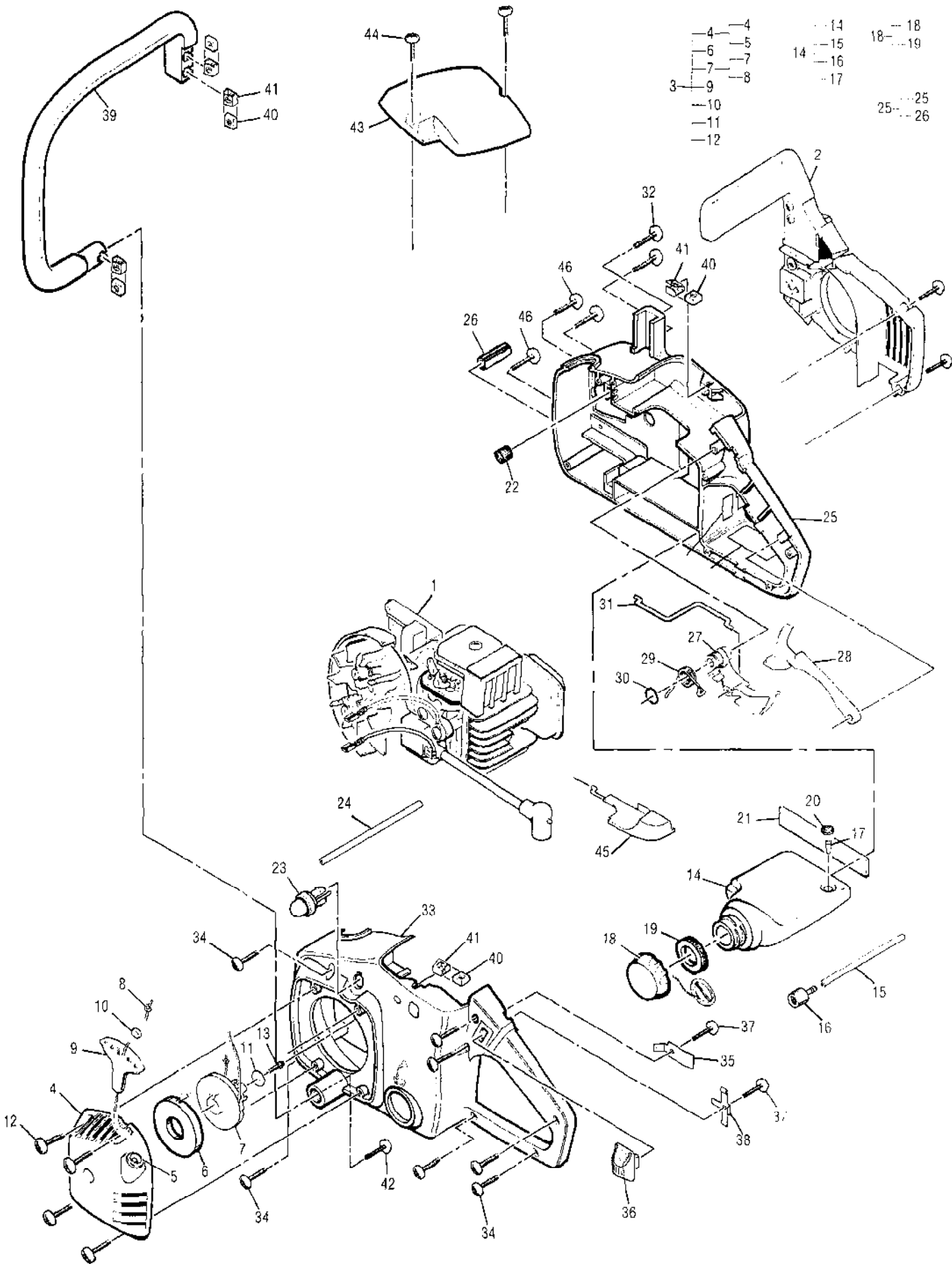
Ref #	Part Number	Qty	Description
	323653-03		Carburetor, Walbro WT 438
1		1	Strainer
2		1	Plug, Welch
3		1	Valve, Check (Not Included Individually)
4		1	Retainer, Check Valve (Not Included Individually)
5		1	Nozzle Assembly, Check Valve (Not Included Individually)
6		1	Shaft Assembly, Throttle (Not Included Individually)
7		1	Spring, Throttle Return (Not Included Individually)
8		1	Valve, Throttle (Not Included Individually)
9		1	Diaphragm Assembly, Metering (Not Included Individually)
10		1	Diaphragm, Pump (Not Included Individually)
11		1	Gasket, Metering Chamber (Not Included Individually)
12		1	Gasket, Pump (Not Included Individually)
13		1	Cover, Pump (Not Included Individually)
14		1	Valve, Inlet Needle (Not Included Individually)
15		1	Spring, Metering Lever (Not Included Individually)
16		1	Lever, Metering (Not Included Individually)
17		1	Pin (Not Included Individually)
18		1	Cover, Metering Chamber (Not Included Individually)
19		1	Spring, Adjust Screw (Not Included Individually)
20		1	Screw, Main Mixture (Not Included Individually)
21		1	Screw, Idle Mixture (Not Included Individually)
22		1	Screw, Throttle Adjust (Not Included Individually)
23		1	Spring, Friction (Not Included Individually)
24		1	Shaft Assembly, Choke (Not Included Individually)
25		1	Valve, Choke (Not Included Individually)
26		1	Screw, Pin (Not Included Individually)
27		1	Screw, Throttle/Choke Valve (Not Included Individually)
28		2	Screw, Metering Chamber (Not Included Individually)
29		1	Screw, Pump Cover (Not Included Individually)
30		1	Ball, Steel (Not Included Individually)
31		1	Collar (Not Included Individually)
32		1	Lever, Throttle (Not Included Individually)
33		1	Screw, Throttle Lever (Not Included Individually)
34		2	Washer, Limiter (Not Included Individually)
35	111216	2	Cap, Limiter, Hi
36	111217	1	Cap, Limiter, Lo
37		1	Retainer Limiter (Not Included Individually)
	324013		Carburetor Kit Repair A1128WT
	324009		Gasket/Diaphragm B1110WT

Ref #	Part Number	Qty	Description
	323653-03		Carburetor, Zama CU1M28C
	324947-01		Carburetor, Zama C1QM36
1		1	Strainer (Not Included Individually)
2		1	Plug, Welch (Not Included Individually)
3		1	Valve, Check (Not Included Individually)
4		1	Retainer, Check Valve (Not Included Individually)
5		1	Nozzle Assembly, Check Valve (Not Included Individually)
6		1	Shaft Assembly, Throttle (Not Included Individually)
7		1	Spring, Throttle Return (Not Included Individually)
8		1	Valve, Throttle (Not Included Individually)
9		1	Diaphragm Assembly, Metering (Not Included Individually)
10		1	Diaphragm, Pump (Not Included Individually)
11		1	Gasket, Metering Chamber (Not Included Individually)
12		1	Gasket, Pump (Not Included Individually)
13		1	Cover, Pump (Not Included Individually)
14		1	Valve, Inlet Needle (Not Included Individually)
15		1	Spring, Metering Lever (Not Included Individually)
16		1	Lever, Metering (Not Included Individually)
17		1	Pin (Not Included Individually)
18		1	Cover, Metering Chamber (Not Included Individually)
19		1	Spring, Adjust Screw (Not Included Individually)
20		1	Screw, Main Mixture (Not Included Individually)
21		1	Screw, Idle Mixture (Not Included Individually)
22		1	Screw, Throttle Adjust (Not Included Individually)
23		1	Spring, Friction (Not Included Individually)
24		1	Shaft Assembly, Choke (Not Included Individually)
25		1	Valve, Choke (Not Included Individually)
26		1	Screw, Pin (Not Included Individually)
27		1	Screw, Throttle/Choke Valve (Not Included Individually)
28		2	Screw, Metering Chamber (Not Included Individually)
29		1	Screw, Pump Cover (Not Included Individually)
30		1	Ball, Steel (Not Included Individually)
31		1	Collar (Not Included Individually)
32		1	Lever, Throttle (Not Included Individually)
33		1	Screw, Throttle Lever (Not Included Individually)
34		2	Washer, Limiter (Not Included Individually)
35	111216	2	Cap, Limiter, Hi
36	111217	1	Cap, Limiter, Lo
37		1	Retainer Limiter (Not Included Individually)
	301041		Carburetor Kit Repair RB-39
	301042		Gasket/Diaphragm GND-35

- 2
- 3
- 4
- 5
- 6
- 7
- 8
- 9
- 10
- 11
- 12
- 1—13
- 14
- 15
- 16
- 17
- 18
- 19
- 20
- 21
- 22
- 23



Ref #	Part Number	Qty	Description
1	224700	1	Brake Kit Asy, Grey (Choose appropriate color)
1	301558	1	Brake Kit Asy, Yellow (Choose appropriate color)
1	301557	1	Brake Kit Asy, Black (Choose appropriate color)
2	301650	1	Housing Kit Asy, Grey (Choose appropriate color)
2	301559	1	Housing Kit Asy, Yellow (Choose appropriate color)
2	301560	1	Housing Kit Asy, Black (Choose appropriate color)
3	216755	1	Latch, Chain Brake
4		1	Dowel, Spring
5		2	Pin, Dowel
6	301038	2	Lever, Brake Asy
7		1	Pin, Dowel
8	111226	1	Screw, 10-24 x .62 Tr H
9	323082	3	Guard, Hand Torx 3
10	224849	1	Roller
11	224847	1	Screw, Shoulder
12	224848	1	Stop, Brake
13	300294	1	Screw, 8-16 x .75 Tr Hd Plastite
14	301037	1	Band. Brake
15		1	Pin Spring (.125 x .50)
16	322204	1	Spring. Compression
17	218005	1	Nut, Square 10-24
18	300275	1	Shield
19	300271	1	Spacer Bar Pad
20	111101	1	Screw. 4-40 x 5/16 Taptite
21	322194	1	Seal, Foam
22	300299	2	Screw 8-16 x 1.0 Tr Hd Plastite
23	46703-41	1	Label Safety
24	322181	1	Spike Bucking (Optional accessory)



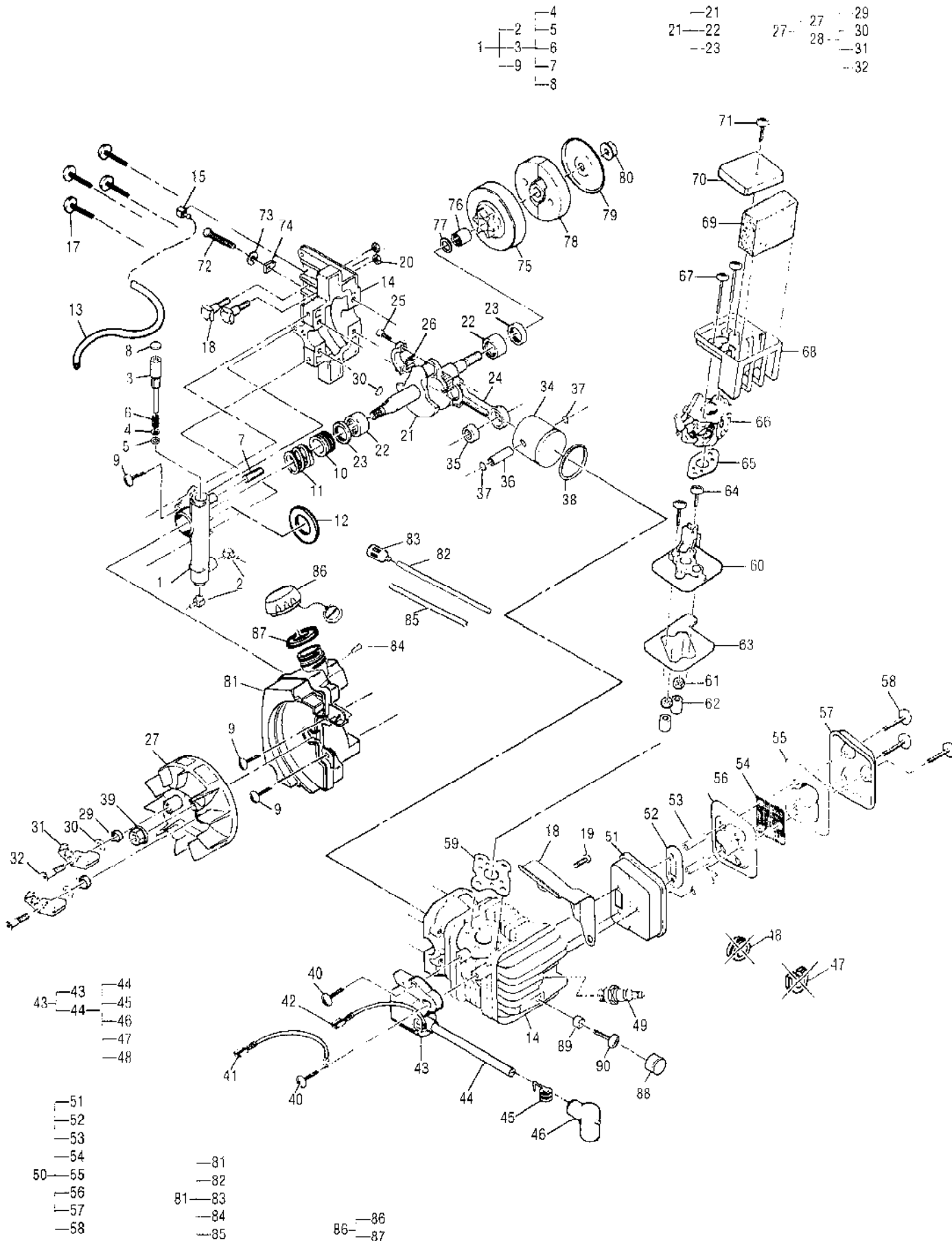
Ref #	Part Number	Qty	Description
1			Powerhead Asy (See "Powerhead Assembly" illustration and parts list)
2			Chain Brake Asy (See "Chain Brake Assembly" illustration and parts list)
3	300858	1	Starter Housing Asy, Grey (Choose appropriate color)
3	300264	1	Starter Housing Asy, Yellow (Choose appropriate color)
3	301078	1	Starter Housing Asy, Black (Choose appropriate color)
4	301651	1	Housing/Rope Guide Asy, Grey (Choose appropriate color)
4	301044	1	Housing/Rope Guide Asy, Yellow (Choose appropriate color)
4	301654	1	Housing/Rope Guide Asy, Black (Choose appropriate color)
5		1	Rope Guide (Not available individually)
6	300475	1	Spring, Starter Rewind
7	301043	1	Rope/Drum Asy (32cc)
8	300300	1	Rope, Starter
9	87851	1	Handle, Starter
10	223944	1	Bushing, Starter
11	300297	1	Washer, .19 ID x .68 OD
12	300294	1	Screw, 8-16 x .75 Torx Hd Plast
13	300294	4	Screw, 8-16 x .75 Torx Hd Plastite
14	300260	1	Oil Tank Asy
15	300289	1	Hose, Oil Pick-up
16	225062	1	Pickup, Oil
17	300256	1	Valve, Duckbill
18	300565	1	Oil Cap Asy w/Retainer
19	300269	1	Gasket, Oil Cap
20	300259	1	Filter, Foam
21	322195	1	Spacer, Oil Tank
22	300259	1	Filter, Foam
23	224242-02	1	Primer, Remote
24	300298	1	Hose
25	301049	1	Housing/Pin Asy, Right
26	111098	1	Pin. Roll 1/4 x 1.0 L
27	224821	1	Trigger Throttle
28	224822	1	Latch Throttle
29	224823	1	Spring, Torsional
30	111128	1	"O" Ring
31	224827	1	Rod, Throttle
32	111226	2	Screw 10-24 x .62 Tr Hd Torx Torque to 40-50 IN/LBS Loctite 262 required.
33	32394561	1	Engine Housing, Left, Blk
34	300294	7	Screw 8-16 x .75 Tr Hd. Plastite
35	224845	1	Contact, Ground
36	68846	1	Button, Stop Switch
37	223357	2	Screw 8-16 Plastite
38	224844	1	Contact, Ignition

Ref #	Part Number	Qty	Description
39	22483601	1	Handle, Front
40	218005	5	Nut, Square 10-24
41	300292	5	Retainer Nut
42	217936	1	Screw 10-24 x .75 Tr Torx
43	224830	1	Cover, Air Filter (Choose appropriate color)
43	322834	1	Cover, Air Filter, Grey (Choose appropriate color)
44	111099	2	Screw 10-24 x .625 Pn Hd Torx
45	22482601	1	Slide Choke
46	111226	4	Screw, 10-24 x .62 Tr Hd Torx

No
Diagram
Available

Parts List
Only

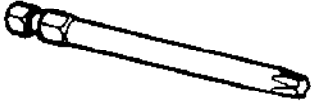

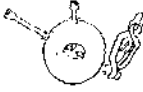

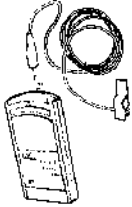
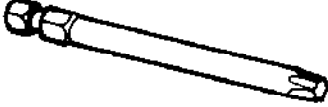
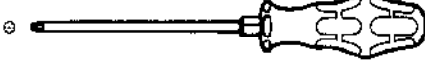
Ref #	Part Number	Qty	Description
	322235-02		LOCTITE KIT
	322236		RETAINING COMPOUND 620 (10 ml)
	322237		THREAD LOCKER 242 (10 ml)
	322238		GASKET ELIMINATOR 518 (50 ml)
	322239-01		BLACK MAX ADHESIVE 380 (1 oz)
	323749		THREAD LOCKER 262 (10 ml)
	323762		Anti-Seize Lubricant 767 (30 ml)



Ref #	Part Number	Qty	Description
1	301304	1	Oil Pump Asy
2	322182	2	Fitting
3	301084	1	Kit, Gear/Plunger Asy
4	110582	1	Washer
5		1	O-Ring (Not Available Individually)
6		1	Spring (Not Available Individually)
7		1	Pin, Dowel (Not Available Individually)
8	322187	1	Plug, Oil Pump Distributer Stocked. Medium to slow moving part.
9	111226	2	Screw, 10-24 x .62 Tr Hd Torx Torque to 30-40 IN/LBS Loctite 262 required.
10	224814	1	Worm Gear
11	224840	1	Spring, Compression
12	300295	1	Seal, Foam, Oil Pump
13	300288	1	Connecting Hose
14		1	Cyl/C'case/Bar Bolt Asy, 38cc (Not Available Individually)
15	83856-01	2	Bolt, Bar
16	300257	1	Fitting
17	111083	4	Screw, 12-24 x 1.0 Hx Wshr Hd
18	323923	1	Baffle, Air
19	111054	1	Screw, 10-24 x .625
20	110676	2	Nut, Hx 1/4-28 Flange
21	302140	1	Crankshaft/Bearing Asy
22	213282	2	Bearing, C'shaft
23	83859	2	Seal, C'shaft Oil
24		1	Connecting Rod/Bearing (Not Available Individually)
25	94654	2	Screw, Conn Rod
26	68095	1	Set, Roller Pins
27	302220	1	Flywheel/Pawl Asy
28	300763-01	2	Kit, Flywheel Pawls
29	216982	2	Spring, Starter Pawl
30	111131	2	Washer, Sp .469 OD x .222 ID
31		2	Pawls (Not Available Individually)
32	322721	2	Pin, Starter Pawl
33	102164	1	Key, Flywheel (Dealer stocked. Fast to medium moving part.)
34		1	Piston (Not Available Individually)
35		1	Bearing, Needle-Drawn Cup (Not Available Individually)
36	323943	1	Pin, Piston
37	111026	2	Ring, Snap
38		1	Piston, Ring (Not Available Individually)
39	110961	1	Nut, Hx 5/16-24 Torque to 180 IN/LBS
40	217936	2	Screw, Tr 10-24 x .75 Torx
41	300555	1	Wire Asy, Ground
42	300556	1	Wire Asy, Stop Switch
43	302138	1	Ignition Asy
44	223884	1	Kit, Plug Wire
45	102556	1	Connector
46	95266	1	Boot
47	110995	1	Grommet
48	215533-01	1	Grommet

Ref #	Part Number	Qty	Description
49	322208	1	Spark Plug RDJ7Y Torque to 150 IN/LBS
50	301045	1	Muffler Asy
51	300280	1	Body
52	300281	1	Plate, Reinforcing
53	300284	3	Spacer
54	300282	1	Baffle, Inner Muffler
55	300286	1	Screen, Spark Arrester
56	300283	1	Baffle, Outer
57	323637	1	Cover, Muffler
58	111093	3	Screw, 10-24 x 1.75 Tr Hd Torx Torque to 50 IN/LBS
59	300265	1	Gasket, Insulator
60	224820	1	Insulator, Carburetor
61	218315	2	Nut. Hx 10-24
62	322188	2	Spacer, Rubber
63	224850	1	Seal, Foam
64	217937	2	Screw Tr 10-24 x 1.00 Torx Torque to 30-40 IN/LBS Loctite 262 required.
65	300293	1	Gasket, Carburetor
66		1	Carburetor/Choke Asy (Not Available Individually), See "Carburetor Assembly" illustration and parts list.
67	218083	2	Screw Tr 10-24 x 2.0 Torx Torque to 30-40 IN/LBS Loctite 262 required.
68	224824	1	Box. Air Filter
69	224831	1	Filter, Air
70	224825	1	Shield Carburetor
71	111055	1	Screw 10-14 x .625 Plastite
72	223088	1	Screw, Adjusting
73	110907	1	Ring, Retaining
74	68656	1	Nut, Bar Adjusting
75	302768	1	Drum/Sprocket/Bearing Asy
76	91117	1	Bearing
77	215259	1	Washer Sprocket
78	301463	1	Kit, Clutch Asy
79	300276	1	Plate, Dust
80	111079	1	Nut, Clutch, 5/16-24 LH Torque to 180 IN/LBS
81	301834	1	Fuel Tank Asy
82	300289	1	Hose Fuel Pickup
83	216985	1	Filter Fuel
84	322199	1	Valve Duckbill
85	300290	1	Hose. Primer Retain
86	300564	1	Cap. Fuel Asy. w/Retainer
87	300267	1	Gasket. Fuel Cap
88	322200	1	Cover Cylinder
89	322201	1	Cover. Spacer
90	217936	1	Screw 10-24 x .75 Tr Torx
	301284		38cc Shortblock Asy.

SERVICE TOOLS

 <p>PN 111124 - T-27 Torx Dr 3.5 in.</p>	 <p>PN 217720 - Torx Dr Set</p>	 <p>PN 323330 Ignition Tester</p>	 <p>PN 215432-01 Pressure Test Tool</p>	 <p>PN 91424 Tachometer</p>
 <p>PN 222785 - T-25 Torx dr 3.5 in.</p>	 <p>PN 323754 - Torx Dr Set of 6 Bit Sizes: Tx 10,15,20,25,27,30</p>			

Ref #	Part Number	Qty	Description
111124	111124	1	T-27 Torx Dr., 3.5 in.
222785	222785	1	T-25 Torx Dr., 3.5 in.
217720	217720	1	Torx Dr Set
323754	323754	11	Torx Dr Set of 6 (Bit Sizes: Tx 10, 15, 20, 25, 27, 30)
323330	323330	1	Ignition Tester
21543201	215432-01	1	Pressure Test Tool
91424	91424	1	Tachometer