

# 10

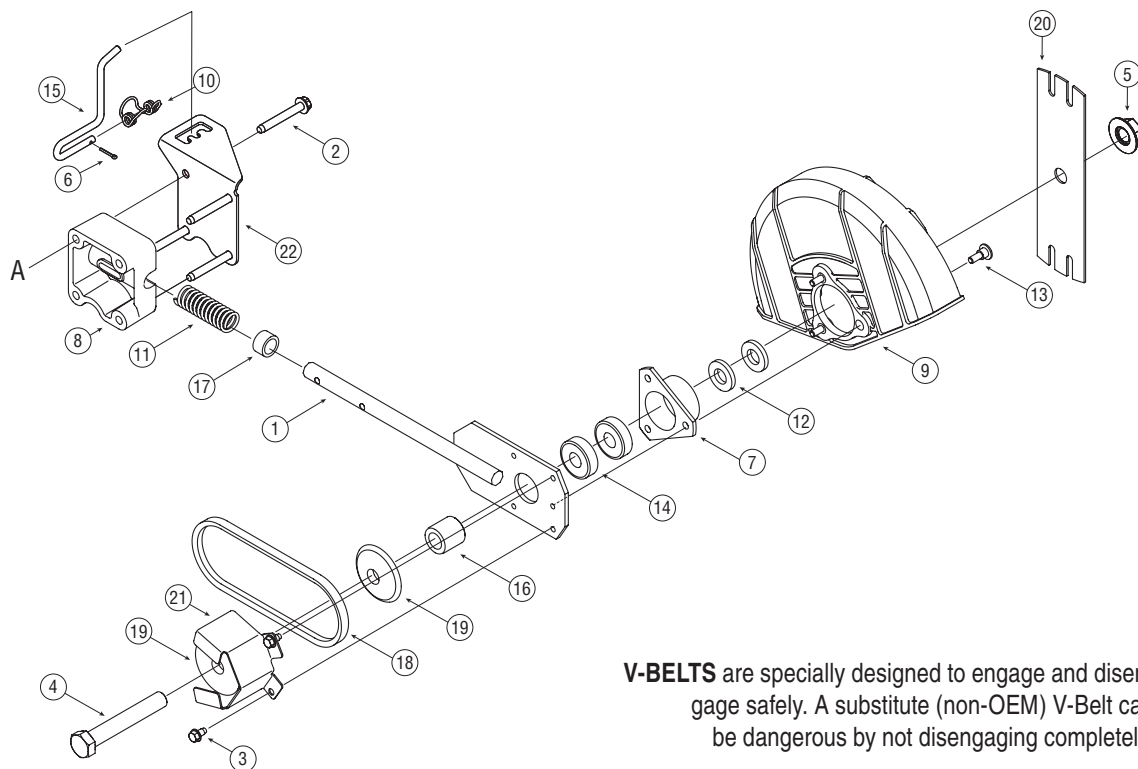
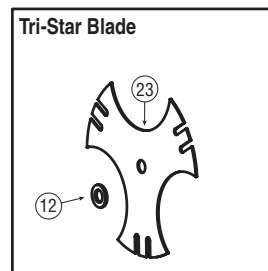
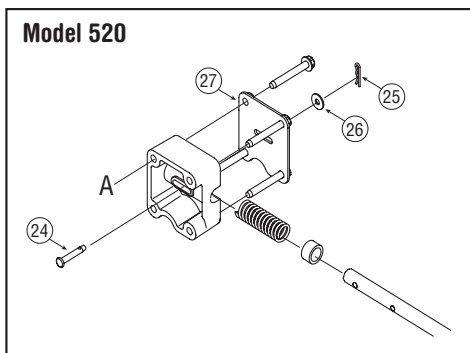
## Part List: Spindle Assembly Model 550 & 520



**PLEASE NOTE:** Edger features and components vary by model. NOT all parts listed here and pictured on this page are standard equipment.

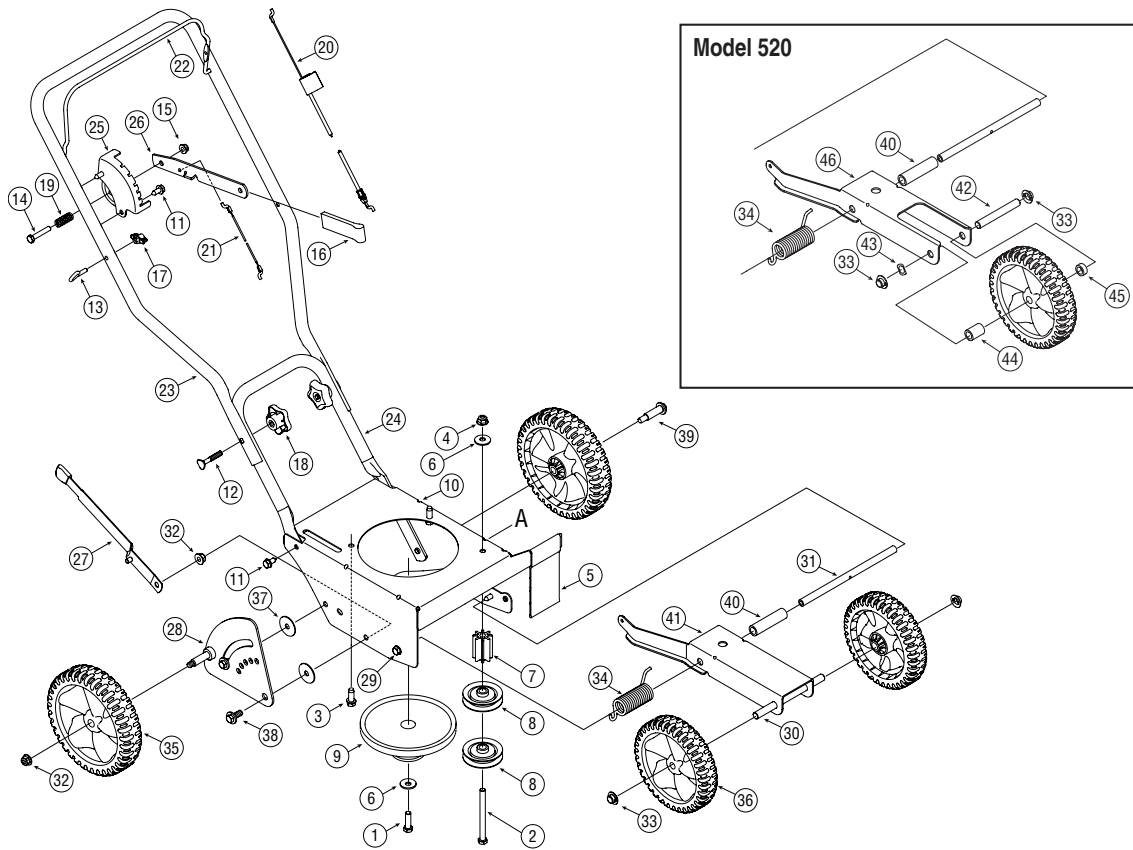
For parts and/or accessories please call 1-330-220-4683, or 1-800-800-7310

www.mtdproducts.com



**V-BELTS** are specially designed to engage and disengage safely. A substitute (non-OEM) V-Belt can be dangerous by not disengaging completely.

NO.	PART NUMBER	DESCRIPTION	REF	PART NUMBER	DESCRIPTION
1	687-02126	Blade Plate Assembly	15	747-04110	Blade Adjustment Rod
2	710-04389	Hex Screw, 5/16-18	16	750-04105	Spacer, .63 x 1.12 x 1.06
3	710-0599	Self-tapping Screw, 1/4-20	17	750-0547	Spacer, .64 x.88 x .50
4	710-1143A	Hex Screw, 5/8-18	18	754-04032B	Belt
5	712-0417A	Flange Nut, 5/8-18	19	756-0449	Sheave
6	714-3010	Cotter Pin 3/32 x .625	20	781-0080	Blade
7	718-04012	Bearing Cup	21	781-0427	Belt Guard
8	731-04207	Bearing Block	22	787-01081A	Cover Plate
9	731-05064	Blade Guard	23	781-0748	Tri-star Blade (Opt. Access.)
10	732-0188A	Double Torsion Spring	24	711-1017	Clevis Pin
11	732-04169	Compression Spring	25	714-0104	Cotter Pin
12	736-04088	Flat Washer .635x1.24x.181	26	736-0342	Flat Washer, .260 x.72
13	738-0706B	Shoulder Screw	27	787-01075A	Cover Plate
14	741-0524	Bearing, .625 ID x 1.57 OD			



# 10

## Part List: Handle/Frame/ Wheel Assembly Model 550 & 520



**PLEASE NOTE:** Edger features and components vary by model. NOT all parts listed here and pictured on this page are standard equipment.

*For parts and/or accessories please call 1-330-220-4683, or 1-800-800-7310*

[www.mtdproducts.com](http://www.mtdproducts.com)

NO.	PART NUMBER	DESCRIPTION	REF	PART NUMBER	DESCRIPTION
1	710-0191	Screw 3/8-24	24	749-04184	Lower Handle
2	710-0411	Screw 3/8-16	25	781-0741A	Depth Index Bracket
3	710-0654A	Screw, 3/8-16	26	781-0742	Depth Index Lever
4	712-04065	Flange Lock Nut, 3/8-16	27	687-02022	Curb Height Adjustment Lever
5	731-05063	Debris Guard	28	687-02125	Curb Height Adjuster Plate
6	736-0452	Bell Washer, .396 x 1.140	29	710-0759	Hex Screw 5/16 x 18
7	750-04142	Pulley Mount Spacer	30	711-04361	Axle Shaft .50x6.65
8	756-04148	Flat Idler Pulley, 2.5 OD	31	711-04392A	Frame Spacer .50x9.25
9	756-1150A	Combination Flywheel Pulley	32	712-04065	Flange Nut 3/8-16
10	787-01229	Frame	33	726-0299	Push Cap 1/2" rod
11	710-0726	Hex Screw, 5/16-12	34	732-04045	Torsion Spring
12	710-1174	Carriage Bolt, 5/16-18	35	734-1987	Wheel 8x1.8
13	710-1205	Rope Guide (Eye Bolt)	36	734-1988	Wheel 7x1.8
14	710-3180	Hex Screw, 5/16-18	37	736-0234	Flat Washer, .385 x 1.5 x .075
15	712-04063	Lock Flange Nut, 5/16-18	38	738-04149	Shoulder Screw, 3/8-16
16	720-0142	Grip	39	738-0929	Shoulder Screw, 3/8-16
17	720-0279	Wing Nut	40	750-04129	Spacer
18	720-04052	Hand Knob	41	787-01239	Dual Wheel Bracket
19	732-0369	Compression Spring	42	711-04362	Spacer
20	746-04035	Control Cable (Briggs & Stratton)	43	736-0232	Wave Washer
21	746-04036	Wheel Adjustment Cable	44	750-04427	Spacer, .525 x .775 x .1125
22	747-0976A	Blade Control	45	750-04428	Spacer, .525 x .775 x .3125
23	749-04183	Upper Handle	46	787-01240	Wheel Bracket