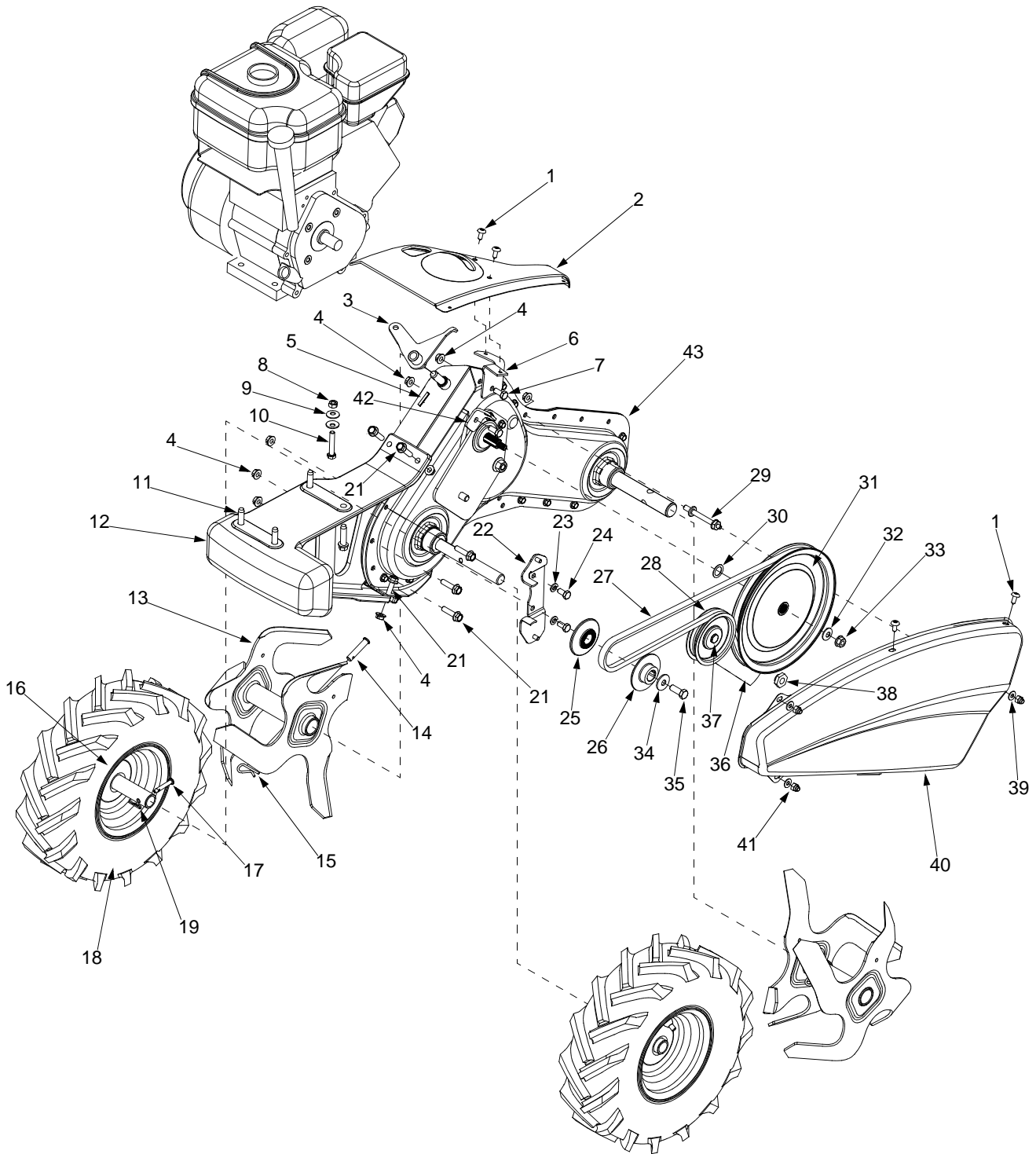


SECTION 8: PARTS LIST FOR MODEL SERIES 410 THRU 420



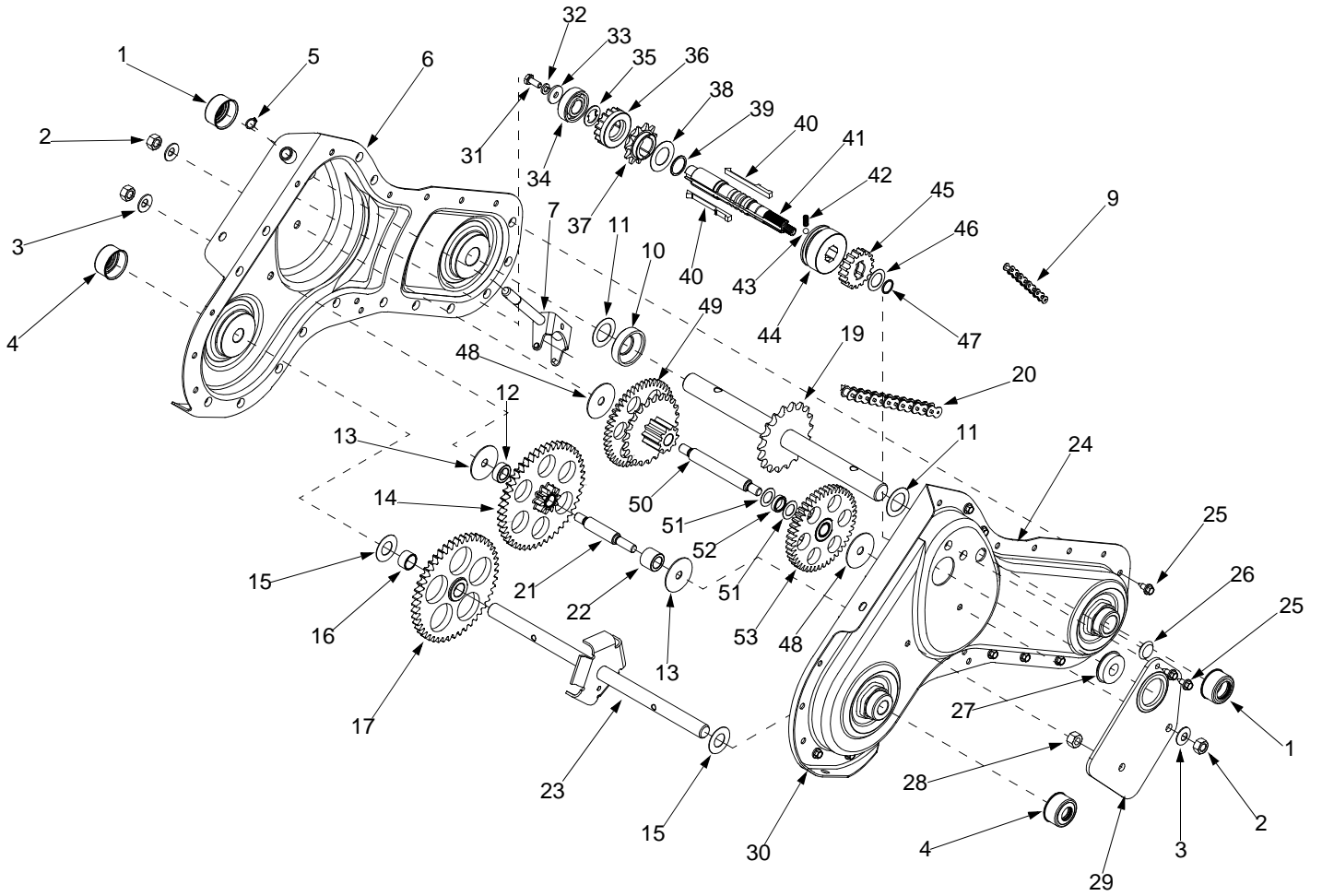
Model Series 410 thru 420

Ref. No.	Part No.	Part Description	Ref. No.	Part No.	Part Description
1.	710-1017	Hex Screw 1/4-20 x.625	19.	714-0104	Cotter Pin
2.	786-0101B	Shift Cover - Briggs & Stratton	21.	710-1090	Flange Screw 5/16-18 x 1.25
	786-0168	Shift Cover - Tecumseh	22.	686-0031A	Belt Keeper Bracket Ass'y
3.	686-0095	Crank Shift Assembly	23.	736-0119	Lock Washer 5/16
4.	712-3004A	Hex Lock Nut 5/16-18	24.	710-0237	Hex Cap Screw 5/16-24 x.625
5.	715-0120	Spiral Pin	25.	756-0971	Inner Pulley Half
6.	786-0117	Shift Cover Mounting Bracket	26.	756-0972	Outer Pulley Half
7.	710-3008	Hex Cap Screw 5/16-18 x.75	27.	754-0438	V-Belt
8.	712-3010	Hex Nut 5/16-18	28.	756-0405	Flat Idler
9.	736-0242	Bell Washer.340 ID x.872 OD	29.	738-0899	Bolt 5/16-18 x 1/4-28 x 2.35
10.	710-3180	Hex Cap Screw 5/16-18 x 1.75	30.	736-0256	Flat Washer.635 ID x.930 OD
11.	710-1007	Hex Washer Screw 3/8-16 x 1.5	31.	756-0634	Flat Pulley
12.	619-0009	Frame Counterweight	32.	736-0105	Spring Washer.401 ID x.870 OD
13.	642-0015	Tine Assembly - LH	33.	712-0379	Flange Lock Nut 3/8-24
	642-0016	Tine Assembly - RH	34.	736-0452	Bell Washer.396 ID x 1.140 OD
14.	711-0415	Clevis Pin	35.	710-0152	Hex Cap Screw 3/8-24 x 1.0
15.	714-0149B	Cotter Pin	36.	786-0080	Idler Bracket
16.	634-0240	Complete Wheel Ass'y - RH (14")	37.	710-0723	Hex Cap Screw 3/8-16 x 1.25
	634-0241	Complete Wheel Ass'y - LH (14")	38.	738-0876	Shoulder Nut 7/16-20
	634-0238	Complete Wheel Ass'y - RH (16")	39.	736-3020	Flat Washer.271 ID x.630 OD
	634-0239	Complete Wheel Ass'y - LH (16")	40.	786-0100	Belt Cover
17.	711-1017	Clevis Pin	41.	712-0392	Hex Lock Nut 1/4
18.	734-1796	Tire Only (14")	42.	786-0107	Cable Bracket
	734-0808	Tire Only (16")	43.	686-0094	Gear Case Assembly

IMPORTANT: For a proper working machine, use Factory Approved Parts.

V-BELTS are specially designed to engage and disengage safely. A substitute (non OEM) V-Belt can be dangerous by not disengaging completely.

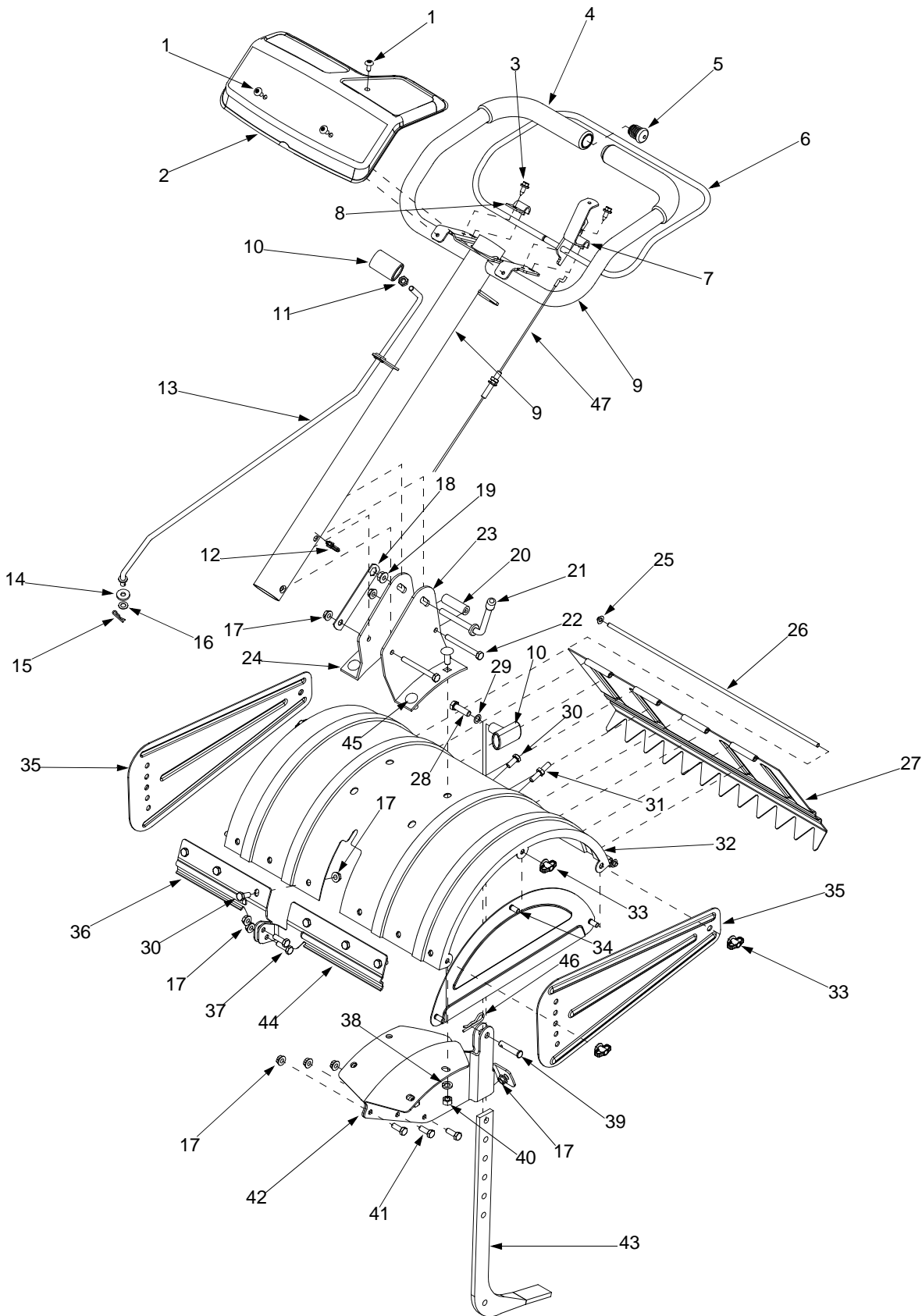
Model Series 410 thru 420



Model Series 410 thru 420

Ref. No.	Part No.	Part Description	Ref. No.	Part No.	Part Description
1.	721-0378	Shaft Seal 1.0 Dia	29.	786-0086	Reinforcement Bracket
2.	712-0378	Hex Nut 7/16-20	30.	721-0295	Chain Case Gasket
3.	736-0407	Bell Washer.45 ID x 1.0 OD	31.	710-0258	Hex Cap Screw 1/4-20 x.625
4.	721-0379	Shaft Seal.75 Dia	32.	736-0329	Lock Washer 1/4
5.	716-0865	Snap Ring.50 Dia	33.	736-0512	Flat Washer.281 ID x.875 OD
6.	686-0038	Gear Case Assembly - RH Half	34.	741-0124	Ball Bearing
7.	618-0245B	Shift Assembly	35.	736-0541	Flat Washer
9.	713-0233	Chain - #41 1/2" Pitch x 30 Links	36.	717-1451A	Spur Gear 16T
10.	750-0570	Space 1.0 ID x 2.0 OD	37.	713-0435	Sprocket 11T #41 Chain
11.	736-0163	Thrust Washer 1.03 ID x 1.62 OD	38.	736-0265	Flat Washer.88 ID x 1.50 OD
12.	750-0936	Spacer.635 ID x 1.0 OD	39.	716-0235	Retainer Ring
13.	736-0518	Thrust Washer.445 ID x 1.92 OD	40.	718-0237	Clutch Key
14.	617-0004	Idler Gear Assembly	41.	711-1087	Drive Shaft
15.	736-0351	Flat Washer.760 ID x 1.50 OD	42.	732-0863	Compression Spring
16.	750-0938	Spacer.735 ID x.886 OD	43.	741-0862	Detent Ball
17.	717-1458	Spur Gear 46T	44.	718-0234	Clutch Collar
19.	611-0021	Tine Shaft Assembly 18T	45.	717-1409	Spur Gear 17T
20.	713-0226	Chain - #50 5/8" Pitch x 52 Links	46.	736-0442	Flat Washer.69 ID x 1.06 OD
21.	738-0885	Jack Shaft 5/8 Dia. X. 2.06 Lg	47.	732-0614	Wire Ring
22.	750-0935	Spacer.635 ID x 1.0 OD	48.	736-0518	Thrust Washer.445 ID x 1.9 OD
23.	611-0058	Wheel Shift Assembly	49.	611-0016	Intermediate Gear Assembly
24.	686-0039	Gear Case Assembly - LH Half	50.	738-0884	Jack Shaft
25.	710-0896	Hex Washer Screw 1/4-14 x.625	51.	736-0336	Flat Washer.625 ID x 1.0 OD
26.	726-0331	Plug	52.	750-0931	Spacer.635 ID x.86 OD
27.	741-0563	Ball Bearing w/Snap Ring	53.	617-0003	Tine Drive Assembly
28.	712-3067	Hex Patch L-Nut 7/16-20			

Model Series 410



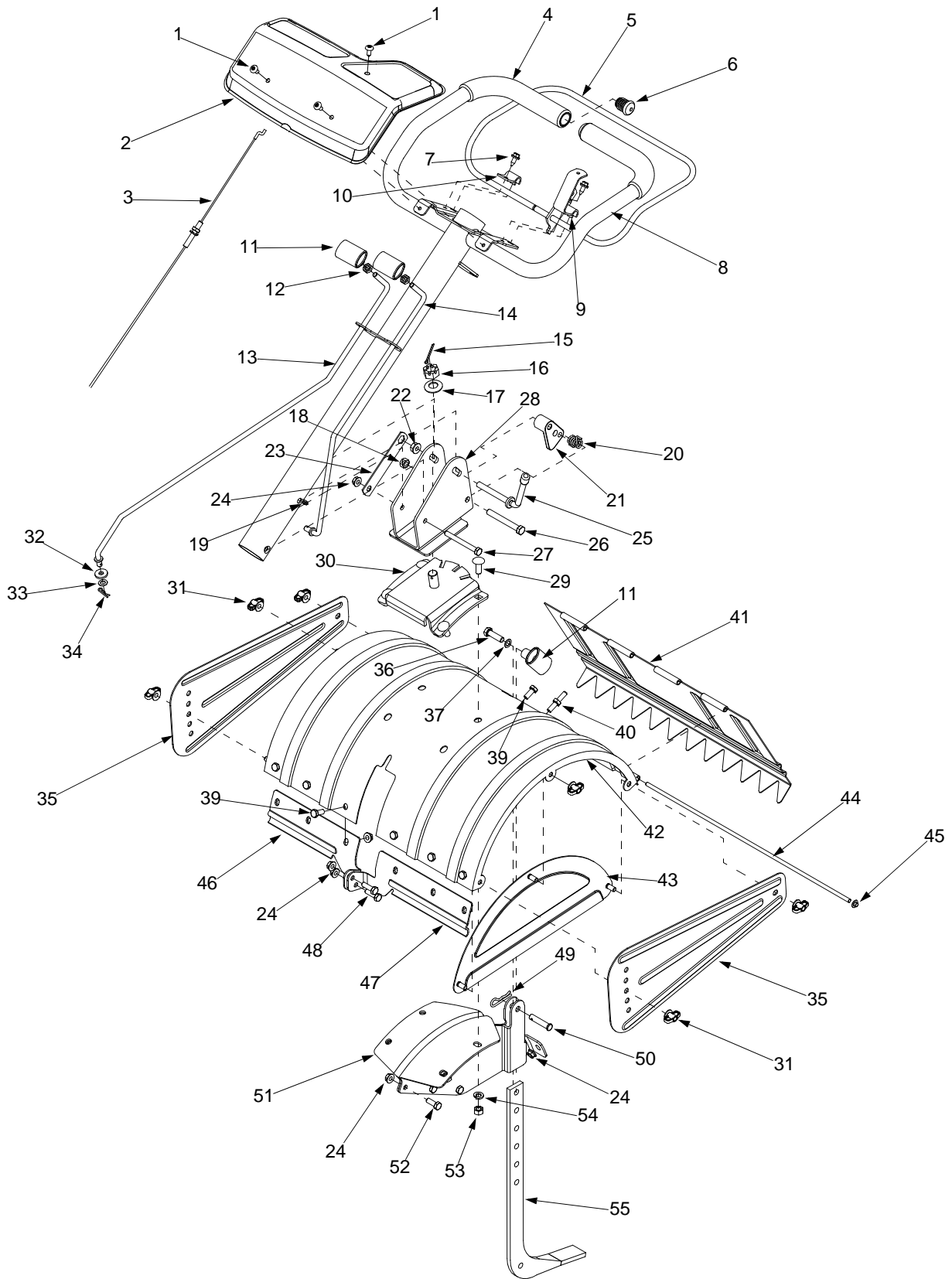
Model Series 410

Ref. No.	Part No.	Part Description	Ref. No.	Part No.	Part Description
1.	710-1017	Tap Screw 1/4-14 x.625	25.	726-0106	Cap Nut
2.	786-0131	Handle Cover w/o Throttle	26.	747-0432	Rod
3.	710-0896	Hex Washer Screw 1/4-14 x.625	27.	786-0113	Rear Tine Shield Flap
4.	720-0278A	Foam Grip	28.	710-3005	Hex Cap Screw 3/8-16 x 1.25
5.	735-0246	End Plug	29.	736-0117	Flat Washer.375 ID x.620 OD
6.	647-0014	Clutch Control Assembly	30.	710-3008	Hex Cap Screw 5/16-18 x.75
7.	786-0118	Return Bracket - LH	31.	738-0849	Hex Screw 5/16-18 x.75
8.	786-0098	Return Bracket - RH	32.	786-0085	Tine Shield
9.	649-0017	Handle Assembly	33.	712-0421	Wing Nut
10.	720-0210A	Knob	34.	686-0044A	End Cover Assembly
11.	712-3008	Jam Nut 3/8-16	35.	786-0090	Side Shield
12.	726-0330	Cable Clip	36.	786-0076	Shield Bracket RH
13.	747-0902	Shift Control	37.	710-0376	Hex Cap Screw 5/16-18 x 1.0
14.	735-0127	Rubber Washer.33 ID x.87 OD	38.	736-0169	Lock Washer 3/8
15.	714-0104	Cotter Pin	39.	711-0415	Clevis Pin
16.	736-0204	Flat Washer.344 ID x.62 OD	40.	712-0798	Hex Nut 3/8-16
17.	712-3004A	Hex Flange Lock Nut 5/16-18	41.	710-3038	Hex Cap Screw 5/16-18 x.875
18.	784-0191	Retainer Bracket	42.	686-0043A	Tine Shield Bracket Assembly
19.	712-0379	Flange Lock Nut 3/8-24	43.	786-0120	Depth Stake
20.	750-0885A	Spacer.322 ID x.625 OD	44.	786-0077	Shield Bracket - LH
21.	784-0190	Handle Adjustment Crank	45.	710-3097	Carriage Bolt 3/8-16 x 1.0
22.	710-0189	Hex Screw 5/16-18 x 3.0	46.	714-0147	Cotter Pin
23.	786-0109	Handle Mounting Bracket - LH	47.	746-0916	Clutch Cable
24.	786-0108	Handle Mounting Bracket - RH			

NOTE: For **painted parts**, please refer to the list of color codes below. Please add the applicable color code, wherever needed, to the part number to order a replacement part. For instance, if a part numbered 700-xxxx is painted Oyster Gray, the part number to order would be 700-xxxx-0662.

Black — 0691; Black, Powder — 0637; Blue, Midnight — 0667; Charcoal — 0483; Grey — 0648;
 Grey, Oyster — 0662; Orange — 0606; Red — 0650; Red, MTD — 0638; Silver — 0629; Yellow — 0674.

Model Series 420



Model Series 420

Ref. No.	Part No.	Part Description	Ref. No.	Part No.	Part Description
1.	710-1017	Tap Screw 1/4-14 x.625	28.	686-0048	Handle Pivot Bracket Assembly
2.	786-0131	Handle Cover w/o Throttle	29.	710-3097	Carriage Bolt 3/8-16 x 1.0
3.	746-0916	Clutch Cable	30.	686-0071	Handle Bracket Assembly
4.	720-0278A	Foam Grip	31.	712-0421	Wing Nut
5.	647-0014	Clutch Control Assembly	32.	735-0127	Rubber Washer.33 ID x.87 OD
6.	735-0246	End Plug	33.	736-0204	Flat Washer.344 ID x.62 OD
7.	710-0896	Hex Washer Screw 1/4-14 x.625	34.	714-0104	Cotter Pin
8.	649-0016	Handle Assembly	35.	786-0090	Side Shield
9.	786-0118	Return Bracket - LH	36.	710-3005	Hex Cap Screw 3/8-16 x 1.25
10.	786-0098	Return Bracket - RH	37.	736-0117	Flat Washer.375 ID x.620 OD
11.	720-0210A	Knob	39.	710-3008	Hex Cap Screw 5/16-18 x.75
12.	712-3008	Jam Nut 3/8-16	40.	738-0849	Hex Screw 5/16-18 x.75
13.	747-0902	Shift Control	41.	786-0113	Rear Tine Shield Flap
14.	747-0901	Handle Adjustment Rod	42.	786-0085	Tine Shield
15.	714-3021	Cotter Pin	43.	686-0044A	End Cover Assembly
16.	712-0386A	Slotted Hex Nut 5/8	44.	747-0432	Rod
17.	736-0317	Bell Washer.64 ID x 1.25 OD	45.	726-0106	Cap Nut
18.	712-0375	Hex Lock Nut 3/8-16	46.	786-0076	Shield Bracket RH
19.	726-0330	Cable Clip	47.	786-0077	Shield Bracket - LH
20.	732-0493	Torsion Spring	48.	710-0376	Hex Cap Screw 5/16-18 x 1.0
21.	748-0375	Handle Swing Link	49.	714-0147	Cotter Pin
22.	712-0379	Flange Lock Nut 3/8-24	50.	711-0415	Clevis Pin
23.	784-0191	Retainer Bracket	51.	686-0043A	Shield Tine Bracket Assembly
24.	712-3004A	Hex Flange Lock Nut 5/16-18	52.	710-3038	Hex Cap Screw 5/16-18 x.875
25.	784-0190	Handle Adjustment Crank	53.	712-0798	Hex Nut 3/8-16
26.	710-0521	Hex Cap Screw 3/8-16 x 3.0	54.	736-0169	Lock Washer 3/8
27.	710-0189	Hex Cap Screw 5/16-18 x 3.0	55.	786-0120	Depth Stake

NOTE: For **painted parts**, please refer to the list of color codes below. Please add the applicable color code, wherever needed, to the part number to order a replacement part. For instance, if a part numbered 700-xxxx is painted Oyster Gray, the part number to order would be 700-xxxx-0662.

Black — 0691; Black, Powder — 0637; Blue, Midnight — 0667; Charcoal — 0483; Grey — 0648;
 Grey, Oyster — 0662; Orange — 0606; Red — 0650; Red, MTD — 0638; Silver — 0629; Yellow — 0674.