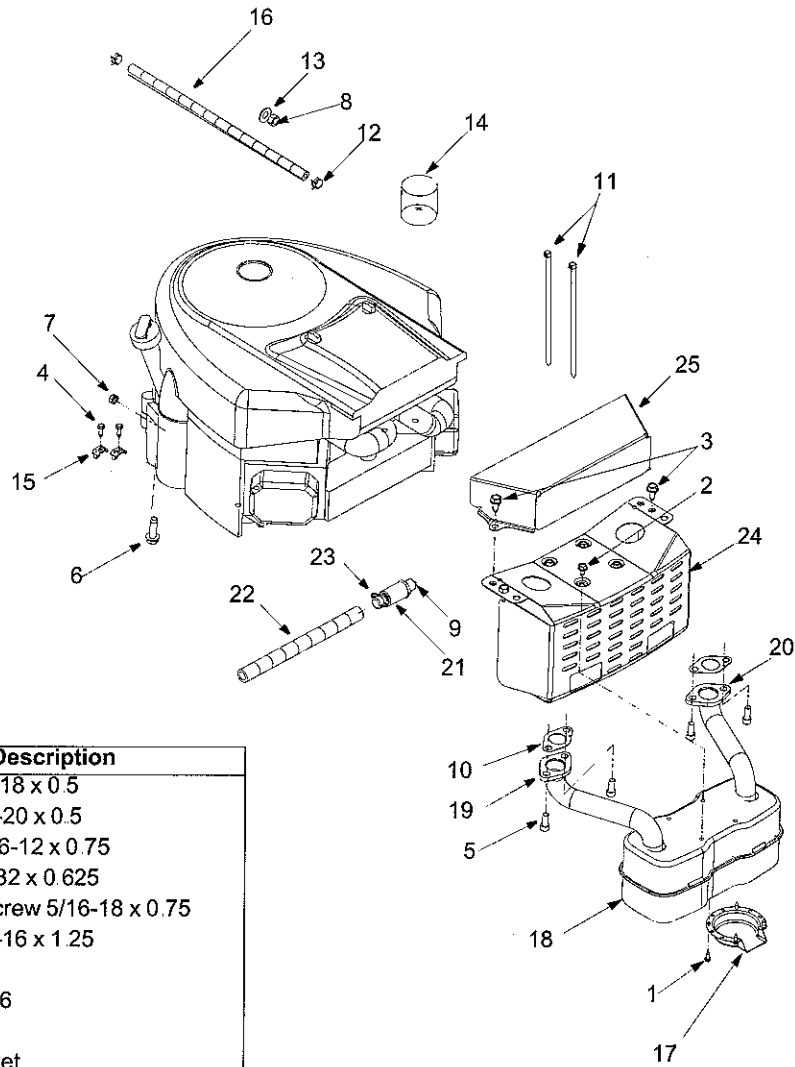
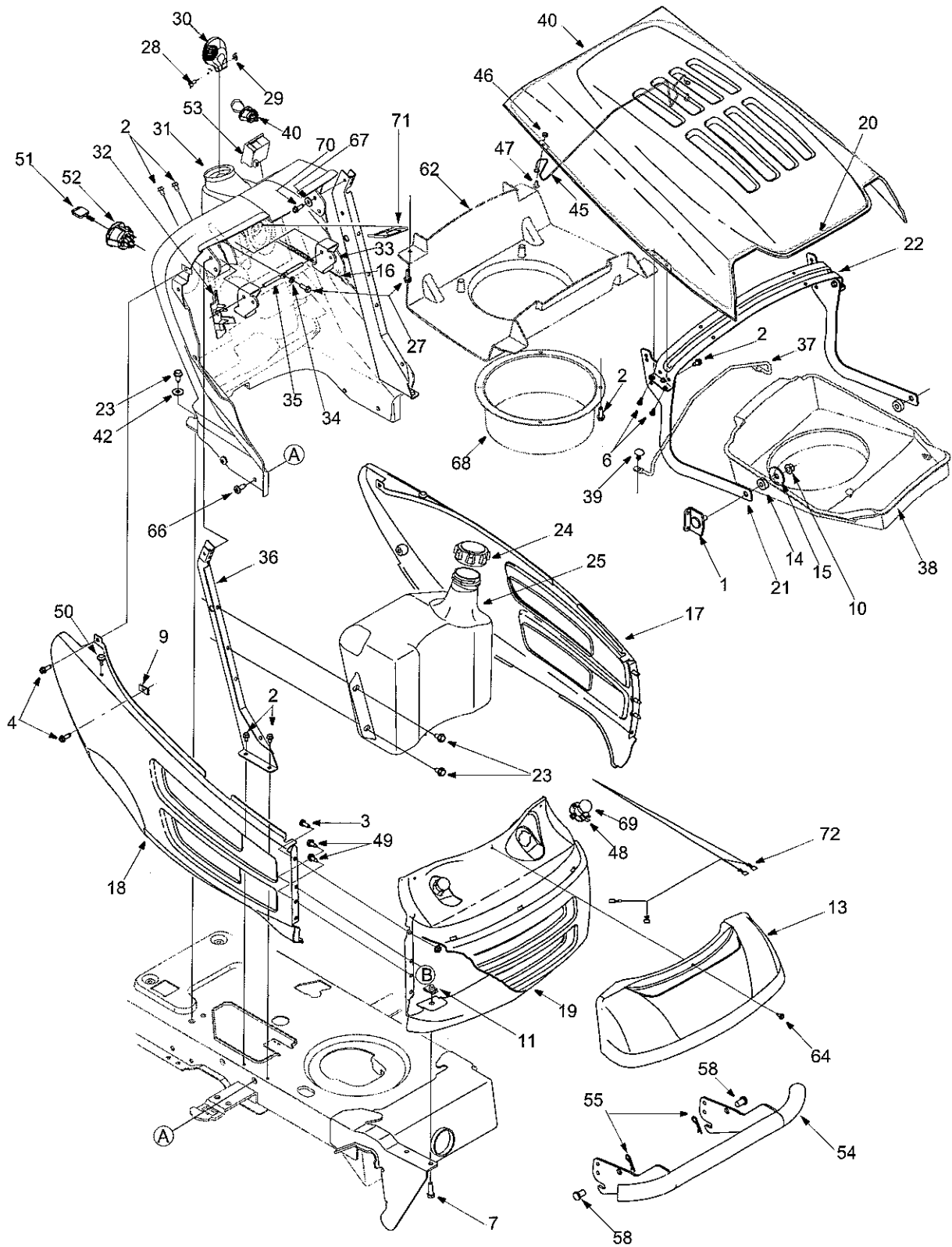


SECTION 8: PARTS LIST FOR MODEL 608P



Ref. No.	Part No.	Description
1	710-0227	AB Screw #8-18 x 0.5
2	710-0599	TT Screw 1/4-20 x 0.5
3	710-0726	AB Screw 5/16-12 x 0.75
4	710-1237	T Screw #10-32 x 0.625
5	710-1314A	Socket Hd. Screw 5/16-18 x 0.75
6	710-1315	TT Screw 3/8-16 x 1.25
7	712-0271	Sems Nut
8	712-3017	Hex Nut 3/8-16
9	721-0331	Pipe Sealant
10	721-0460	Exhaust Gasket
11	725-0157	Cable Tie
12	726-0205	Hose Clamp
13	736-0300	Flat Washer
14	737-0169	Oil: SAE 30W
15	751B221535	Clamp: Casing
16	751-0535	Fuel Line Hose
17	751-0564A	Muffler Deflector
18	751-0616A	Dual Inlet Muffler
19	751-0650A	Exhaust Pipe RH
20	751-0651A	Exhaust Pipe LH
21	751-3140	Oil Drain
22	751-3141	Hose Extension: Oil Drain
23	751-3142	Oil Drain Cap
24	783-0615C	Muffler Bracket
25	783-0625C	Heat Shield
26	783-0726B	Pivot Support Bracket RH

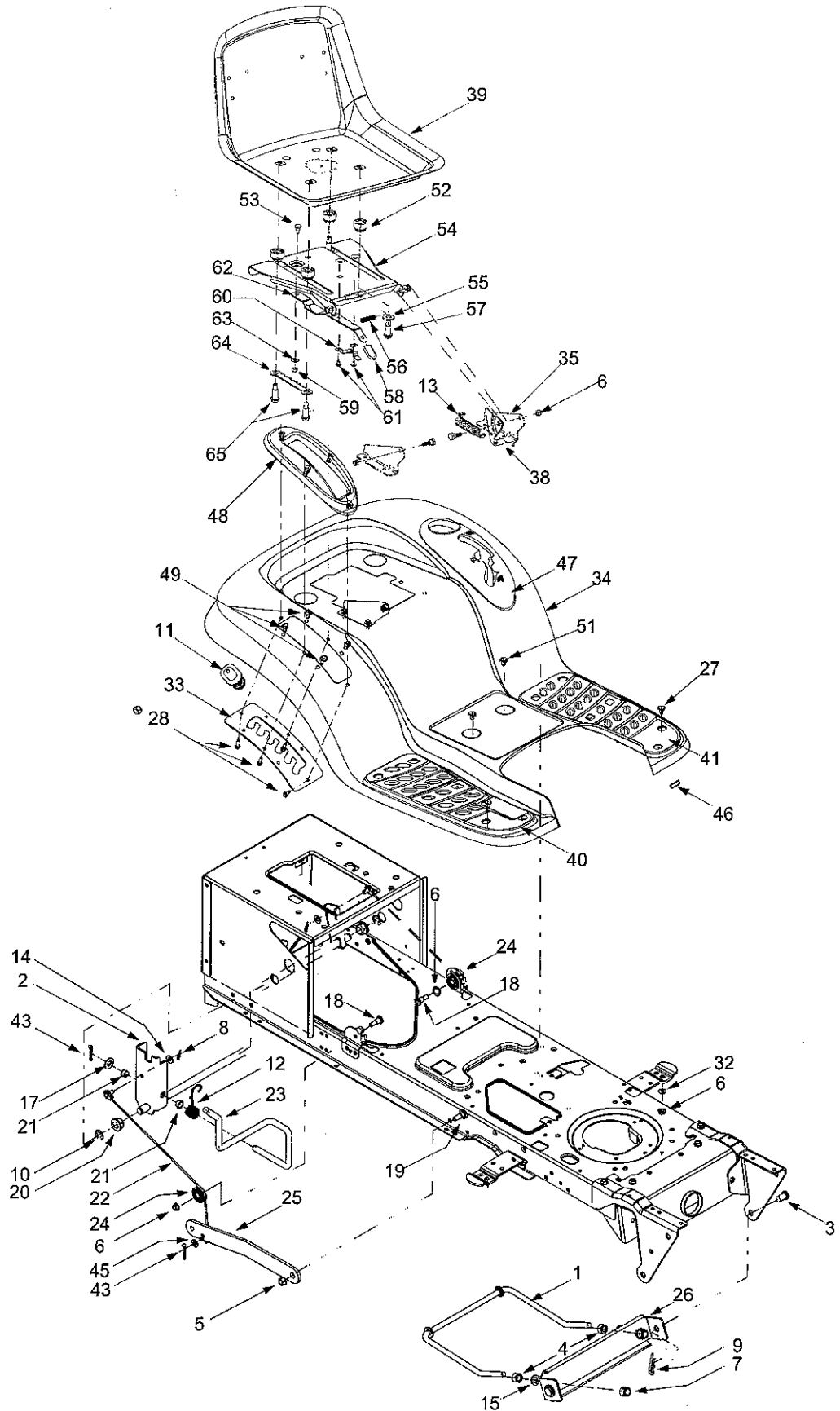
Model 608P



Model 608P

Ref. No.	Part No.	Description	Ref. No.	Part No.	Description
1	683-0195	Bracket Assembly	36	783-04285	Dash Support Plate RH
2	710-0599	Self-tapping Screw, 1/4-20 x .5		783-04323	Dash Support Plate LH
3	710-0751	Hex Cap Screw, 1/4-20 x .62	37	747-1184	Hood Plenum Support Rod
4	710-0924	Phillips Pan Screw, 1/4-20 x .75	38	731-2247A	Hood Plenum
6	710-0351	Screw, #10-16 x .5	39	726-3046	Ratchet Clip
7	710-0376	Hex Cap Screw, 5/16-18 x 1.0	40	725-1752	PTO Switch
8	712-0271	Hex Sems Nut, 1/4-20	42	736-3078	Flat Washer, .349 x 1.0 x .063
9	712-0292	U-type Speed Nut, 1/4-20	45	747-1215A	Hood Latch
10	712-0431	Flange Lock Nut, 3/8-16	46	712-0272	Hex Sems Nut, #10-32
11	726-0211	U-nut, 5/16-18	47	710-0473	Machine Screw, #10-24
13	731-1854A	Headlight Lens	48	725-1649	Headlight Socket
14	735-0126	Rubber Washer, 87 x .33	49	710-0896	Hex Index Washer Scr., 1/4-14 x .0625
15	736-3039	Flat Washer, .406 x 1.5 x 11GA	50	735-0199A	Rubber Bumper
16	746-1085	Choke Knob/Cable	51	725-1745	Ignition Key w/ plastic cover
17	783-0475B	LH Side Panel	52	725-1741	Ignition Switch
18	783-0476C	RH Side Panel	53	725-1976	Systems Ind. Monitor w/ Hour Meter
19	783-0477A	Grill	54	768-0010B	Bumper
20	783-0478A	Hood	55	714-0145	Click Pin
21	783-1495	Hood Hinge Bracket	58	711-0332	Clevis Pin, 50 x .78
22	783-0553A	Hood Support Bracket	59	768-0010A	Bumper Assembly
23	710-0604A	Self-tapping Screw, 5/16-18 x .625	60	714-0145	Internal Cotter Pin
24	751-0658E	Fuel Tank, Three Gallon	61	731-2300	Hood, Red
25	751-0603	Fuel Cap	62	731-2306	Hood Plenum
26	710-0809	Self-tapping Screw, 1/4-20 x 1.25	64	710-0456	Hex Screw, #10 x .50
27	710-0895	Self-tapping Screw, 1/4-15 x .75	66	710-1611B	Screw, 5/16-18 x .75
28	710-3217	Truss Phillips Screw, #8-32 x .375	67	736-0270	Bell Washer, .265 x .75 x .062
29	712-0142	Hex Nut, #8-32	68	731-2232	Intake Bellow
30	731-1857	Throttle Control Knob	69	725-0963	Lamp
31	731-2225C	Dash Panel	70	710-0642	Self-tapping Screw, 1/4-20 x .75
32	731-2226	Cruise Control Button	71	783-0462	Bracket: Elec. PTO Switch
33	731-2227	Parking Brake Button	72	629-0309	Headlight Wire Harness
34	736-0142	Flat Washer, 9/32 x 1/2 x 1/16	—	629-1067	Tractor Wire Harness
35	747-1196	Brake/Cruise Pivot Rod			

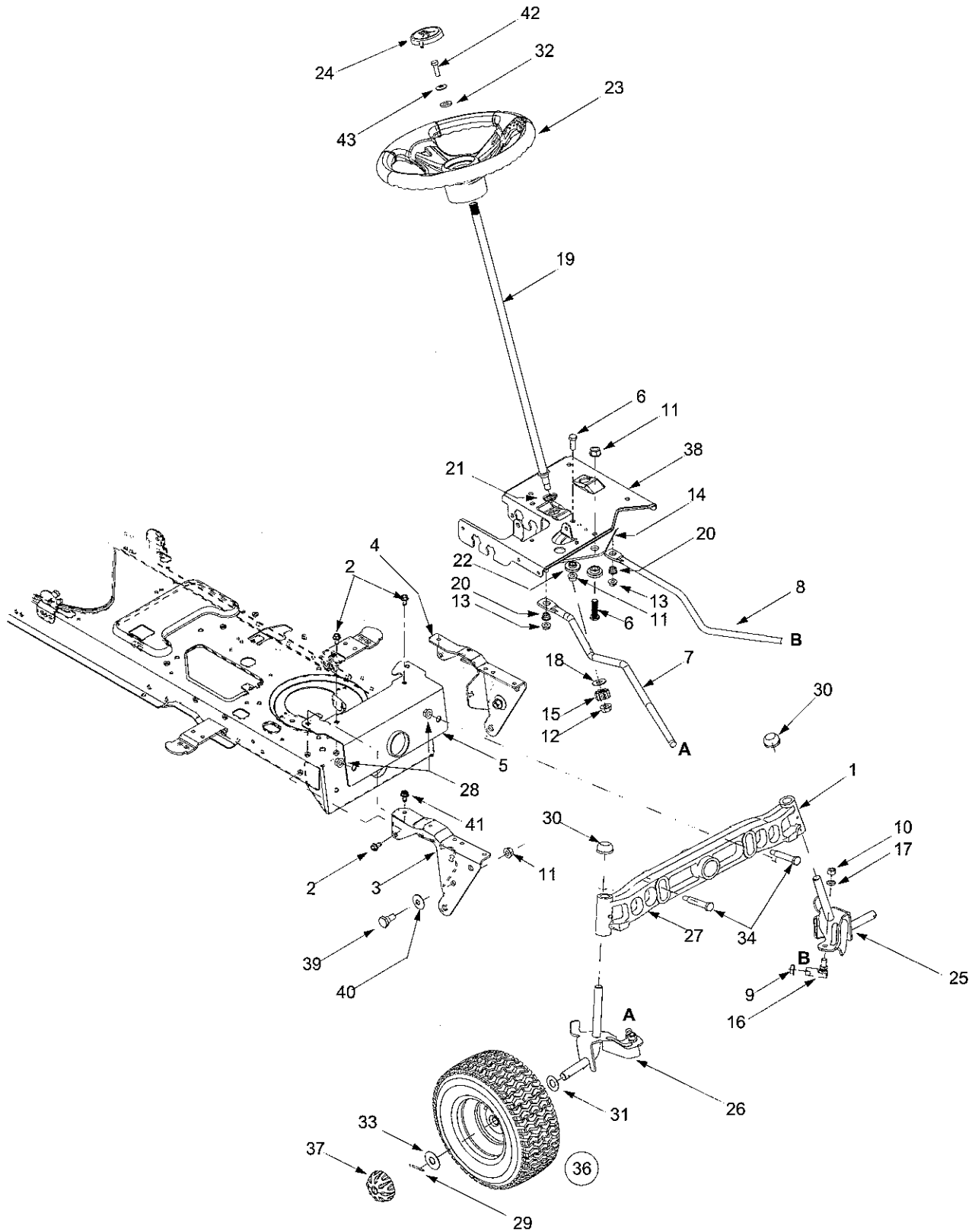
Model 608P



Model 608P

Ref. No.	Part No.	Description	Ref. No.	Part No.	Description
1	747-1130B	Deck Stabilizer Rod	35	783-1489	Seat Mounting Bracket
2	683-0197B	Lift Shaft Assembly	37	726-0201	Speed Clip
3	711-0332	Clevis Pin, .5 x .78	38	783-0209A	Seat Lift Bracket
4	712-0206	Hex Nut, 1/2-13	39	757-04003	Seat: High Back
5	712-0431	Flange Lock Nut, 3/8-16	40	735-0672	Foot Pad RH, Rubber
6	712-0429	Flange Lock Nut, 5/16-18		723-0484	Foot Pad RH, Grit
7	712-3083	Hex Nut, 1/2-13	41	735-0673	Foot Pad LH, Rubber
8	714-0104	Internal Cotter Pin		735-0483	Foot Pad LH, Grit
9	714-0145	Internal Cotter Pin	42	726-3046	Foot Pad Clips
10	716-0106	E-Ring	43	714-0111	Cotter Pin
11	720-0311	Handle Grip	45	736-0204	Flat Washer, .344 x .62
12	732-0874	Torsion Spring	46	731-0511	Trim Strip
13	732-1184	Extension Spring, .84 x 4.6	47	731-1990	Lift Lever Cover
14	736-0275	Flat Washer, 5/16	48	731-2104B	Shift Lever Cover w/ Cup Holder
15	736-0921	Lock Washer, 1/2	49	710-0895	Self-Tapping Screw, 1/4-15 x .75
16	736-3019	Flat Washer, .531 x 1.062 x .134	51	710-0599	TT Screw, 1/4-20 x 0.5
17	736-3084	Flat Washer, .51 x 1.12 x .06	52	731-04074	Spacer: Seat Adjustment
18	738-0138A	Hex Cap Screw, 5/16-18 x .62	53	738-0137A	Shoulder Screw 1/4-20
19	738-0143	Shoulder Screw, 3/8-16	54	783-0738A	Seat Bracket
20	741-0225	Hex Flange Bearing	55	736-3019	Flat Washer
21	741-0715	Snap Flange Bearing	56	732-0499	Compression Spring
22	746-0968	Lift Cable, 16.16	57	738-0966	Shoulder Screw 3/8-16
	746-1144	Lift Cable, 15.62	58	720-0309A	Grip: Seat Adjustment
23	747-1111A	Lift Handle	59	712-0324	Lock Nut 1/4-20
24	756-1154	Roller Pulley	60	783-0611	Seat Stop
25	783-0678A	Lift Arm	61	710-1268	B Screw #10-16 x 0.375
26	783-0720A	Deck Stabilizer Bracket	62	783-0739	Seat Lever
27	710-0260A	Carriage Bolt, 5/16 x .62	63	736-0275	Flat Washer
28	710-0604A	Self-tapping Screw, 5/16-18 x .625	64	783-0753	Seat Adjustment Selector
32	736-3078	Flat Washer, .349 x 1.0 x .063	65	738-0966	Shoulder Screw 3/8-16
33	783-1010A	Lift Adjustment Bracket	66	710-0870	Hex Washer Hd. Screw
34	783-04333	Fender			

Model 608



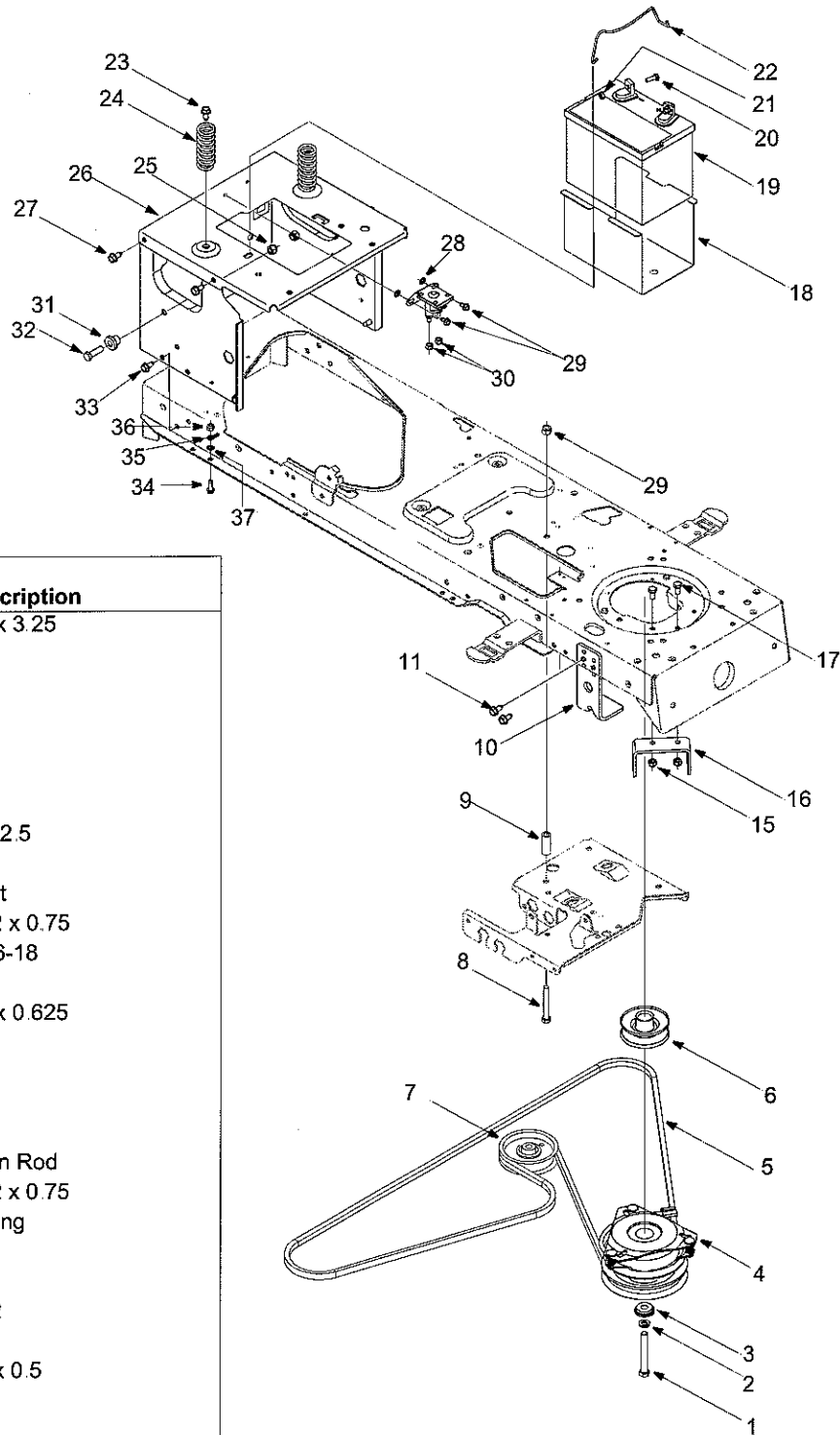
Model 608

Ref. No.	Part No.	Description	Ref. No.	Part No.	Description
1	719-0525C	Pivot Bar: Axle	25	683-04003	LH Axle Assembly, .750 Diameter
2	710-0604A	Self-tapping Screw, 16-18 x .625	26	683-04004	RH Axle Assembly, .750 Diameter
3	783-0726B	RH Pivot Support Bracket	27	719-0525C	Steel Pivot Bar
4	783-0727A	LH Pivot Support Bracket	28	712-0130	Lock Nut, 3/8-16
5	783-0728	Pivot Bar Bracket	29	714-0162	Cotter Pin
6	710-0723	Hex Cap Screw, 3/8-16 x 1.25	30	726-0214	Push Cap, .625
7	711-1408	RH Drag Link	31	736-0316	Flat Washer, .64 x 1.0 x .12
8	711-1409A	LH Drag Link	32	736-3004	Flat Washer, .406 x .875 x .105
9	712-0240	Jam Nut, 7/16-20	33	736-0285	Flat Washer, .635 x 1.589 x .06
10	712-0214	Hex Nut, 3/8-24	34	738-1011	Shoulder Screw, .5 x 2.2, 3/8-16
11	712-0130	Lock Nut, 3/8-16	36	634-04087	Wheel Assembly
12	712-0459	Flange Lock Nut, 7/16-20	—	634-04081	Rim Assembly Only
13	712-0429	Lock Nut, 5/16-18	—	734-0255	Air Valve (Not Shown)
14	717-1550E	Steering Gear, 11/90 Ratio	—	734-04040	Tire Only, Square Shoulder
15	717-1554	Steering Pinion Gear	—	737-0224	Grease Fitting (Not Shown)
16	723-0448A	Ball Joint, 7/16-20	—	741-3032	Ball Bearing (Not Shown)
18	736-3084	Flat Washer, .51 x 1.12 x .06	37	734-2290A	Deluxe Hub Cap
19	738-1001A	Steering Shaft, .625 OD x 24.4	38	783-0653F	Steering Support Bracket
20	741-0475	Plastic Bushing, .38 ID	39	738-0143	Shoulder Screw, 3/8-16
21	741-0656	Hex Flange Bearing, 5/8	40	736-0331	Bell Washer, .39 x 1.13 x .062
22	738-0372B	Shoulder Spacer, .38 ID	41	710-1260A	Self-tapping Screw, 5/16-18 x .75
23	631-2624	Steering Wheel	42	710-0643	Hex Bolt, 5/16-18 X 1
24	731-2625	Steering Wheel Cap, Round	43	736-0242	Bell Washer

Model 608

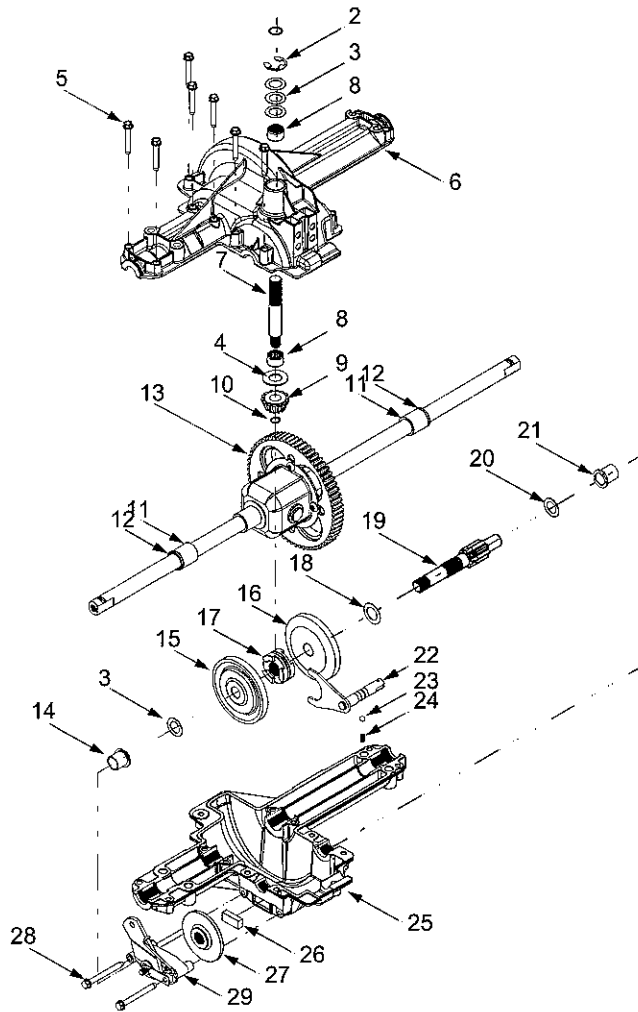
Ref. No.	Part No.	Description	Ref. No.	Part No.	Description
1	17840	Mounting Bracket	45	710-1611B	TT Screw 5/16-18 x 0.75
2	618-04133	Drive Assembly	46	711-04159	Pin
3	618-04147	Variable Spd. Pulley Assembly	47	712-0130	Hex Lock Nut 3/8-16
4	647-04020	Shift Lever Assembly	48	712-3004A	Flange Lock Nut
5	710-0607	TT Screw 5/16-18 x 0.5	49	714-0104	Cotter Pin
6	710-0726	AB Screw 5/16-12 x 0.75	50	726-04028	Push Nut
7	710-0809	TT Screw 1/4-20 x 1.25	51	732-0335	Compression Spring
8	710-1007	TT Sems Screw 3/8-16 x 1.5	52	732-0955	Extension Spring
9	710-1266	Hex Bolt 5/16-18 x 3.5	53	732-0963	Extension Spring
10	710-3144	Hex Bolt 3/8-16 x 2.0	54	735-0662	Control Pad
11	711-0736	Ferrule	55	735-3049	Brake Pad
12	712-0241	Hex Nut 3/8-24	56	736-0262	Flat Washer
13	712-0429	Hex Lock Nut 5/16-18	57	736-3008	Flat Washer
14	712-0431	Flange Lock Nut 3/8-16	58	738-0155	Shoulder Screw
15	714-0104	Hairpin Clip	59	738-0380	Shoulder Screw
16	714-0111	Cotter Pin	60	741-0225	Hex Flange Bearing
17	714-0209	Hairpin Clip	61	741-3065B	Hex Flange Bearing: Split
18	714-0470	Cotter Pin	62	747-04093	Brake Lock Rod
19	720-04028	Shift Knob	63	747-04096	Cruise Control Rod
20	723-3018	Ball Joint	64	748-04039	Cruise Latch
21	732-0384	Extension Spring	65	783-0653F	Steering Support Bracket
22	732-0525	Spring Clip	66	783-0732	Lock-Out Bracket
23	732-0716	Extension Spring	67	783-0773A	Brake Pedal
24	732-0963	Extension Spring	68	783-0780B	Neutral Return Bracket
25	736-0169	Lock Washer 3/8	69	756-04002	Transmission Pulley
26	737-3007	Grease	70	712-0700	Flange Nut 9/16-18
27	738-0372B	Shoulder Spacer	71	718-0758A	Pulley Hub
28	747-04146	Shift Rod	72	683-04055	Transmission Torque Bracket
29	747-04164	Brake Rod	73	683-04130	Idler Bracket
30	747-1127	Idler Adj. Rod	74	710-0227	AB Screw #8-18 x 0.5
31	748-0334	Spacer: Transaxle	75	725-1644	Spring Switch
32	750-0566A	Spacer	76	750-0736	Shoulder Spacer
33	754-0467	V Belt	77	710-0514	Hex Bolt 3/8-16 x 1.0
34	754-0468	V Belt	78	747-04146	Shift Rod
35	756-0981A	Flat Idler Pulley	79	726-0320	Insulator Nut Plate
36	783-04283	Shift Bracket	80	736-0242	Bell Washer
37	783-04360	Shift Bracket	81	710-0627	Hex Cap Screw
38	783-04442	Double Idler Bracket: Center	82	634-0177	Wheel Assembly
39	647-0031C	Brake Control Assembly		634-0070	Rim Assembly
40	647-0032A	Speed Control Assembly		734-0255	Air Valve
41	683-0266	Drive Pedal Assembly		734-1873	Tire
42	710-0650	TT Screw 5/16-18 x 0.875	83	734-2290A	Hub Cap
43	710-0726	AB Screw 5/16-12 x 0.75	84	736-0430	Flat Washer
44	710-1260A	LD Screw 5/16-18 x 0.75			

Model 608



Ref. No.	Part No.	Description
1	710-3157	Hex Bolt 7/16-20 x 3.25
2	736-0171	Lock Washer
3	738-0785	Shoulder Spacer
4	717-04080	PTO Clutch
5	754-04033	V Belt
6	756-0407B	Engine Pulley
7	756-1229	Pulley
8	710-0859	Hex Bolt 3/8-16 x 2.5
9	748-0415B	Spacer
10	783-04467	Deck Stop Bracket
11	710-0726	AB Screw 5/16-12 x 0.75
12	712-0429	Hex Lock Nut 5/16-18
13	783-1003	Clutch Bracket
14	710-3025	Hex Bolt 5/16-18 x 0.625
15	783-0349	Battery Tray
16	725-1706A	Battery
17	710-0703	Carriage Screw
18	712-0271	Sems Nut
19	747-04121A	Battery Hold-Down Rod
20	710-0726	AB Screw 5/16-12 x 0.75
21	732-04035	Compression Spring
22	712-0130	Lock Nut
23	783-04329	Seat Bracket
24	710-0726	AB Screw 5/16-12
25	736-0222	Lock Washer
26	710-0599	TT Screw 1/4-20 x 0.5
27	712-0324	Lock Nut 1/4-20
28	738-04058	Shoulder Spacer
29	710-3005	Hex Bolt 3/8-16 x 1.25
30	710-0726	AB Screw 5/16-12
31	710-0642	TT Screw 1/4-20 x 0.75
32	—	Ground Wire (for reference only)
33	712-0324	Hex Lock Nut 1/4-20
34	738-0143	Shoulder Screw 3/8-16

Model 608

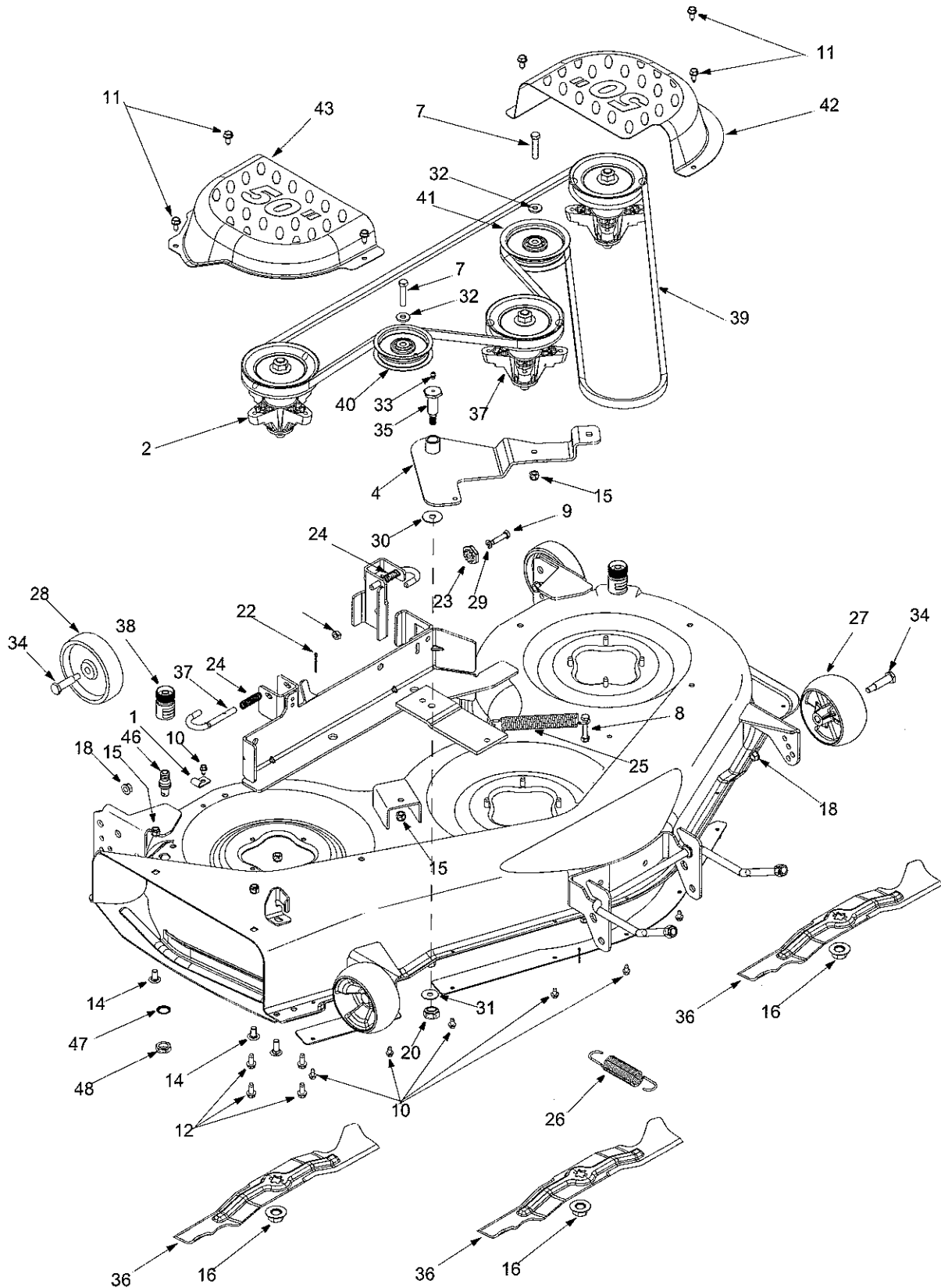


Ref. No.	Part No.	Description
1	732-0614	Ring, Wire
2	716-0231	Ring, E Type, .750
3	736-0336	Flat Washer, 5/8 x 1.0 x .030*
	736-0337	Flat Washer, 5/8 x 1.0 x .040*
	736-0349	Flat Washer, 5/8 x 1.0 x .020*
4	736-0335	Washer, Thrust .635 x 1.26 x .06
5	710-1325	Self-tapping Screw, 1/4-20 x 1.625
6	719-04017	Upper Housing
7	711-1109	Input Shaft
8	741-0335	Needle Bearing, .625 x .813 x .495
9	717-1464	14-tooth Bevel Pinion
10	716-0108	Retaining Ring, .437
11	741-0340	Sleeve Bearing, .75 x 1.0 x 1.0
12	721-0338	Seal, .75 x 1.0 x .125
13	618-04041	Differential Assembly
14	741-0336	Flange Bearing, 5/8 x 3/4 x 3/4
15	717-1362	42-tooth Bevel Gear
16	717-1363	42-tooth Bevel Gear
17	718-0228	Clutch Collar
18	736-0519	Flat Washer, .70 x 1.125 x .031
19	711-04053	Drive Shaft
20	736-0495	Thrust Washer, 1.0 x .632 x .0
21	741-0337	Flange Bearing, 5/8 x 3/4 x 15/16
22	611-0011	Detent Shaft Assembly
23	741-0862	Detent Ball
24	732-0863	Compression Spring
25	719-04018	Lower Housing
26	717-0678	Brake Puck
27	761-0202	Brake Disc
28	710-1206	Self-tapping Screw, 1/4-20 x 2.375
29	661-0001	Brake Assembly
—	737-0148	Grease (19 oz.)

*Use applicable flat washer (12a, 12b or 12c) in this application allowing .0150/.0020 in end-play

NOTE: If rebuilding the upper housing of the transmission, add two ounces of Unirex® N3 grease (Part No. 737-0289) in the input shaft cavity.

Deck: 50-inch



Deck: 50-inch

Ref. No.	Part No.	Description	Ref. No.	Part No.	Description
1	16606	Retainer Bracket	25	732-0459	Extension Spring
2	618-04125	Spindle Assembly	26	732-0934	Extension Spring
3	683-0254	Hanger Bracket Assembly LH	27	734-04039	Deck Wheel
4	683-04098	Idler Assembly	28	734-0973	Deck Wheel
5	683-04120	Deck Assembly w/o Nozzle	29	736-0119	Lock Washer 5/16
	683-04075	Deck Assembly w/ Nozzle	30	736-0406	Flat Washer
6	703-3279	Chute Stop	31	736-0407	Bell Washer
7	710-0347	Hex Bolt 3/8-16 x 1.75	32	736-3072	Flat Washer
8	710-0395	Hex Bolt 5/16-18 x 2.25	33	737-3000	Lube Fitting
9	710-0528	Hex Bolt 5/16-18 x 1.25	34	738-0373	Shoulder Screw
10	710-0599	Tt Screw 1/4-20 x 0.5	35	738-3005A	Shoulder Bolt
11	710-0726	AB Screw 5/16-12 x 0.75	36	742-04053	Blade
12	710-1260A	LD Screw	37	747-1116	Rod: Deck Release Handle
13	710-3168	Carriage Bolt	38	721-04041	Nozzle Adapter (if equipped)
14	710-3178	Carriage Bolt	39	754-04048	V Belt
15	712-0130	Hex Lock Nut	40	756-0627B	Idler Pulley
16	712-0417A	Flange Nut	41	756-1229	Idler Pulley
17	712-0429	Hex Lock Nut	42	783-04399	Belt Cover LH
18	712-0431	Flange Lock Nut 3/8-16	43	783-04400	Belt Cover RH
19	712-3010	Hex Nut 5/16-18	44	783-04414	Center Skirt
20	712-3019	Hex Nut 7/16-14	45	783-04415	Deck Skirt RH
21	712-3083	Hex Lock Nut 1/2-13	46	737-04003B	Water Nozzle (if equipped)
22	714-0470	Cotter Pin	47	736-0760	Lock Washer(if equipped with nozzle)
23	717-04074	Gear: Deck Adjustment	48	712-0641	Hex Nut M16
24	732-0306A	Compression Spring			