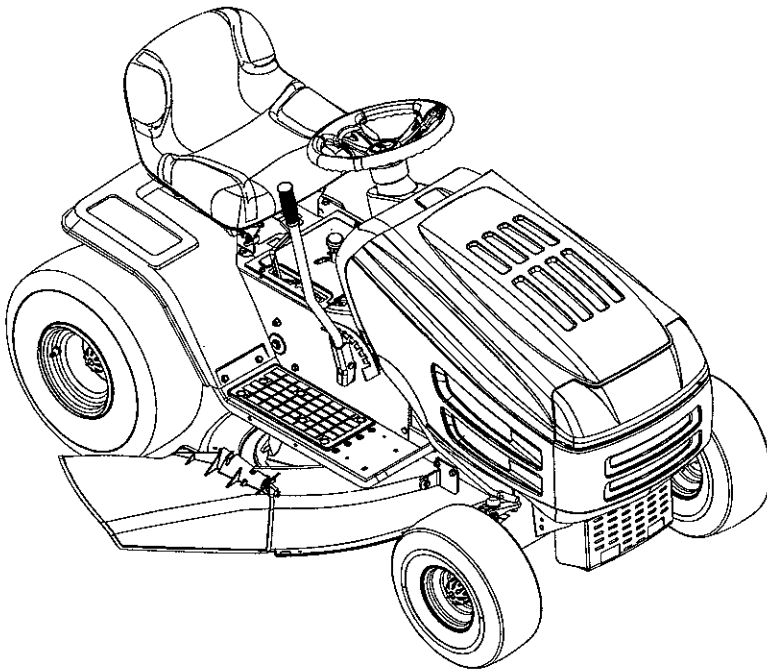


For Parts Call 606-678-9623 or 606-561-4983

Illustrated Parts Manual



Transmatic Lawn Tractor

MODELS 660, 680

662, 682

663, 683

665, 685

668, 688

MTD LLC, P.O. BOX 361131 CLEVELAND, OHIO 44136-9722

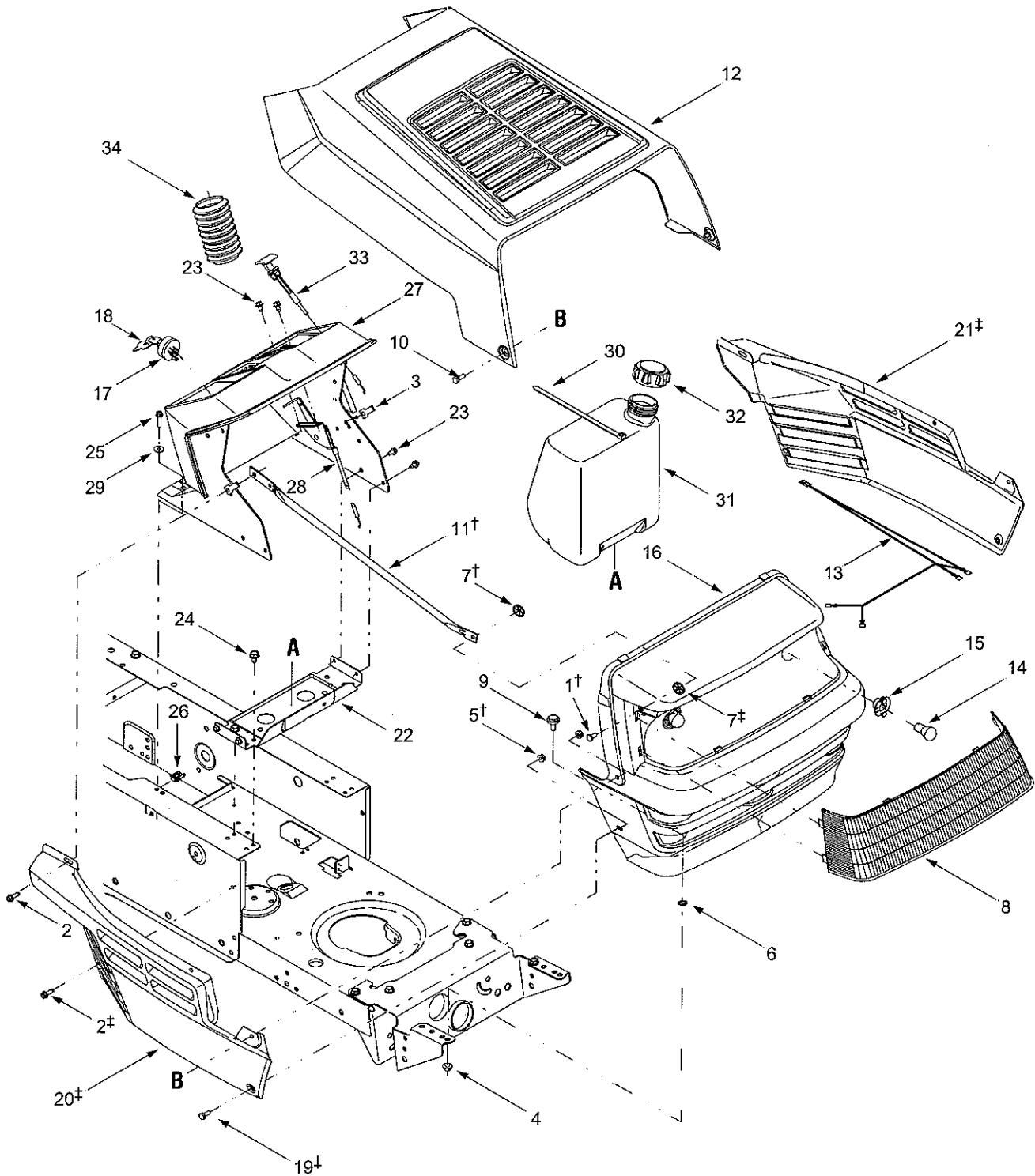
PRINTED IN U.S.A.

FORM NO. 769-00642B

(10/24/2003)

www.mymowerparts.com

Models 660, 665, 680 & 685



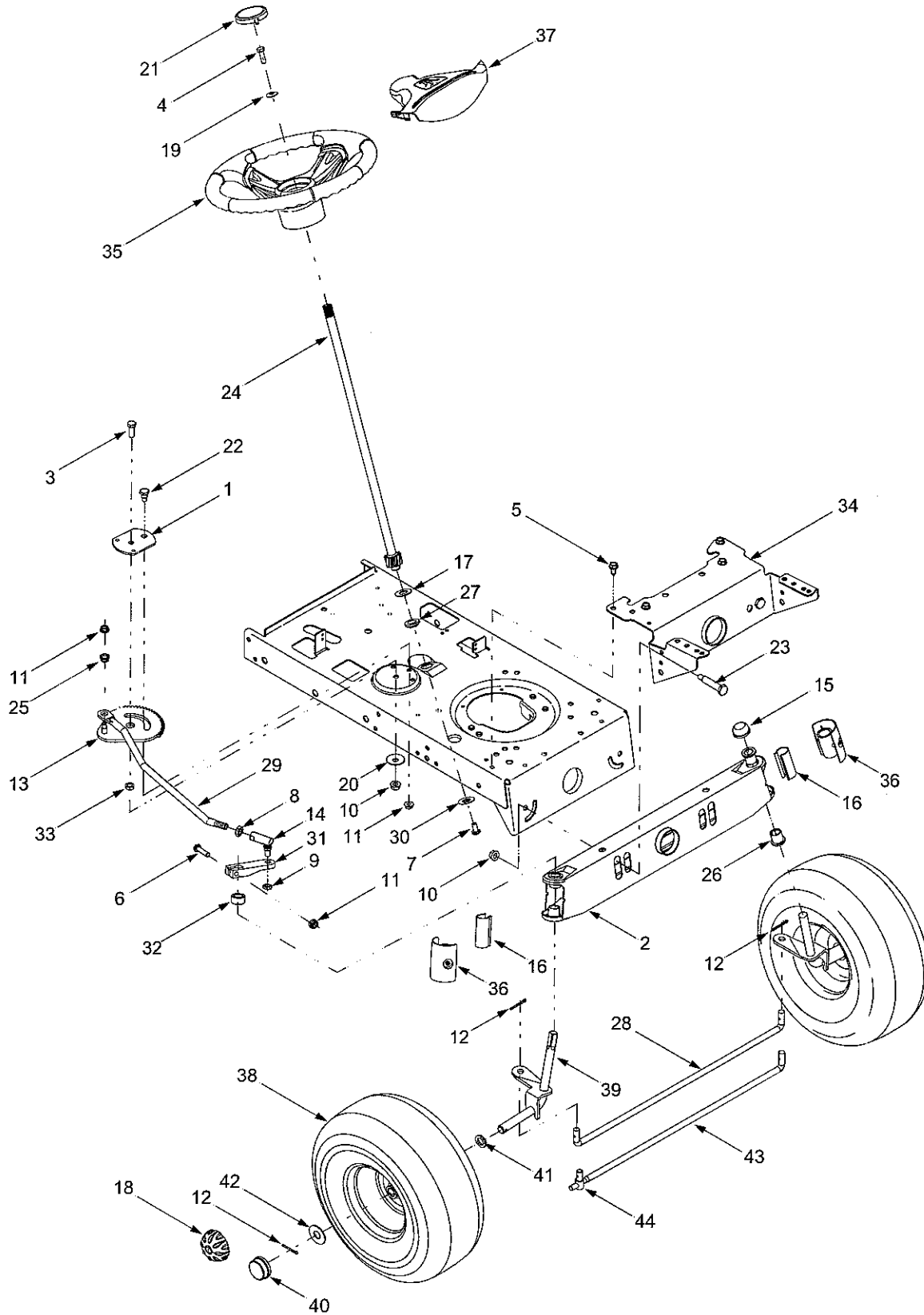
† Found on Models 660 & 680 Only
‡ Found on Models 665 & 685 Only

Models 660, 665, 680 & 685

| REF. NO. | PART NO. | DESCRIPTION |
|----------|------------|--------------------------------------|
| 1 | 728-0162 | Flat-head Rivet, 1/4 |
| 2 | 710-0642 | Self-tapping Screw, 1/4-20 x .75 |
| 3 | 712-0185 | U-type Speed Nut, 1/4-20 |
| 4 | 712-0429 | Lock Nut, 5/16-18 |
| 5 | 712-0324 | Lock Nut, 1/4-20 |
| 6 | 726-0201 | Speed Nut, 3/125 |
| 7 | 726-04012 | Push-on Nut, .25 |
| 8 | 731-1099A | Lens |
| 9 | 738-04015 | Shoulder Screw, 5/16-18 x .625 |
| 10 | 738-0952A | Shoulder Screw, 1/4-20 x 3/75 / .125 |
| 11 | 749-0722C | Grille Support Rod |
| 12 | 783-0250A | Hood w/ Louvers |
| 13 | 629-0469B | Headlamp Harness Assembly |
| 14 | 725-0963 | Headlamp, 12V |
| 15 | 725-1649 | Headlamp Socket |
| 16 | 731-1097F | Grille |
| 17 | 725-1396 | Ignition Switch, 6-pin |
| 18 | 725-0201 | Keys (pair) |
| 19 | 710-0751 | Hex Screw, 1/4-20 x .620 |
| 20 | 783-0150B | RH Side Panel |
| 21 | 783-0151B | LH Side Panel |
| 22 | 17632D | Support Bracket |
| 23 | 710-0599 | Self-tapping Screw, 1/4-20 x .5 |
| 24 | 710-0607 | Self-tapping Screw, 5/16-18 x .5 |
| 25 | 710-0788 | Self-tapping Screw, 1/4-20 x 1.0 |
| 26 | 726-3054 | U-type Speed Nut, 1/4-20 |
| 27 | 731-04179 | Dash Panel (models w/o choke knob) |
| | 731-04082 | Dash Panel (models w/ choke knob) |
| 28 | 746-04020A | Throttle / Choke Control, 18.5" |
| | 746-04023A | Throttle Control, 35.5" |
| | 746-04030A | Throttle Control, 18.5" |
| 29 | 736-3090 | Flat Washer, 260 x .720 x .060 |
| 30 | 726-0230 | Cable Tie, 34.75 |
| 31 | 751-0555B | Fuel Tank, 1.5 gal |
| 32 | 751-0603 | Fuel Tank Cap |
| 33 | 746-0614A | Choke Control, 38" |
| | 746-0616A | Choke Control, 23" |
| 34 | 731-0954 | Steering Bellow, 4.75" |

NOTE: Tractor features vary by model. NOT all parts listed above and pictured on the previous page are standard equipment.

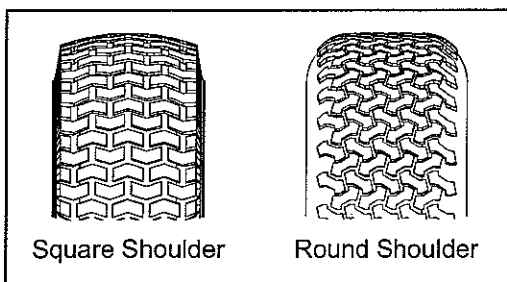
Models 660 - 688



Models 660 – 688

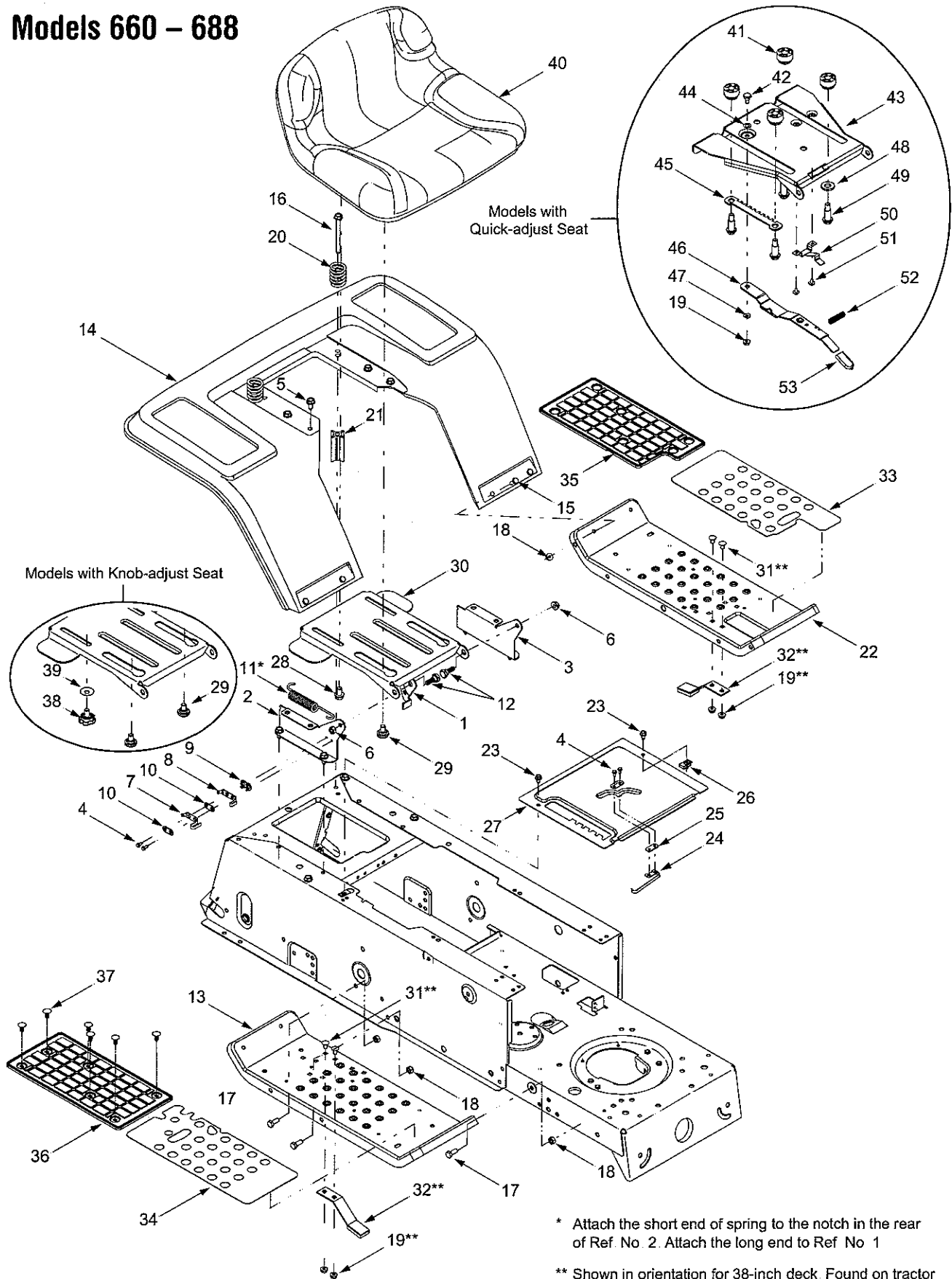
| REF. NO. | PART NO. | DESCRIPTION | REF. NO. | PART NO. | DESCRIPTION |
|----------|------------|--------------------------------------|-----------|--|-------------------------------------|
| 1 | 17198A | Retainer Gear Segment Plate | 26 | 741-0487A | Flange Bushing, .632 ID |
| 2 | 683-0002A | Pivot Bar, 625 | 27 | 741-0656 | Hex Flange Bearing, 5/8 |
| 3 | 710-0514 | Hex Cap Screw, 3/8-16 x 1.0 | 28 | 747-04008 | Tie Rod, Non-adjustable |
| 4 | 710-0643 | Hex Cap Screw, 5/16-18 x 1.0 | 29 | 747-1268B | Steering Drag Link, 7/16-20 |
| 5 | 710-0726 | Self-tapping Screw, 5/16-12 x .75 | 30 | 748-0389 | Cap, 1.25 x .16 |
| 6 | 710-0805 | Hex Cap Screw, 5/16-18 x 1.5 | 31 | 748-04014B | Steering Arm |
| 7 | 710-1309 | Machine Screw, 5/16-18 x .75 | 32 | 748-04020 | Spacer, 1.0 x .645 x .56 |
| 8 | 712-0240 | Jam Nut, 7/16-20 (Grade 2) | 33 | 750-0535 | Spacer, .380 x .625 x .21 |
| 9 | 712-0262 | Jam Nut, 3/8-24 | 34 | 783-0041D | Pivot Bar Bracket |
| 10 | 712-0431 | Flange Lock Nut, 3/8-16 | 35 | 631-04028 | Steering Wheel, Three Spoke |
| 11 | 712-3004A | Flange Lock Nut, 5/16-18 | 631-04008 | Steering Wheel, Three Spoke Soft Grip | |
| 12 | 714-0470 | Cotter Pin, 1/8 x 1.25 | 36 | 731-04058 | Axle End Cap, w/ Fitting |
| 13 | 717-1757A | Steering Segment Gear | 37 | 731-04064 | Steering Wheel Cap, Large |
| 14 | 723-0448A | Ball Joint, 7/16 -20 | 731-04065 | Steering Wheel Cap w/ Sprig, Large | |
| 15 | 726-0214 | Push Cap, 625 | 38 | 634-0056A | Round Shoulder Wheel Ass'y Complete |
| 16 | 731-04057A | Axle End Cap, Standard | 634-0105A | Square Shoulder Wheel Ass'y Complete | |
| 17 | 736-0187 | Flat Washer, .64 x 1.24 x .060 | 634-0115 | Square Shoulder Wheel Ass'y Complete | |
| 18 | 731-2290A | Deluxe Hub Cap | 39 | 683-04016 | RH Axle Assembly |
| 19 | 736-0242 | Bell Washer, .34 x .872 x .060 | 683-04015 | LH Axle Assembly | |
| 20 | 736-0356 | Bell Washer, .391 x .380 x .062 | 683-04014 | RH Axle Ass'y (models with 46-in Deck) | |
| 21 | 731-04039 | Steering Wheel Cap, Small | 683-04013 | LH Axle Ass'y (models with 46-in Deck) | |
| | 731-04040 | Steering Wheel Cap w/ Sprig, Small | 40 | 731-0484A | Hub Cap |
| 22 | 738-0141 | Shoulder Screw, .435 x .350, 5/16-18 | 41 | 736-0162 | Flat Washer, .64 x 1.0 x .12 |
| 23 | 738-0527 | Shoulder Screw, .498 x 2.045 | 42 | 736-0285 | Flat Washer, .635 x 1.589 x .06 |
| 24 | 738-0919 | Steering Shaft, 21.86 | 43 | 747-04057 | Tie Rod, Adjustable |
| 25 | 741-0475 | Plastic Bushing, .38 ID | 44 | 711-04059 | Ferrule, 3/8-24 x .437 Dia |

| | Wheel Ass'y Complete | Rim Assembly | Inner Bearing | Outer Bearing | Tire Only | Air Valve |
|-----------------|----------------------|--------------|---------------------------------|-------------------------------|--------------------------|-----------|
| Round Shoulder | 634-0056A | 634-0172 | 741-0706 (Flange w/ Fitting) | 741-0487A (Plastic Flange) | 734-0864 (15 x 6 x 6) | 734-0255 |
| Square Shoulder | 634-0105A | 634-0172 | 741-0706 (Flange w/ Fitting) | 741-0487A (Plastic Flange) | 734-1731 (15 x 6 x 6) | 734-0255 |
| Square Shoulder | 634-0115 | 634-0051 | 741-0569 (Ball Bearing) | 741-0569 (Ball Bearing) | 734-1731 (15 x 6 x 6) | 734-0255 |



NOTE: Tractor features vary by model. NOT all parts listed above and pictured on the previous page are standard equipment.

Models 660 – 688



* Attach the short end of spring to the notch in the rear of Ref. No. 2. Attach the long end to Ref. No. 1

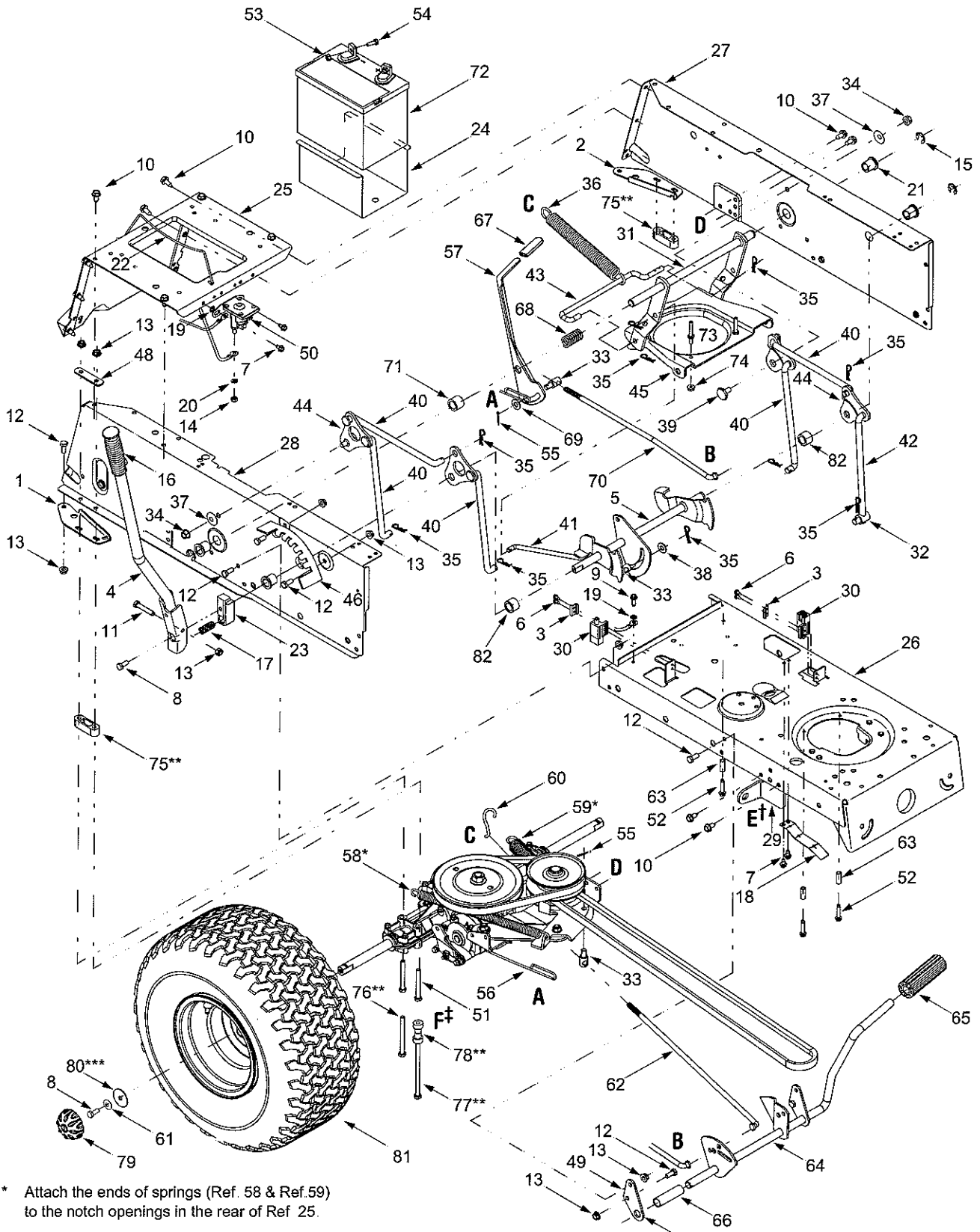
** Shown in orientation for 38-inch deck. Found on tractor models with 38- or 42-inch deck only.

Models 660 – 688

| REF. NO. | PART NO. | DESCRIPTION | REF. NO. | PART NO. | DESCRIPTION |
|----------|------------|-----------------------------------|----------|------------|-------------------------------------|
| 1 | 17239C | Seat Lift Bracket | 28 | 710-0870 | Screw, 3/8-16 x .625 |
| 2 | 17950A | RH Pivot Support Bracket, Seat | 29 | 738-04012 | Shoulder Screw, .625 x .175, 3/8-16 |
| 3 | 17951A | LH Pivot Support Bracket, Seat | 30 | 783-04081A | Seat Pivot Bracket, Manual Adjust |
| 4 | 710-0227 | Self-tapping Screw, #8-18 x .50 | 31 | 710-0167 | Carriage Screw, 1/4-20 x .50 |
| 5 | 710-0726 | Self-tapping Screw, 5/16-12 x .75 | 32 | 761-0168B | Blade Spindle Brake Assembly |
| 6 | 712-0429 | Lock Nut, 5/16-18 | 33 | 723-04012 | LH Abrasive Foot Pad |
| 7 | 725-1303 | Outer Seat Spring Switch | 34 | 723-0422C | RH Abrasive Foot Pad |
| 8 | 725-1439 | Inner Seat Spring Switch | 35 | 735-04009 | LH Rubber Foot Pad |
| 9 | 726-0278 | Insulator Plate Boss | 36 | 735-0196 | RH Rubber Foot Pad |
| 10 | 726-0279 | Insulator Plate | 37 | 726-3046 | Ratchet Clip, .250 Dia |
| 11 | 732-0581B | Extension Spring, .75 x 5.31 | 38 | 720-04009 | Knob, 3/8-16 X .625 |
| 12 | 738-0296 | Shoulder Screw, 437 x 286 | 39 | 736-0219 | Bell Washer, 389 x 1 120 x .030 |
| 13 | 17770H | Running Board | 40 | 757-04021 | Low Back Seat, Black |
| 14 | 17870C | Fender | | 757-04020 | Medium Back Seat, Black |
| 15 | 710-0751 | Hex Screw, 1/4-20 x .620 | 41 | 731-04074 | Spacer |
| 16 | 710-1208 | Self-tapping Screw, 5/16-18 x 3 5 | 42 | 712-0137A | Shoulder Screw, 340 x 285, 1/4- 20 |
| 17 | 710-3008 | Hex Screw, 5/16-18 x .75 | 43 | 783-0738A | Seat Pivot Bracket, Quick-Adjust |
| 18 | 712-0429 | Nylon Lock Nut, 5/16-18 | 44 | 736-0204 | Flat Washer, 344 x .62 |
| 19 | 712-3027 | Flange Lock Nut, 1/4-20 | 45 | 783-0753 | Seat Select Bracket |
| 20 | 732-04038 | Compression Spring, 1.314 x 1.8 | 46 | 783-0739 | Seat Adjustment Lever |
| 21 | 750-04212 | Spacer | 47 | 736-0175 | Spring Washer |
| 22 | 783-04139A | LH Running Board | 48 | 736-3019 | Flat Washer, .531 x 1.062 x .134 |
| 23 | 710-0599 | Self-tapping Screw, 1/4-20 x .5 | 49 | 738-0966 | Shoulder Screw, 50 x .925, 3/8-16 |
| 24 | 725-1643 | Spring Switch, Long | 50 | 783-0611 | Seat Stop |
| 25 | 726-0320 | Insulator Nut Plate | 51 | 710-1268 | Screw, #10-16 x .375 |
| 26 | 726-3054 | U-Clip Nut, 1/4-20 | 52 | 732-0499 | Compression Spring |
| 27 | 783-04060A | Shift Cover Panel, 6-speed | 53 | 720-0309A | Grip |
| | 783-04050A | Shift Cover Panel, 8-speed | 54 | 732-0735 | Compression Spring, 1.314 x 2.55 |

NOTE: Tractor features vary by model NOT all parts listed above and pictured on the previous page are standard equipment.

Models 660 - 688



* Attach the ends of springs (Ref. 58 & Ref.59) to the notch openings in the rear of Ref. 25.

** Found on tractor models with 46-inch deck only.

*** Used on tractor models with Deluxe hub cap only

† Refer to E† on Page 18 & Page 20

‡ Refer to F‡ on Page 20

Models 660 – 688

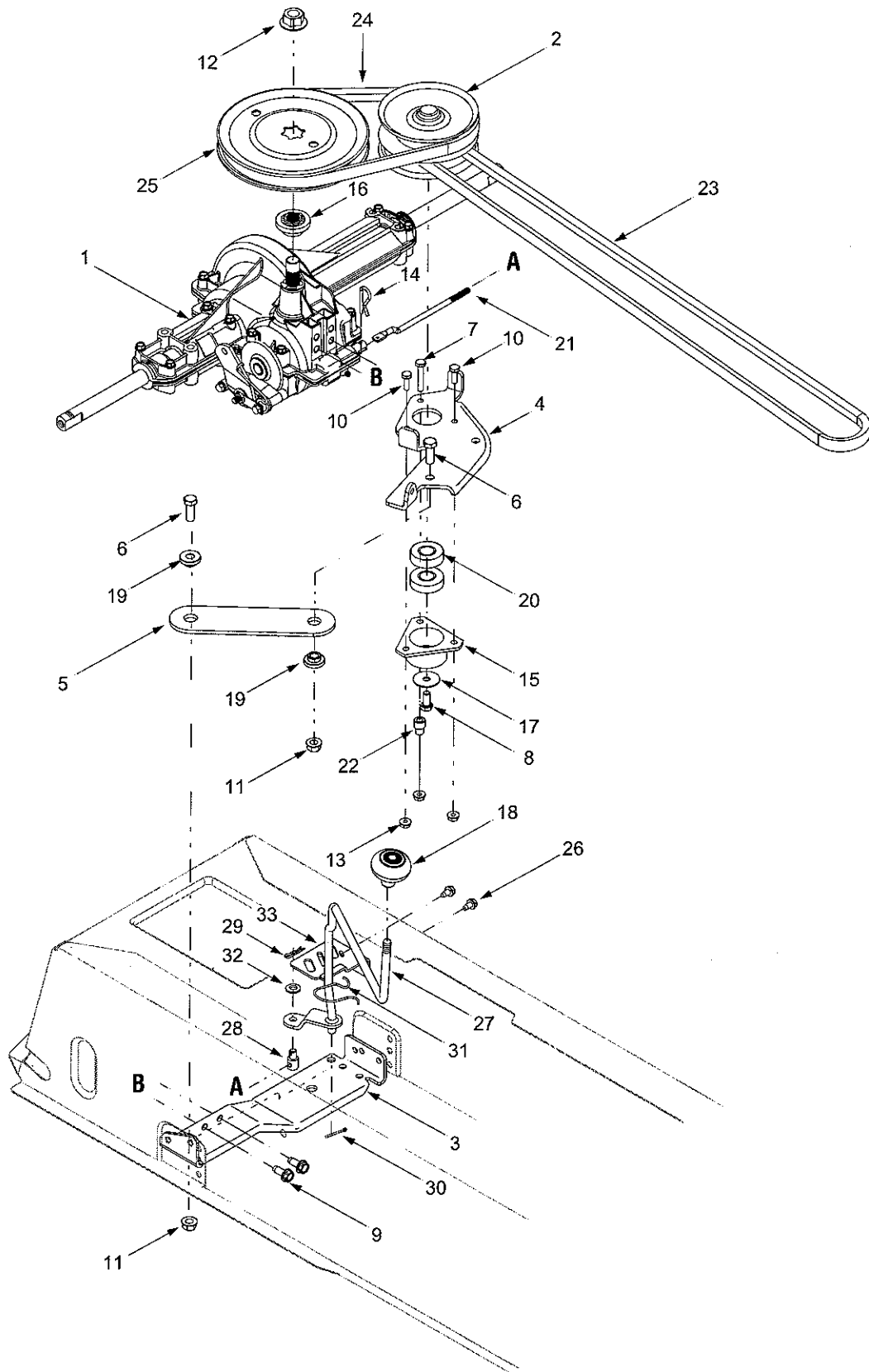
| REF. NO. | PART NO. | DESCRIPTION | REF. NO. | PART NO. | DESCRIPTION |
|----------|------------|--|----------|------------|--|
| 1 | 17668A | RH Axle Support Bracket | 44 | 748-04307 | Lift Link |
| 2 | 17669A | LH Axle Support Bracket | 45 | 783-04093 | Stabilizer Bracket (46-inch Decks) |
| 3 | 17962 | Switch Plate | | 783-04294 | Stabilizer Bracket (38- and 42-inch Decks) |
| 4 | 683-04025 | Lift Handle Assembly | 46 | 783-04113 | Deck Lift Index Bracket |
| 5 | 683-04049 | Lift Shaft Assembly | 47 | 17630A | Shift Lever Retainer |
| 6 | 710-0224 | Self-tapping Screw, #10-16 x .5 | 48 | 17840 | Transaxle Mounting Bracket |
| 7 | 710-0599 | Self-tapping Screw, 1/4-20 x .5 | 49 | 17860 | Pedal Mounting Bracket |
| 8 | 710-0627 | Hex Cap Screw, 5/16-24 x .75 | 50 | 725-1426 | Solenoid |
| 9 | 710-0642 | Self-tapping Screw, 1/4-20 x .75 | 51 | 710-0176 | Hex Cap Screw, 5/16-18 x 2.75 |
| 10 | 710-0726 | Self-tapping Screw, 5/16-12 x .75 | 52 | 710-0809 | Self-tapping Screw, 1/4-20 x 1.25 |
| 11 | 710-3180 | Hex Cap Screw, 5/16-18 x 1.75 | 53 | 712-0271 | Hex Sems Nut, 1/4-20 |
| 12 | 710-3008 | Hex Screw, 5/16-18 x .75 | 54 | 710-3015 | Hex Screw, 1/4-20 x .75 |
| 13 | 712-0429 | Lock Nut, 5/16-18 | 55 | 714-0111 | Cotter Pin, 1.0 |
| 14 | 712-3006 | Hex Nut, 1/4-20 | 56 | 732-04029 | Extension Spring, 59 x 12.38 |
| 15 | 716-0106A | E-Ring, .625 Dia Shaft | 57 | 783-04059 | Speed Select Lever |
| 16 | 720-0233 | Handle Grip | 58 | 732-04075A | Extension Spring, .73 x 12.54 |
| 17 | 732-0369 | Compression Spring, .55 x 1.37 | 59 | 732-04076 | Extension Spring, 1.15 x 7.90 |
| 18 | 732-0750A | Switch Actuator Spring | 60 | 732-0722A | Brake Return Spring |
| 19 | 736-0222 | External Lock Washer, 1/4 | 61 | 736-0242 | Bell Washer, 34 x 872 x .060 |
| 20 | 736-0329 | Lock Washer, 1/4 | 62 | 747-04043 | Variable Speed Control Rod |
| 21 | 741-0487A | Flange Bearing, .632 ID | 63 | 750-0566A | Spacer, .260 x .372 x 1.030 |
| 22 | 747-04031 | Battery Hold-down Rod | 64 | 683-04005A | Clutch / Brake Pedal Assembly |
| 23 | 748-04011A | Lift Shaft Connector | 65 | 735-0196 | Foot Pad, 4.6 |
| 24 | 783-0345 | Battery Tray | 66 | 750-0802 | Spacer, .640 x .76 x 2.63 |
| 25 | 783-0355D | Hitch Plate | 67 | 720-04008 | Shift Handle Grip |
| 26 | 783-04011A | Lower Frame | 68 | 732-04017 | Compression Spring, .89 x 1.75 |
| 27 | 783-04031 | LH Upper Frame Side Panel | 69 | 736-0300 | Flat Washer, .406 x 875 x .059 |
| 28 | 783-04032 | RH Upper Frame Side Panel | 70 | 747-04039 | Speed Control Rod |
| 29 | 783-04213 | Deck Anti-sway Bracket | 71 | 750-04080 | Spacer, .640 x 1.0 x .78 |
| 30 | 725-04039 | Screw-mount Interlock Switch | 72 | 725-1706A | Battery, 270 CCA |
| 31 | 683-04048A | Stabilizer Shaft Assembly | | 725-1737A | Battery, 190 CCA |
| 32 | 711-04036 | Ferrule, 1/2-20 x .50 | 73 | 712-3027 | Flange Lock Nut, 1/4-20 |
| 33 | 711-04075A | Ferrule, 3/8-24 x .375 | 74 | 711-0993 | Belt Guard Pin, 1/4-20 |
| 34 | 712-0130 | Lock Nut, 3/8-16 | 75 | 749-0334 | Spacer |
| 35 | 714-04023 | Internal Cotter Pin, .080 x 1.56 | 76 | 710-1266 | Hex Cap Screw, 5/16-18 x 3.25 |
| 36 | 732-04050A | Extension Spring, 1.07 x 9.52 | 77 | 710-0833 | Hex Cap Screw, 5/16-18 x 5.25 |
| 37 | 736-0219 | Bell Washer, 389 x 1.12 x .030 | 78 | 748-04021A | Shoulder Spacer |
| 38 | 736-0267 | Flat Washer, .385 x .87 x .060 | 79 | 731-2290A | Deluxe Hub Cap |
| 39 | 738-0322 | Shoulder Bolt, .625 x 2.17 | 80 | 736-0430 | Flat Washer, 350 x 1.59 x .062 |
| 40 | 747-04018A | Deck Hanger Link | 81 | 734-1675 | Round Shoulder Wheel Ass'y Complete |
| 41 | 747-04040A | Deck Disengagement Rod | | 634-0104 | Square Shoulder Wheel Ass'y Complete |
| 42 | 747-04069A | Deck Hanger Link | 82 | 748-04037 | Spacer, .635 x 1.0 x .696 |
| 43 | 747-04115A | Stabilizer Rod (46-inch Decks) | | | |
| | 747-04157 | Stabilizer Rod (38- and 42-inch Decks) | | | |

| | Wheel Ass'y Complete | Rim Assembly | Tire Only | Air Valve |
|-------------------------|----------------------|--------------|--------------------------|-----------|
| Round Shoulder* | 734-1675 | 634-0070 | 734-1596 (20 x 8 x 8) | 734-0255 |
| Square Shoulder* | 634-0104 | 634-0070 | 734-1730 (20 x 8 x 8) | 734-0255 |

* See illustration on Page 3

NOTE: Tractor features vary by model NOT all parts listed above and pictured on the previous page are standard equipment.

Models 660 - 688

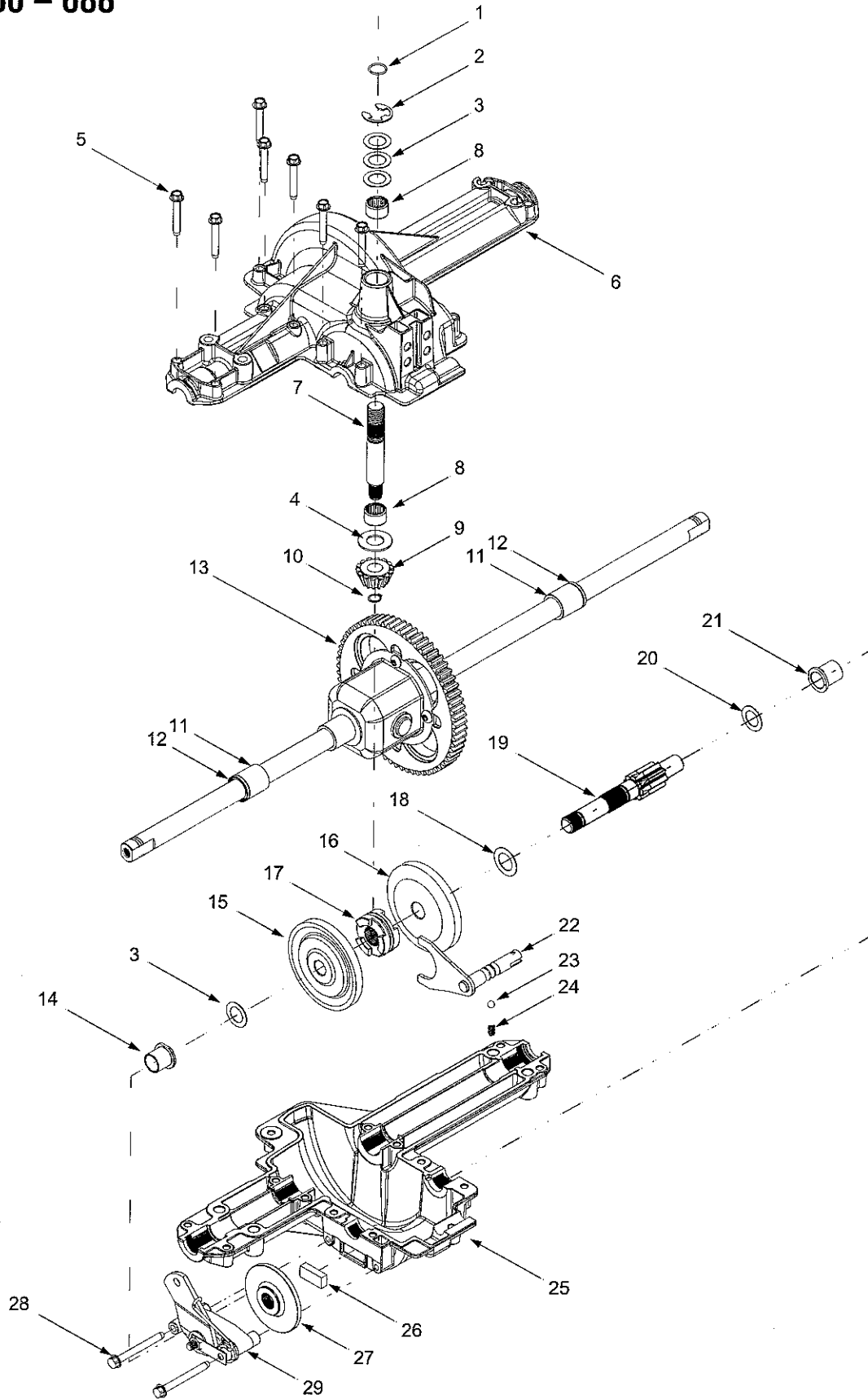


Models 660 – 688

| REF. NO. | PART NO. | DESCRIPTION |
|----------|------------|----------------------------------|
| 1 | 618-04034 | Transmission, Single-speed |
| 2 | 656-0059A | Variable-speed Pulley, 4.75 |
| 3 | 683-04055A | Torque Bracket |
| 4 | 683-04056 | Variable-speed Bracket |
| 5 | 683-04057 | Variable-speed Bracket |
| 6 | 710-0514 | Hex Cap Screw, 3/8-16 x 1.0 |
| 7 | 710-0606 | Hex Cap Screw, 1/4-20 x 1.5 |
| 8 | 710-0627 | Hex Cap Screw, 5/16-24 x .75 |
| 9 | 710-1260A | Screw, 5/16-18 x .75 |
| 10 | 710-3015 | Hex Screw, 1/4-20 x .75 |
| 11 | 712-0431 | Flange Lock Nut, 3/8-16 |
| 12 | 712-0700 | Flange Nut, 9/16-18 |
| 13 | 712-3027 | Flange Lock Nut, 1/4-20 |
| 14 | 714-0209 | Internal Cotter Pin, .125 |
| 15 | 718-04012 | Bearing Cup |
| 16 | 718-0758A | Pulley Hub, 5/8 Spline |
| 17 | 736-0362 | Flat Washer, 320 x 1.25 x .06 |
| 18 | 720-04028 | Shift Knob |
| 19 | 738-0372B | Shoulder Spacer, 1.0 x .38 x .38 |
| 20 | 741-0600 | Ball Bearing, 17 x 40 x 12 |
| 21 | 747-04072 | Shift Rod |
| 22 | 750-04099 | Stepped Spacer |
| 23 | 754-04001A | Lower Drive Belt |
| 24 | 754-04002 | Upper Drive Belt |
| 25 | 756-04002 | Transmission Pulley, 7.25 |
| 26 | 710-0599 | Self-tapping Screw, 1/4-20 x .5 |
| 27 | 647-04019 | Shift Lever Assembly |
| 28 | 711-0736 | Ferrule, 1/4-20 x 1.0 |
| 29 | 714-0104 | Cotter Pin, 1.13 |
| 30 | 714-0470 | Cotter Pin, 1.25 |
| 31 | 732-04067 | Spring Compression Clip |
| 32 | 736-0275 | Flat Washer, 344 x 688 x .065 |
| 33 | 17630A | Shift Lever Retainer |

NOTE: Tractor features vary by model. NOT all parts listed above and pictured on the previous page are standard equipment.

Models 660 – 688



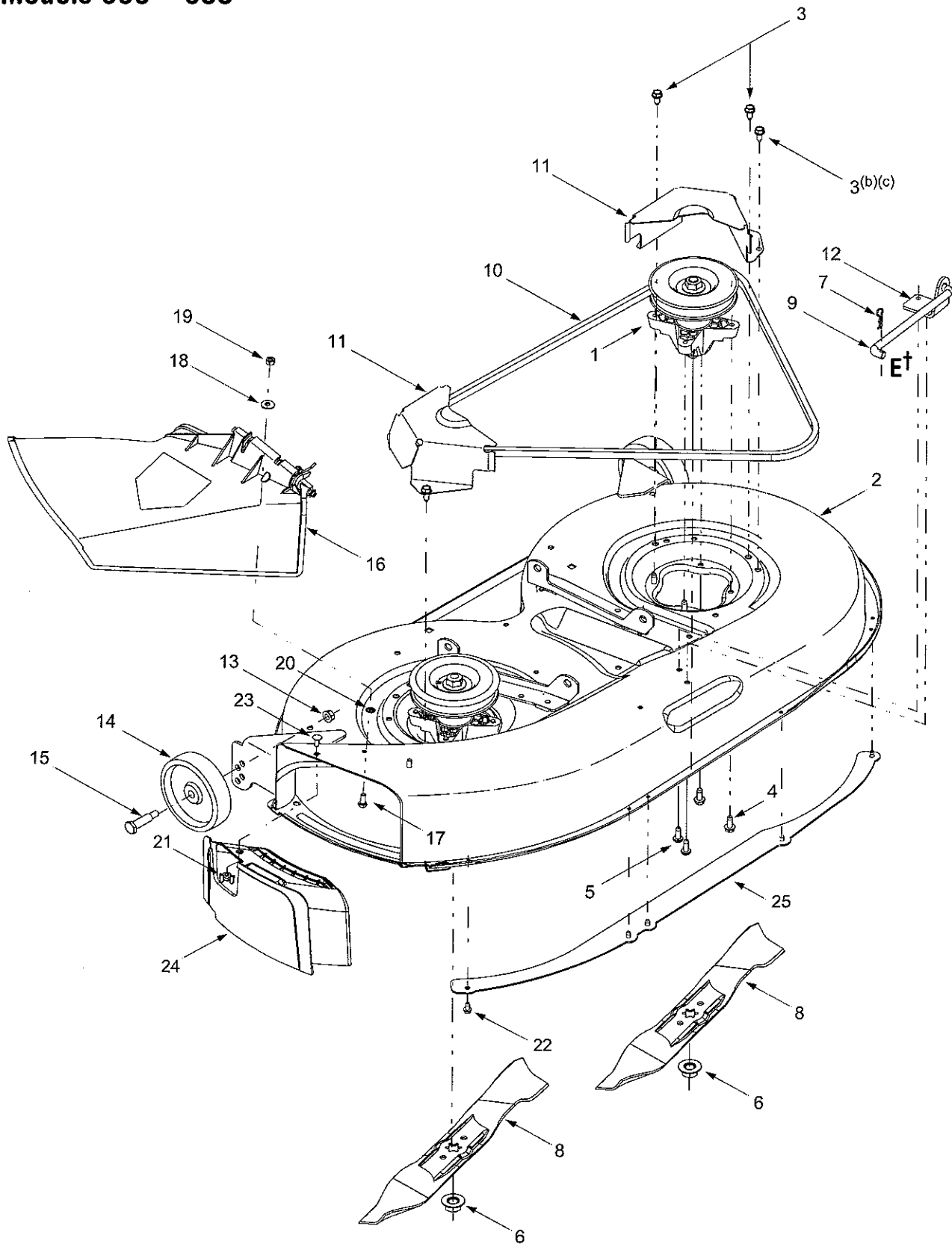
Models 660 – 688

| REF. NO. | PART NO. | DESCRIPTION |
|-------------|-------------|------------------------------------|
| 1 | 732-0614 | Ring, Wire |
| 2 | 716-0231 | Ring, E Type, .750 |
| 3 | 736-0336 | Flat Washer, 5/8 x 1 0 x .030* |
| | 736-0337 | Flat Washer, 5/8 x 1 0 x .040* |
| | 736-0349 | Flat Washer, 5/8 x 1 0 x .020* |
| 4 | 736-0335 | Washer, Thrust .635 x 1 26 x .06 |
| 5 | 710-1325 | Self-tapping Screw, 1/4-20 x 1 625 |
| 6 | 719-04017 | Upper Housing |
| 7 | 711-1109 | Input Shaft |
| 8 | 741-0335 | Needle Bearing, 625 x .813 x .495 |
| 9 | 717-1464 | 14-tooth Bevel Pinion |
| 10 | 716-0108 | Retaining Ring, 437 |
| 11 | 741-0340 | Sleeve Bearing, 75 x 1 0 x 1.0 |
| 12 | 721-0338 | Seal, 75 x 1.0 x 125 |
| 13 | 618-04041 | Differential Assembly |
| 14 | 741-0336 | Flange Bearing, 5/8 x 3/4 x 3/4 |
| 15 | 717-1362 | 42-tooth Bevel Gear |
| 16 | 717-1363 | 42-tooth Bevel Gear |
| 17 | 718-0228 | Clutch Collar |
| 18 | 736-0519 | Flat Washer, .70 x 1 125 x .031 |
| 19 | 711-04053 | Drive Shaft |
| 20 | 736-0495 | Thrust Washer, 1.0 x .632 x .0 |
| 21 | 741-0337 | Flange Bearing, 5/8 x 3/4 x 15/16 |
| 22 | 611-0011 | Detent Shaft Assembly |
| 23 | 741-0862 | Detent Ball |
| 24 | 732-0863 | Compression Spring |
| 25 | 719-04018 | Lower Housing |
| 26 | 717-0678 | Brake Puck |
| 27 | 761-0202 | Brake Disc |
| 28 | 710-1206 | Self-tapping Screw, 1/4-20 x 2.375 |
| 29 | 661-0001 | Brake Assembly |
| — | 737-0148 | Grease (19 oz.) |

*Use applicable flat washer (12a, 12b or 12c) in this application allowing .0150/.0020 in. end-play

NOTE: If rebuilding the upper housing, include two ounces (2 oz.) of Unirex[®] N3 grease (Part No 737-0289) in the input shaft cavity

Models 660 – 688



† Refer to E† on Page 12

Models 660 – 688

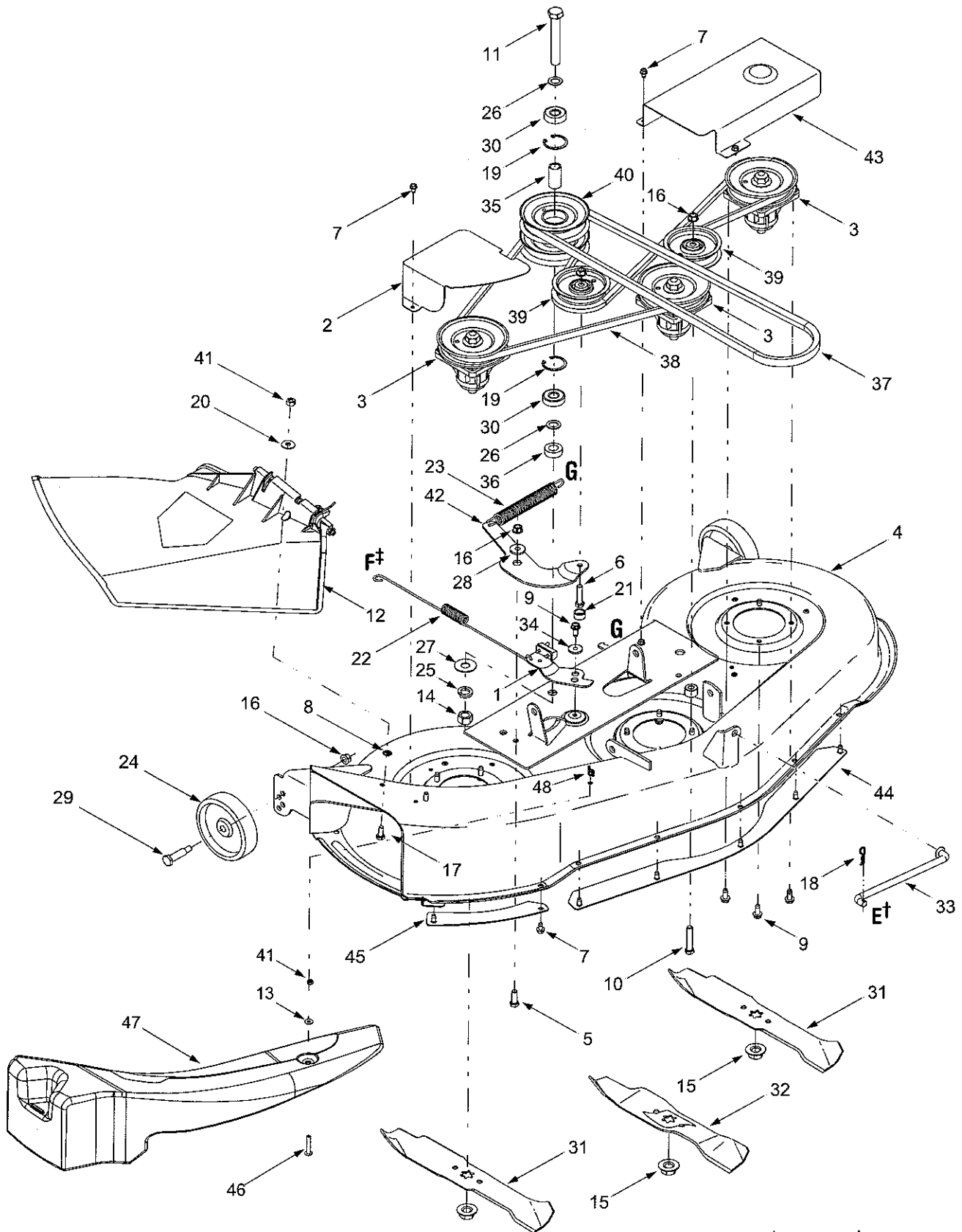
| REF. NO. | PART NO. | DESCRIPTION |
|----------|------------|----------------------------------|
| 1 | 618-0138A | Spindle Assembly (a) |
| | 618-0142A | Spindle Assembly (b) (c) |
| 2 | 683-04003A | Deck Shell (a) |
| | 683-04004A | Deck Shell (b) |
| | 683-04035A | Deck Shell (c) |
| 3 | 710-0726 | Self-tapping Screw, 5/16-12 x 75 |
| 4 | 710-1260A | Screw, 5/16-18 x 75 |
| 5 | 710-1616A | Self-tapping Screw, 5/16-18 x 75 |
| 6 | 712-0417A | Hex Flange Nut, 5/8-18 |
| 7 | 714-04023 | Internal Cotter Pin, 080 x 1 56 |
| 8 | 742-0610A | Blade, 19 38" (a) |
| | 742-0616A | Blade, 21 23" (b) (c) |
| 9 | 747-04018A | Deck Hanger Link/Anti-sway Rod |
| 10 | 754-0329A | Deck Belt (a) |
| | 754-0371A | Deck Belt (b) (c) |
| 11 | 783-04148A | Belt Cover (a) |
| | 783-04149B | Belt Cover (b) (c) |
| 12 | 783-04211 | Anti-sway Stabilizer Bracket |
| 13 | 712-0431 | Flange Lock Nut, 3/8-16 (c) |
| 14 | 734-0973 | Deck Wheel, 5 x 1.38 (c) |
| 15 | 738-0373 | Shoulder Screw, .498 x 1 53 (c) |
| 16 | 731-1032B | Discharge Chute Assembly |
| 17 | 710-0751 | Hex Cap Screw: 1/4-20 x .620 |
| 18 | 736-0270 | Bell Washer, .265 x .75 x .062 |
| 19 | 712-3006 | Hex Nut, 1/4-20 |
| 20 | 726-0233 | Push Nut, 1/4 |
| 21 | 712-3087 | Wing Nut, 1/4-20 |
| 22 | 710-0599 | Self-tapping Screw, 1/4-20 x .5 |
| 23 | 710-0134 | Carriage Screw, , 1/4-20 x .62 |
| 24 | 731-2363 | Mulch Plug |
| 25 | 783-1146A | Deck Skirt (b) (c) |

- (a) Tractor models with 38-inch Deck Only
- (b) Tractor models with 42-inch Deck Only
- (c) Tractor models with 42-inch Deck w/ Deck Wheels Only

IMPORTANT: For a proper working machine, use Factory Approved Parts. **V-belts** are designed to engage and disengage safely. A substitute (non OEM) V-belt can be dangerous by not disengaging completely.

NOTE: Tractor features vary by model. NOT all parts listed above and pictured on the previous page are standard equipment

Models 660 - 688



† Refer to E† on Page 12
‡ Refer to F‡ on Page 12

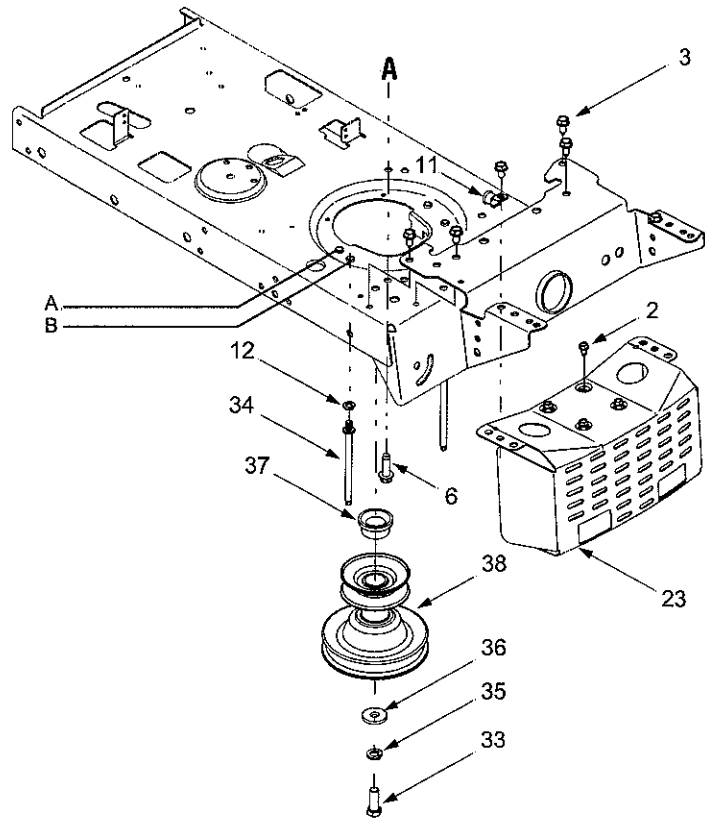
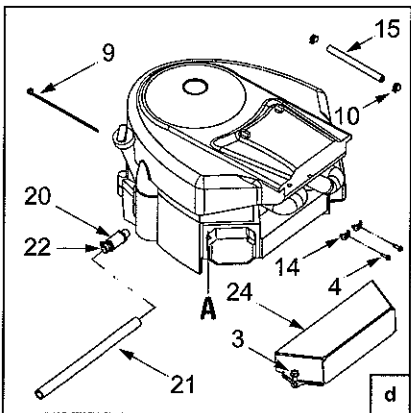
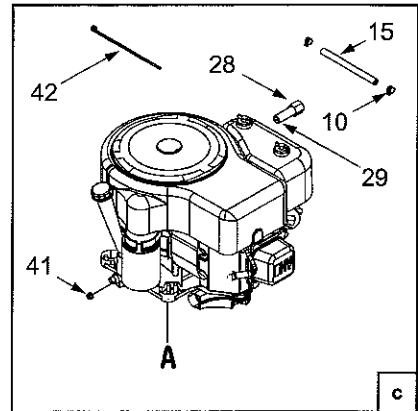
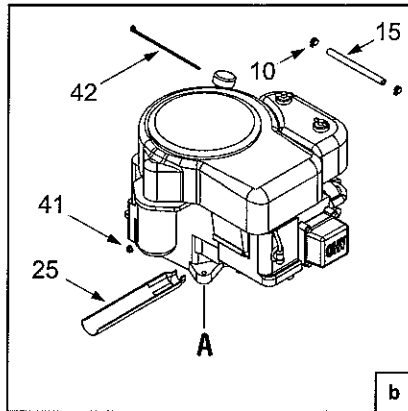
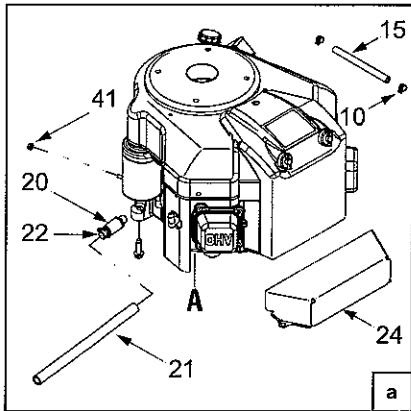
Models 660 – 688

| REF. NO. | PART NO. | DESCRIPTION | REF. NO. | PART NO. | DESCRIPTION |
|----------|-----------|----------------------------------|----------|------------|---|
| 1 | 17116 | Deck Brake Assembly | 25 | 736-0158 | Lock Washer, 5/8 |
| 2 | 17258D | RH Belt Cover | 26 | 736-0290 | Flat Washer, 5/8 |
| 3 | 618-0240A | Spindle Assembly, 5 0 Dia | 27 | 736-3088 | Flat Washer, 1.585 x .635 x .062 |
| | 756-1187 | Pulley Only | 28 | 738-0347 | Shoulder Spacer, .625 x 1.16 |
| 4 | 683-04133 | 46-inch Deck Shell | 29 | 738-0373 | Shoulder Screw, 498 x 1.53 |
| 5 | 710-0514 | Hex Cap Screw, 3/8-16 x 1 0 | 30 | 741-0524 | Bearing, 625 x 1 574 x .470 |
| 6 | 710-0520 | Hex Cap Screw, 1/4-20 x 1 5 | 31 | 742-0611A | Three-in-one Blade, Star Center, 16 28" |
| 7 | 710-0599 | Self-tapping Screw, 1/4-20 x .5 | 32 | 742-0612A | Three-in-one Blade, Star Center, 14 88" |
| 8 | 726-0233 | Push Nut, 1/4 | 33 | 747-04018A | Deck Hanger Link/Anti-sway Rod |
| 9 | 710-1260A | Screw, 5/16-18 x .75 | 34 | 748-0234 | Shoulder Spacer |
| 10 | 710-3144 | Hex Cap Screw, 3/8-16 x 2 0 | 35 | 750-0932A | Spacer, 635 x 88 x 1.72 |
| 11 | 710-3151 | Hex Cap Screw, 5/8-18 x .875 | 36 | 750-0960A | Spacer, 635 x 1 25 x 445 |
| 12 | 731-1032 | Discharge Chute Assembly | 37 | 754-0439 | PTO Belt (Upper Deck Belt) |
| 13 | 736-0173 | Flat Washer, 28 X .74 X .063 | 38 | 754-0440 | Deck Belt (Lower Deck Belt) |
| 14 | 712-0337 | Hex Nut, 5/8-18 | 39 | 756-0627B | Idler Pulley, 3 5 |
| 15 | 712-0417A | Hex Flange Nut, 5/8-18 | 40 | 756-0638 | Double Pulley, 5 0 |
| 16 | 712-0431 | Flange Lock Nut, 3/8-16 | 41 | 712-3006 | Hex Nut, 1/4-20 |
| 17 | 710-0751 | Hex Cap Screw: 1/4-20 x .620 | 42 | 783-0046 | Idler Bracket |
| 18 | 714-04023 | Internal Cotter Pin, .080 x 1.56 | 43 | 783-0063A | LH Belt Cover |
| 19 | 716-3020 | Internal Retaining Ring | 44 | 783-0141 | Deck Skirt, Center |
| 20 | 736-0270 | Bell Washer, 265 x 75 x .062 | 45 | 783-0142 | Deck Skirt, Right-hand |
| 21 | 731-1490 | Slide Cap | 46 | 710-0578 | Screw, 1/4-20 x 1.5 |
| 22 | 732-04047 | Extension Spring, 788 x 15 5 | 47 | 731-1636 | Mulch Plug |
| 23 | 732-0594A | Extension Spring, 91 x 7 33 | 48 | 712-3087 | Wing Nut, 1/4-20 |
| 24 | 734-0973 | Deck Wheel, 5 x 1.38 | | | |

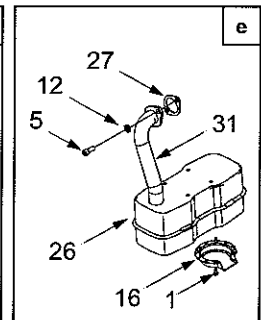
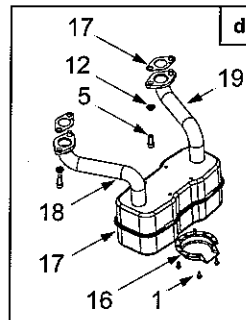
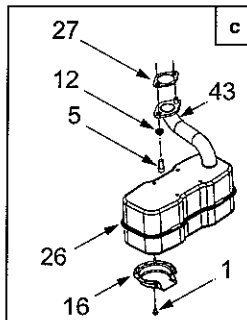
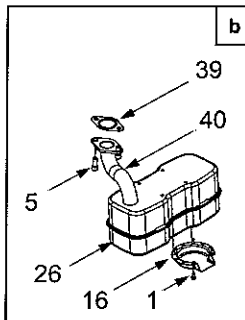
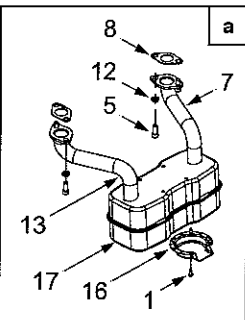
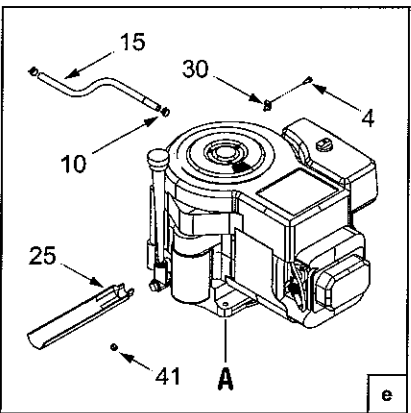
IMPORTANT: For a proper working machine, use Factory Approved Parts. **V-belts** are designed to engage and disengage safely. A substitute (non OEM) V-belt can be dangerous by not disengaging completely.

NOTE: Tractor features vary by model. NOT all parts listed above and pictured on the previous page are standard equipment.

Models 660 – 688



A. Models with a 46-inch Deck
 B. Models with a 38- or 42-inch Deck



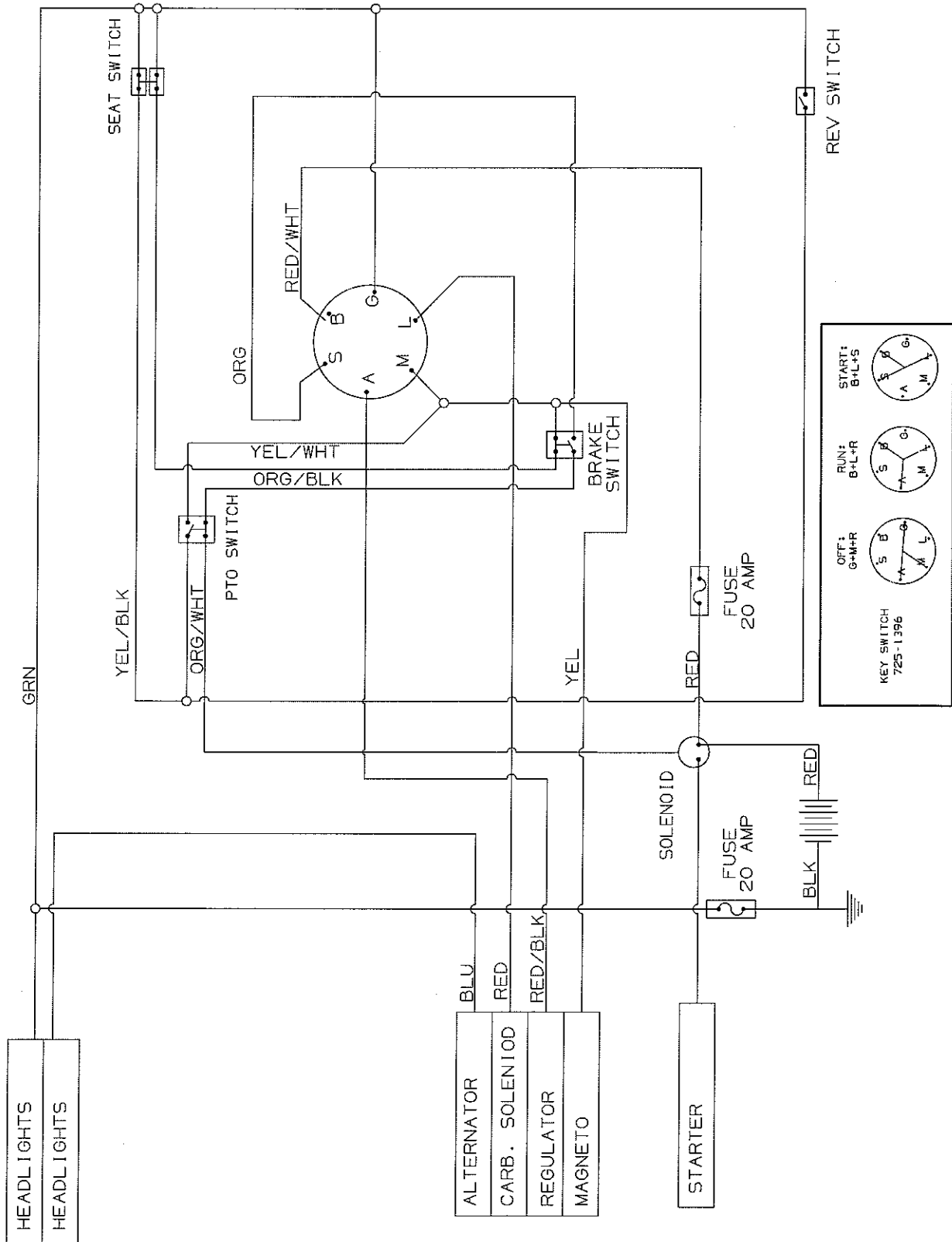
Models 660 – 688

| REF. NO. | PART NO. | DESCRIPTION |
|----------|------------|-----------------------------------|
| 1 | 710-0148 | Screw, #8-32 x .375 |
| 2 | 710-0599 | Self-tapping Screw, 1/4-20 x .5 |
| 3 | 710-0726 | Self-tapping Screw, 5/16-12 x .75 |
| 4 | 710-1237 | Screw, #10-32 x .625 |
| 5 | 710-1314A | Socket Cap Screw, 5/16-18 x .625 |
| 6 | 710-1315 | Self-tapping Screw, 3/8-16 x 1.25 |
| 7 | 751-0813 | LH Exhaust Pipe |
| 8 | 721-0460 | Exhaust Gasket |
| 9 | 726-0154 | Push-mount Cable Tie, 7.5 |
| 10 | 726-0205 | Hose Clamp, 490 |
| 11 | 726-0272 | Clamp, 9/16 |
| 12 | 736-0119 | Lock Washer, 5/16 |
| 13 | 751-0813 | RH Exhaust Pipe |
| 14 | 751B221535 | Casing Clamp |
| 15 | 751-0535 | Fuel Line Hose |
| 16 | 751-0564A | Muffler Deflector |
| 17 | 751-0616A | Muffler, Twin Inlet |
| 18 | 751-0650A | RH Exhaust Pipe |
| 19 | 751-0651A | LH Exhaust Pipe |
| 20 | 751-3140 | Oil Drain Valve |
| 21 | 751-3141 | Oil Drain Hose |
| 22 | 751-3142 | Oil Drain Cap |
| 23 | 783-0615C | Muffler Heat Shield |
| 24 | 783-0625C | Engine Heat Shield |
| 25 | 731-1682A | Oil Drain Sleeve |
| 26 | 751-0617A | Muffler, Single Inlet |
| 27 | 721-0208 | Exhaust Gasket |
| 28 | 737-0143 | Oil Drain Cap, 3/8-18 |
| 29 | 737-0199 | Oil Drain Pipe, 3/8-16 x 2.0 |
| 30 | 751B213146 | Casing Clamp |
| 31 | 751-0619A | Exhaust Pipe |
| 32 | 710-0227 | Screw, #8-18 x .50 |
| 33 | 710-3029 | Hex Screw, 7/16-20 x 1.25 |
| 34 | 711-1044 | Belt Keeper Pin, 5/16 x 4.75 |
| 35 | 736-0171 | Lock Washer, 7/16 |
| 36 | 736-0322 | Flat Washer, 450 x 1.25 x .164 |
| 37 | 750-0956 | Spacer, 1.0 x 1.4 x .825 |
| 38 | 756-04023 | Engine Pulley, 3.12 x 5.56 |
| 39 | 721-0348 | Exhaust Gasket |
| 40 | 751-0620 | Exhaust Pipe |
| 41 | 712-0271 | Hex Sems Nut, 1/4-20 |
| 42 | 725-0157 | Cable Tie, 7.4" |
| 43 | 751-0622 | Exhaust Pipe |

- (a) Tractor models with *Tecumseh* Twin-cylinder Engine
- (b) Tractor models with *Tecumseh* Single-cylinder Engine (16 HP - 18 HP)
- (c) Tractor models with *Tecumseh* Single-cylinder Engine (12 HP - 15 HP)
- (d) Tractor models with *Briggs and Stratton* OHV Twin-cylinder Engine
- (e) Tractor models with *Briggs and Stratton* OHV Single-cylinder Engine

NOTE: Tractor features vary by model. NOT all parts listed above and pictured on the previous page are standard equipment.

Models 660 – 688



MTD LLC, P.O. BOX 361131 CLEVELAND, OHIO 44136-9722