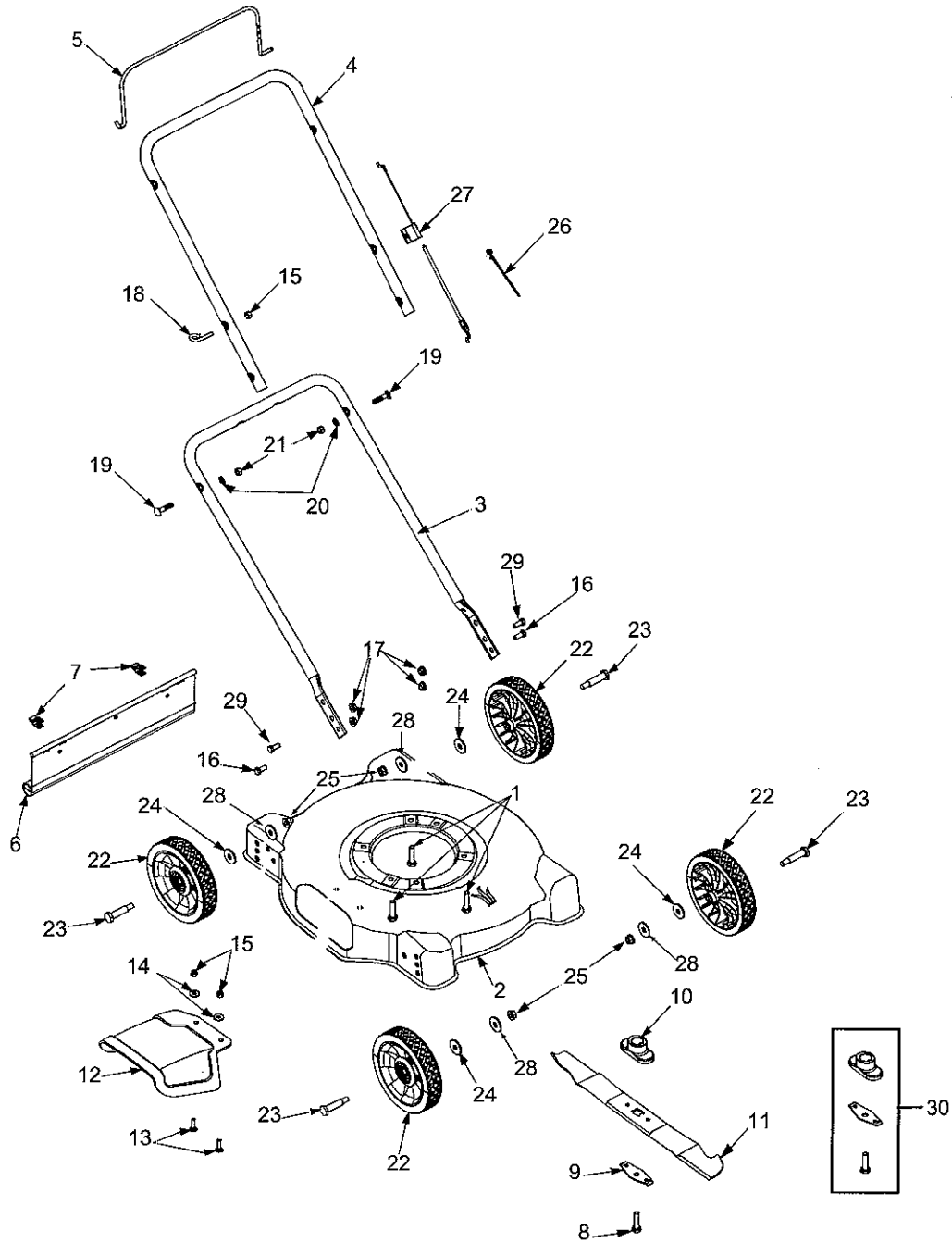


SECTION 7: PARTS LIST FOR SERIES 020



Series 020

Ref. No.	Part No.	Part Description
1.	710-0654A	Hex Ind. Washer Screw 3/8-16 x 1.0
2.	782-0048	Cutting Deck: 20"
3.	749-04037	Lower Handle
4.	749-1092A	Upper Handle
5.	747-1161A	Control Handle (Bail)
6.	731-0872A	Rear Flap
7.	17098	Hinge Clip
8.	710-1044	Screw 3/8-24 x 1.5" Group 8
9.	936-0524A	Blade Bell Support
10.	748-0376C	Blade Adapter
11.	742-0640	Cutting Blade
12.	731-0064	Discharge Chute
13.	710-0932	Carriage Screw 1/4-20 x 1.0"
14.	736-0173	Flat Washer
15.	712-0324	Lock Nut 1/4-20
16.	710-3008	Hex Bolt 5/16-18
17.	712-3004A	Lock Nut 5/16-18
18.	710-1205	Eye Bolt
19.	710-0262	Carriage Bolt 5/16-18 x 1.5"
20.	736-0119	Lock Washer
21.	712-0267	Nut 5/16-18
22.	734-1779	Wheel
23.	738-0533	Shoulder Screw .498 x 1.635
24.	736-0105	Bell Washer
25.	712-0798	Flange Lock Nut
26.	726-0240	Cable Tie
27.	746-0946	Control Cable (Model 021)
	746-0957	Control Cable (Models 020 & 022)
28.	736-0331	Bell Washer
29.	738-04033	Shoulder Screw, 3/8-16x.428
30.	753-0588	Blade Adapter Kit (Incl. Ref 8- 10)