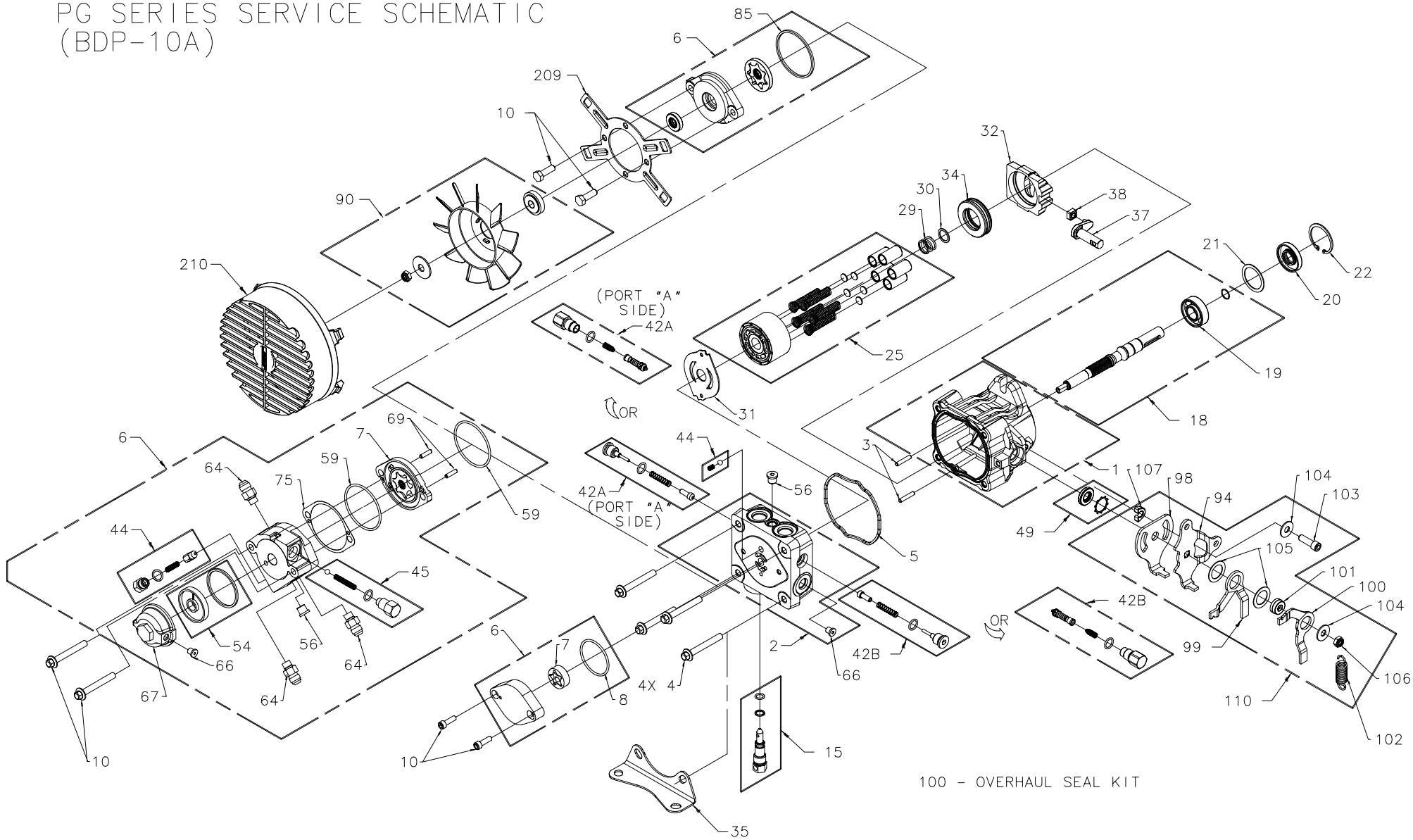
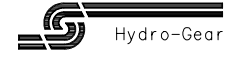


PG SERIES SERVICE SCHEMATIC (BDP-10A)



100 - OVERHAUL SEAL KIT



PG SERIES Item # Listing

MODEL NUMBER: P G - - - - -
 CHARACTER #: 1 2 - 3 4 5 6 - 7 8 9 10 - 11 12 13 14

GENERIC PARTS LISTING (ALL MODELS)		
ITEM #	COMPONENT #	DESCRIPTION
3	50641	STRAIGHT HEADLESS PIN
4	50969	HEX FLANGE BOLT M8-1.25 x 60mm Long
5	51232	HOUSING O-RING
8	9004101-1340	O-RING
19	50315	BALL BEARING 17 X 40 X 12
20	51161	LIP SEAL 17 X 40 X 7 PTC
21	50951	SPACER
22	50329	RETAINING RING
25	70331	CYLINDER BLOCK KIT
29	2003014	BLOCK SPRING
30	2003017	BLOCK THRUST WASHER
31	51444	VALVE PLATE
32	2003087	SWASHPLATE
34	50551	BALL THRUST BEARING
35	51593	BRACKET, TORQUE
38	2000015	SLOT GUIDE
49	2513043	TRUNNION SEAL / RETAINER KIT
54	2510090	AUXILIARY FILTER KIT
56	9005110-4400	STRAIGHT THREAD PLUG
59	9004100-1430	O-RING
64	51359	CONNECTOR, -6 -4 37 DEG SAE STR THD
66	9005110-3100	5/16" SAE PLUG
67	50994	FILTER COVER
69	50408	STRAIGHT HEADLESS PIN
75	51148	SHIM - CHARGE PUMP (.002 - RED)
85	51016	R-RING -144
94	51394	ARM, CONTROL
98	51391	ARM, RETURN
100	70525	OVERHAUL SEAL KIT
101	51604	SPACER, RTN
103	51400	SCREW, 5/16-24 X .75 (PATCH)
104	44130	WASHER .34 X .88 X .06
105	51408	WASHER,NYLON
106	50108	NUT, HEX LOCK 5/16-24 UNF (NYLON INSERT)
107	51561	SPACER
151	44130	WASHER
209	52016	BRACKET, CHROUD
210	52029	SHROUD, FAN

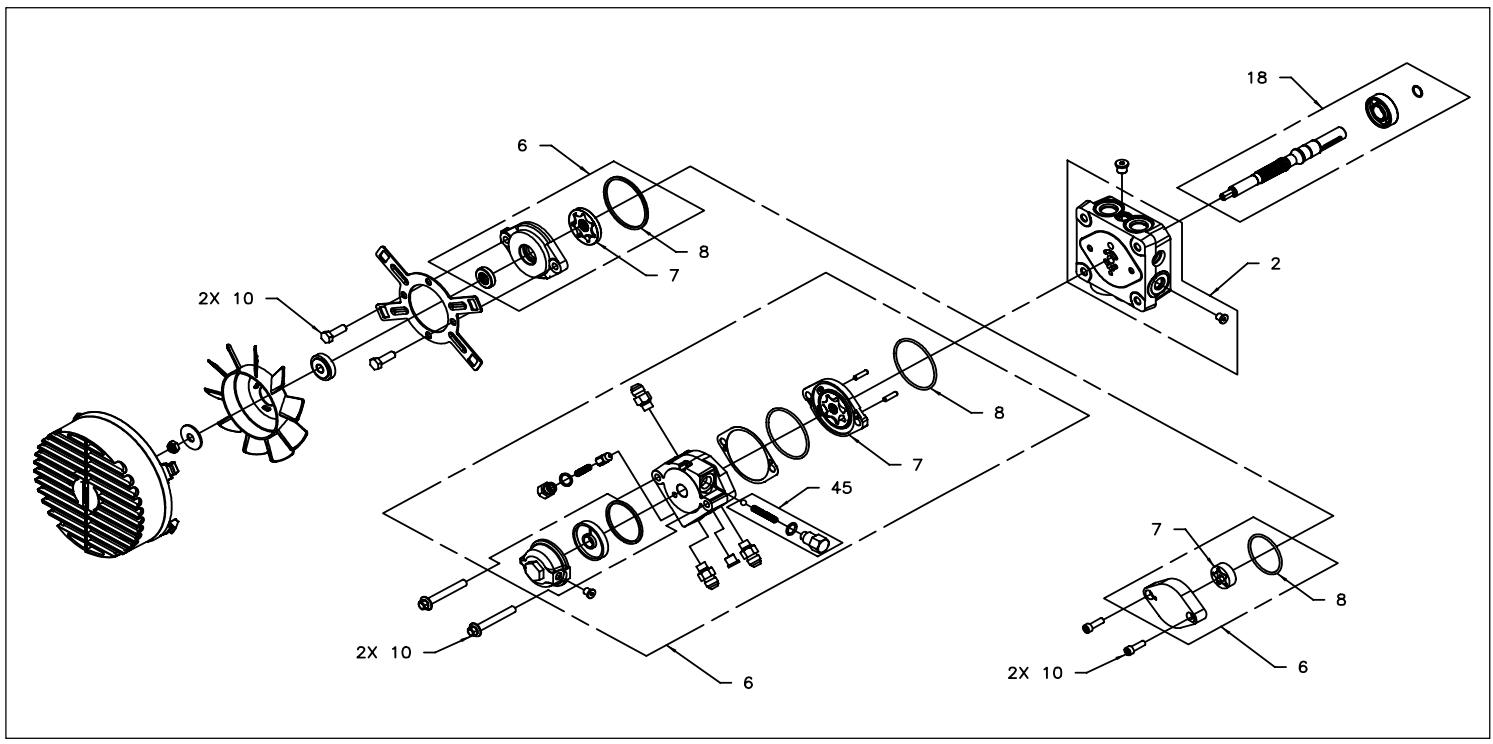
CHARACTER #S	PAGE #	
1	GENERIC PARTS	N/A
2	GENERIC PARTS	N/A
3	END CAP AND INPUT SHAFT KITS	6
4	ORIENTATION ONLY	N/A
5	SHOCK VALVE KITS, "A" SIDE	7
6	SHOCK VALVE KITS, "B" SIDE	7
7	CHARGE RELIEF AND AUXILIARY PUMP KITS	8
8	TRUNNION ARM, HOUSING AND RETURN KITS	9
9	BYPASS KITS	10
10	FAN AND HUB KITS	10
11	TORQUE BRACKET	10
12	SPECIAL INFORMATION	N/A
13	SPECIAL INFORMATION	N/A
14	SPECIAL INFORMATION	N/A

PG SERIES Item # Listing

MODEL NUMBER:

P	G	-														
1	2	-	3	4	5	6	-	7	8	9	10	-	11	12	13	14

END CAP AND INPUT SHAFT KITS				
CHARACTER 3	ITEM #	COMPONENT #	DESCRIPTION	QTY
A	2	70517	KIT, END CAP FOR POPPETS (STD CHG)	1
	6	2513027	KIT, CHG PUMP	1
	7	50273	GEROTOR	1
	8	9004101-1340	O-RING	1
	10	50975	CAPSCREW 6M X 1.0 X 25MM	2
	18	71262	KIT, PUMP SHAFT (5/8 STRAIGHT KEYED)	1
B	2	70519	KIT, END CAP FOR POPPETS (AUX CHG)	1
	6	SEE PAGE 8	DEPENDENT ON CHARACTER 7	1
	7	51049	GEROTOR	1
	8	9004100-1430	O-RING	1
	10	50969	HFHCS M8X1.25X60	2
	18	71249	KIT, PUMP SHAFT (5/8 KEYED, STD CHG)	1
C	45	2510082	KIT, AUX RELIEF VALVE	1
	2	70623	KIT, END CAP W/POPPETS, THRU (STD CHG)	1
	6	70622	KIT, CHG PUMP (STD CHG)	1
	7	51346	GEROTOR	1
	8	51016	O-RING	1
	10	9007200-3116	CAP SCREW 5/16-18	2
D	18	71250	KIT, PUMP SHAFT (5/8 KEYED, THRU)	1
	2	70517	KIT, END CAP FOR POPPETS (STD CHG)	1
	6	2513027	KIT, CHG PUMP	1
	7	50273	GEROTOR	1
	8	9004104-1340	O-RING	1
	10	50975	CAPSCREW 6M X 1.0 X 25MM	2
E	18	70523	KIT, PUMP SHAFT (9T 16/32)	1
	2	70519	KIT, END CAP FOR POPPETS (AUX CHG)	1
	6	SEE PAGE 8	DEPENDENT ON CHARACTER 7	1
	7	51049	GEROTOR	1
	8	9004100-1430	O-RING	1
	10	50969	HFHCS M8X1.25X60	2
F	18	70524	KIT, PUMP SHAFT (9T 16/32)	1
	45	2510082	KIT, AUX RELIEF VALVE	1
	2	70623	KIT, END CAP W/POPPETS, THRU (STD CHG)	1
	6	70622	KIT, CHG PUMP (STD CHG)	1
	7	51346	GEROTOR	1
	8	51016	O-RING	1
1	10	9007200-3116	CAP SCREW 5/16-18	2
	18	70726	KIT, PUMP SHAFT (9T 16/32 THRU)	1
	2	70517	KIT, END CAP FOR POPPETS (STD CHG)	1
	6	2513027	KIT, CHG PUMP	1
	7	50273	GEROTOR	1
	8	9004101-1340	O-RING	1
2	10	50975	CAPSCREW 6M X 1.0 X 25MM	2
	18	70521	KIT, PUMP SHAFT (15MM STRAIGHT KEYED)	1
	2	70519	KIT, END CAP FOR POPPETS (AUX CHG)	1
	6	SEE PAGE 8	DEPENDENT ON CHARACTER 7	1
	7	51049	GEROTOR	1
	8	9004100-1430	O-RING	1
3	10	50969	HFHCS M8X1.25X60	2
	18	70522	KIT, PUMP SHAFT (15MM STRAIGHT KEYED)	1
	45	2510082	KIT, AUX RELIEF VALVE	1
	2	70519	KIT, END CAP FOR POPPETS (AUX CHG)	1
	6	70622	KIT, CHG PUMP (STD CHG)	1
	7	51346	GEROTOR	1
4	8	51016	O-RING	1
	10	9007200-3116	CAP SCREW 5/16-18	2
	18	70620	KIT, PUMP SHAFT (15MM STRAIGHT KEYED, THRU)	1
	2	70623	KIT, END CAP W/POPPETS, THRU (STD CHG)	1
	6	70622	KIT, CHG PUMP (STD CHG)	1
	7	51346	GEROTOR	1
5	8	51016	O-RING	1
	10	9007200-3116	CAP SCREW 5/16-18	2
	18	71252	KIT, PUMP SHAFT (15MM TAPERED KEY, THRU)	1
	2	70623	KIT, END CAP W/POPPETS, THRU (STD CHG)	1
	6	70622	KIT, CHG PUMP (STD CHG)	1
	7	51346	GEROTOR	1
6	8	51016	O-RING	1
	10	9007200-3116	CAP SCREW 5/16-18	2
	18	71253	KIT, PUMP SHAFT (19T THRU)	1
	2	70623	KIT, END CAP W/POPPETS, THRU (STD CHG)	1
	6	70622	KIT, CHG PUMP (STD CHG)	1
	7	51346	GEROTOR	1



CHARACTER 3	ITEM #	COMPONENT #	DESCRIPTION	QTY
4	2	70517	KIT, END CAP FOR POPPETS (STD CHG)	1
	6	2513027	KIT, CHG PUMP	1
	7	50273	GEROTOR	1
	8	9004101-1340	O-RING	1
	10	50975	CAPSCREW 6M X 1.0 X 25MM	2
	18	70727	KIT, PUMP SHAFT (15MM TAPERED, KEYED)	1
5	2	70623	KIT, END CAP W/POPPETS, THRU (STD CHG)	1
	6	70622	KIT, CHG PUMP (STD CHG)	1
	7	51346	GEROTOR	1
	8	51016	O-RING	1
	10	9007200-3116	CAP SCREW 5/16-18	2
	18	71252	KIT, PUMP SHAFT (15MM TAPERED KEY, THRU)	1
6	2	70623	KIT, END CAP W/POPPETS, THRU (STD CHG)	1
	6	70622	KIT, CHG PUMP (STD CHG)	1
	7	51346	GEROTOR	1
	8	51016	O-RING	1
	10	9007200-3116	CAP SCREW 5/16-18	2
	18	71253	KIT, PUMP SHAFT (19T THRU)	1

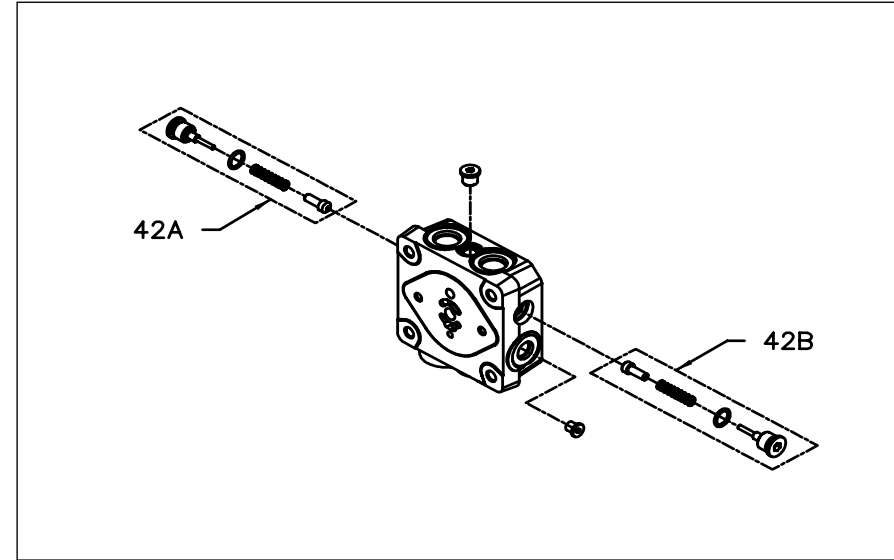
PG SERIES Item # Listing

MODEL NUMBER:
CHARACTER #:

P	G	-					-					-				
1	2	-	3	4	5	6	-	7	8	9	10	-	11	12	13	14

SHOCK VALVE KITS, "A" SIDE				
CHARACTER 5	ITEM #	COMPONENT #	DESCRIPTION	QTY
A	42A	70741	KIT, SHOCK VALVE (200 BAR, BLANK ORIFICE)	1
B		70742	KIT, SHOCK VALVE (200 BAR, .024 ORIFICE)	1
C		70743	KIT, SHOCK VALVE (200 BAR, .031 ORIFICE)	1
D		70744	KIT, SHOCK VALVE (200 BAR, .044 ORIFICE)	1
E		70836	KIT, SHOCK VALVE (160 BAR, BLANK ORIFICE)	1
F		70837	KIT, SHOCK VALVE (160 BAR, .024 ORIFICE)	1
G		70838	KIT, SHOCK VALVE (160 BAR, .031 ORIFICE)	1
H		70839	KIT, SHOCK VALVE (160 BAR, .044 ORIFICE)	1
J		70840	KIT, SHOCK VALVE (120 BAR, BLANK ORIFICE)	1
K		70841	KIT, SHOCK VALVE (120 BAR, .024 ORIFICE)	1
L		70842	KIT, SHOCK VALVE (120 BAR, .031 ORIFICE)	1
M		70843	KIT, SHOCK VALVE (120 BAR, .044 ORIFICE)	1
N		2510050	KIT, CHECK VALVE (BLANK ORIFICE)	1
P		2510062	KIT, CHECK VALVE (.024 ORIFICE)	1
Q		2510027	KIT, CHECK VALVE (.031 ORIFICE)	1
R		2510034	KIT, CHECK VALVE (.044 ORIFICE)	1
T		71254	KIT, CHECK VALVE (.016 ORIFICE)	1

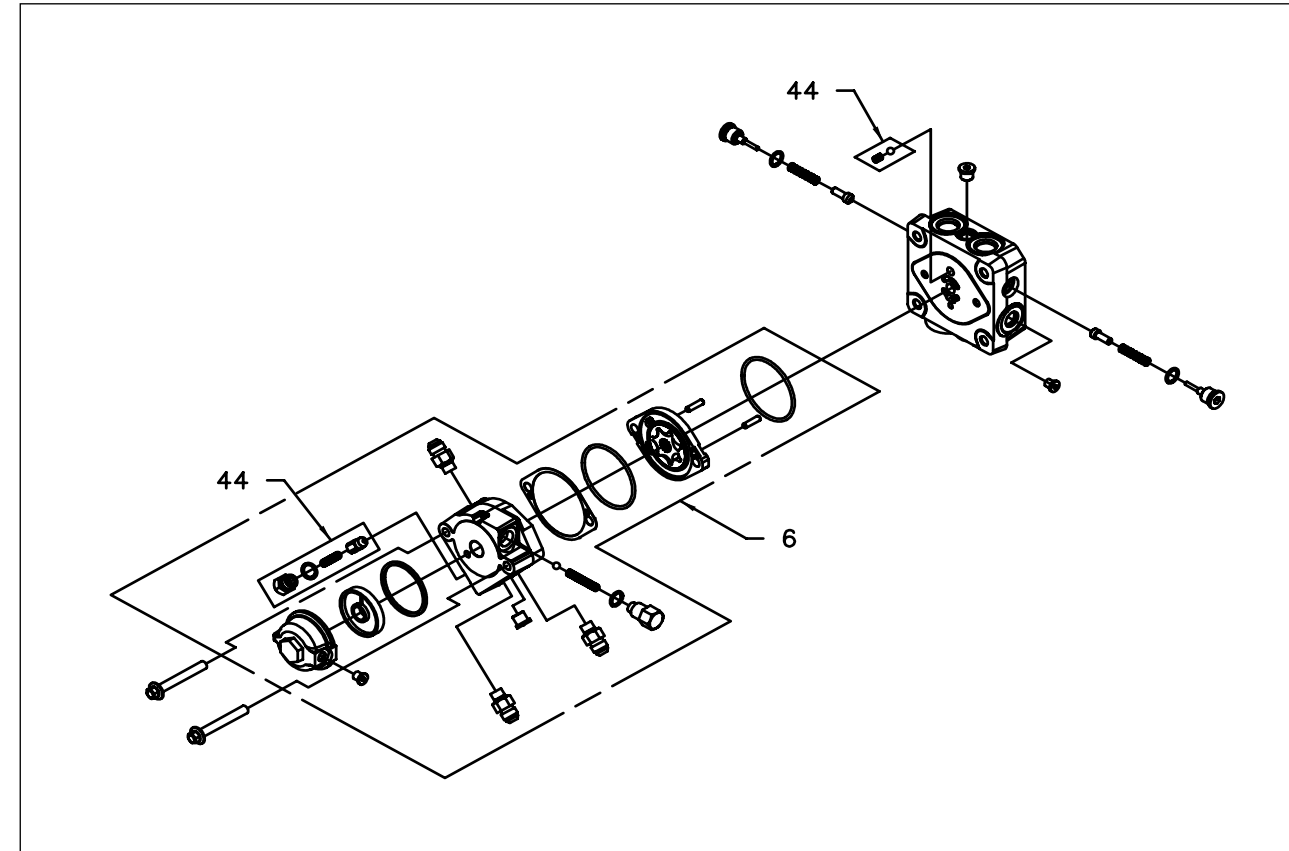
SHOCK VALVE KITS, "B" SIDE				
CHARACTER 6	ITEM #	COMPONENT #	DESCRIPTION	QTY
A	42B	70741	KIT, SHOCK VALVE (200 BAR, BLANK ORIFICE)	1
B		70742	KIT, SHOCK VALVE (200 BAR, .024 ORIFICE)	1
C		70743	KIT, SHOCK VALVE (200 BAR, .031 ORIFICE)	1
D		70744	KIT, SHOCK VALVE (200 BAR, .044 ORIFICE)	1
E		70836	KIT, SHOCK VALVE (160 BAR, BLANK ORIFICE)	1
F		70837	KIT, SHOCK VALVE (160 BAR, .024 ORIFICE)	1
G		70838	KIT, SHOCK VALVE (160 BAR, .031 ORIFICE)	1
H		70839	KIT, SHOCK VALVE (160 BAR, .044 ORIFICE)	1
J		70840	KIT, SHOCK VALVE (120 BAR, BLANK ORIFICE)	1
K		70841	KIT, SHOCK VALVE (120 BAR, .024 ORIFICE)	1
L		70842	KIT, SHOCK VALVE (120 BAR, .031 ORIFICE)	1
M		70843	KIT, SHOCK VALVE (120 BAR, .044 ORIFICE)	1
N		2510050	KIT, CHECK VALVE (BLANK ORIFICE)	1
P		2510062	KIT, CHECK VALVE (.024 ORIFICE)	1
Q		2510027	KIT, CHECK VALVE (.031 ORIFICE)	1
R		2510034	KIT, CHECK VALVE (.044 ORIFICE)	1
T		71254	KIT, CHECK VALVE (.016 ORIFICE)	1



PG SERIES Item # Listing

MODEL NUMBER: P G - - - - -
 CHARACTER #: 1 2 - 3 4 5 6 - 7 8 9 10 - 11 12 13 14

CHARGE RELIEF AND AUXILIARY PUMP KITS				
CHARACTER 7	ITEM #	COMPONENT #	DESCRIPTION	QTY
D OR N	44	70403	KIT, CHARGE RELIEF VALVE	1
F OR W	44	70402	KIT, CHARGE RELIEF VALVE	1
H	6	70577	KIT, AUXILIARY PUMP (AL 15T SPLINED, 2-7/16 SAE PORTS)	1
	44	2510081	KIT, CHARGE RELIEF	1
T	6	70582	KIT, AUXILIARY PUMP (AL SPLINED, 9/16 TUBE FITTINGS)	1
	44	2510081	KIT, CHARGE RELIEF	1
U	6	70582	KIT, AUXILIARY PUMP (AL SPLINED, 9/16 TUBE FITTINGS)	1
	44	2510081	KIT, CHARGE RELIEF	1
5	6	70577	KIT, AUXILIARY PUMP (AL 15T SPLINED, 2-7/16 SAE PORTS)	1
	44	2510081	KIT, CHARGE RELIEF	1



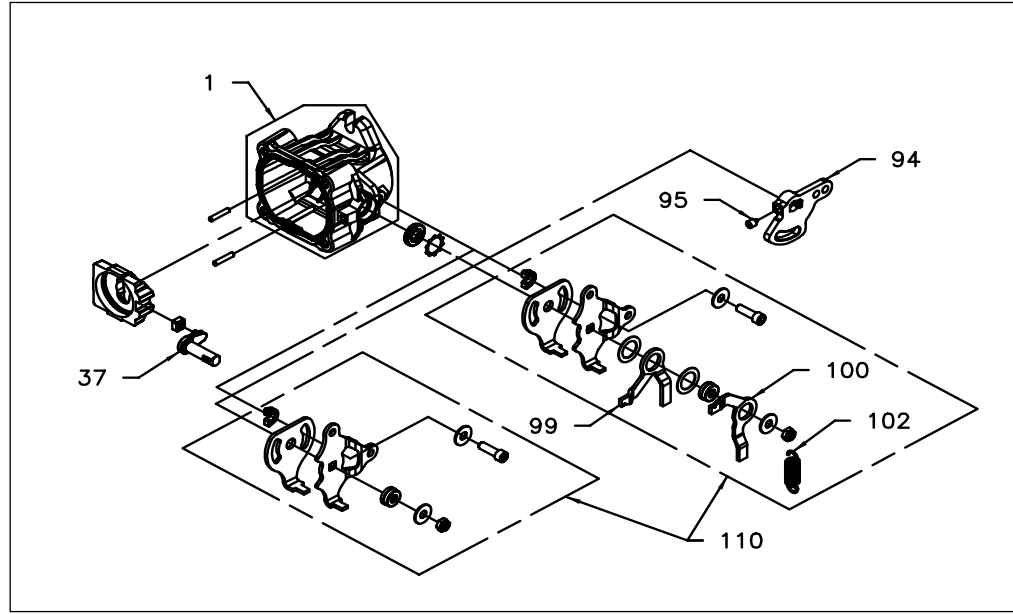
PG SERIES Item # Listing

MODEL NUMBER:
CHARACTER #:

P	G	-					-					-				
1	2	-	3	4	5	6	-	7	8	9	10	-	11	12	13	14

TRUNNION ARM, HOUSING AND RETURN KITS				
CHARACTER 8	ITEM #	COMPONENT #	DESCRIPTION	QTY
A, B	1	70797	KIT, HOUSING	1
	37	50807	ARM, TRUNNION, TAPERED SQUARE	1
	99	51392	ARM, RETURN SCISSOR INNER	1
	100	51393	ARM, RETURN SCISSOR OUTER	1
	102	51399	SPRING, EXTENSION (STD)	1
110	70794	KIT, RETURN	1	
C, D	1	70797	KIT, HOUSING	1
	37	50807	ARM, TRUNNION, TAPERED SQUARE	1
	99	51722	ARM, CW RETURN SCISSOR INNER	1
	100	51393	ARM, RETURN SCISSOR OUTSIDE	1
	102	51399	SPRING, EXTENSION (STD)	1
110	70846	KIT, RETURN	1	
E, F	1	70797	KIT, HOUSING	1
	37	50807	ARM, TRUNNION, TAPERED SQUARE	1
	99	51392	ARM, RETURN SCISSOR INNER	1
	100	51723	ARM, CCW RETURN SCISSORS OUTER	1
	102	51399	SPRING, EXTENSION (STD)	1
110	70847	KIT, RETURN	1	
G, H	1	70797	KIT, HOUSING	1
	37	50807	ARM, TRUNNION, TAPERED SQUARE	1
	99	51392	ARM, RETURN SCISSOR INNER	1
	100	51393	ARM, RETURN SCISSOR OUTSIDE	1
	102	51605	SPRING, EXTENSION (HVY)	1
110	70872	KIT, RETURN	1	
J, K	1	70797	KIT, HOUSING	1
	37	50807	ARM, TRUNNION, TAPERED SQUARE	1
	99	51722	ARM, CW RETURN SCISSOR INNER	1
	100	51393	ARM, RETURN SCISSOR OUTSIDE	1
	102	51605	SPRING, EXTENSION (HVY)	1
110	70873	KIT, RETURN	1	
L, M	1	70797	KIT, HOUSING	1
	37	50807	ARM, TRUNNION, TAPERED SQUARE	1
	99	51392	ARM, RETURN SCISSOR INNER	1
	100	51723	ARM, CCW RETURN SCISSORS OUTER	1
	102	51605	SPRING, EXTENSION (HVY)	1
110	70874	KIT, RETURN	1	
N, P	1	70797	KIT, HOUSING	1
	37	50807	ARM, TRUNNION, TAPERED SQUARE	1
	99	51392	ARM, RETURN SCISSOR INNER	1
	100	51393	ARM, RETURN SCISSOR OUTER	1
	102	51833	SPRING, EXTENSION (MED)	1
110	71034	KIT, RETURN	1	
Q, R	1	70797	KIT, HOUSING	1
	37	50807	ARM, TRUNNION, TAPERED SQUARE	1
	99	51722	ARM, CW RETURN SCISSOR INNER	1
	100	51393	ARM, RETURN SCISSOR OUTSIDE	1
	102	51833	SPRING, EXTENSION (MED)	1
110	71035	KIT, RETURN	1	
T, U	1	70797	KIT, HOUSING	1
	37	50807	ARM, TRUNNION, TAPERED SQUARE	1
	99	51392	ARM, RETURN SCISSOR INNER	1
	100	51723	ARM, CCW RETURN SCISSORS OUTER	1
	102	51833	SPRING, EXTENSION (MED)	1
110	71036	KIT, RETURN	1	

CHARACTER 8	ITEM #	COMPONENT #	DESCRIPTION	QTY
Y	1	70516	KIT, HOUSING	1
	37	2003005	ARM, TRUNNION, DOUBLE D	1
Z	1	70516	KIT, HOUSING	1
	37	2003005	ARM, TRUNNION, DOUBLE D	1
	94	45007	ARM, CONTROL	1
1	95	50018	SCREW, SOCKET HEAD SET, 5/16-24 X .50	1
	1	70797	KIT, HOUSING	1
2, 3	37	50807	ARM, TRUNNION, TAPERED SQUARE	1
	110	71255	KIT, RETURN	1
4, 7	1	70797	KIT, HOUSING	1
	37	50807	ARM, TRUNNION, TAPERED SQUARE	1
	99	51993	ARM, RETURN INSIDE	1
	100	51994	ARM, RETURN OUTSIDE	1
	102	51883	SPRING, EXTENSION (MED)	1
5, 6	110	71263	KIT, RETURN	1
	1	70797	KIT, HOUSING	1
	37	50807	ARM, TRUNNION, TAPERED SQUARE	1
	99	51991	ARM, RETURN INSIDE	1
	100	51992	ARM, RETURN OUTSIDE	1
	102	51833	SPRING, EXTENSION (MED)	1
110	71264	KIT, RETURN	1	



PG SERIES Item # Listing

MODEL NUMBER:
CHARACTER #:

P	G	-					-					-				
1	2	-	3	4	5	6	-	7	8	9	10	-	11	12	13	14

BYPASS KITS				
CHARACTER 9	ITEM #	COMPONENT #	DESCRIPTION	QTY
1	15	2513030	KIT, BYPASS	1
2		2513031	KIT, BYPASS	1
3		50918	KALLEVIG VALVE (TORO ONLY)	1

FAN & HUB KITS				
CHARACTER 10	ITEM #	COMPONENT #	DESCRIPTION	QTY
X		N/A	NONE	0
A	90	71172	KIT, HUB 6" FAN CCW	1
B, D	90	71172	KIT, HUB 6" FAN CCW	1
	209	52016	BRACKET, SHROUD	1
C, E	90	71172	KIT, HUB 6" FAN CCW	1
	209	52016	BRACKET, SHROUD	1
	210	52059	SHROUD	1
1	90	70793	KIT, HUB 7" FAN CCW	1
2		70811	KIT, HUB 7" FAN CW	1
3		70629	KIT, HUB 6" FAN CCW	1
4		70632	KIT, HUB 7" FAN CCW	1

TORQUE BRACKET				
CHARACTER 11	ITEM #	COMPONENT #	DESCRIPTION	QTY
X	35	N/A	NONE	0
1, 2, 3, 4		51593	TORQUE BRACKET	1

