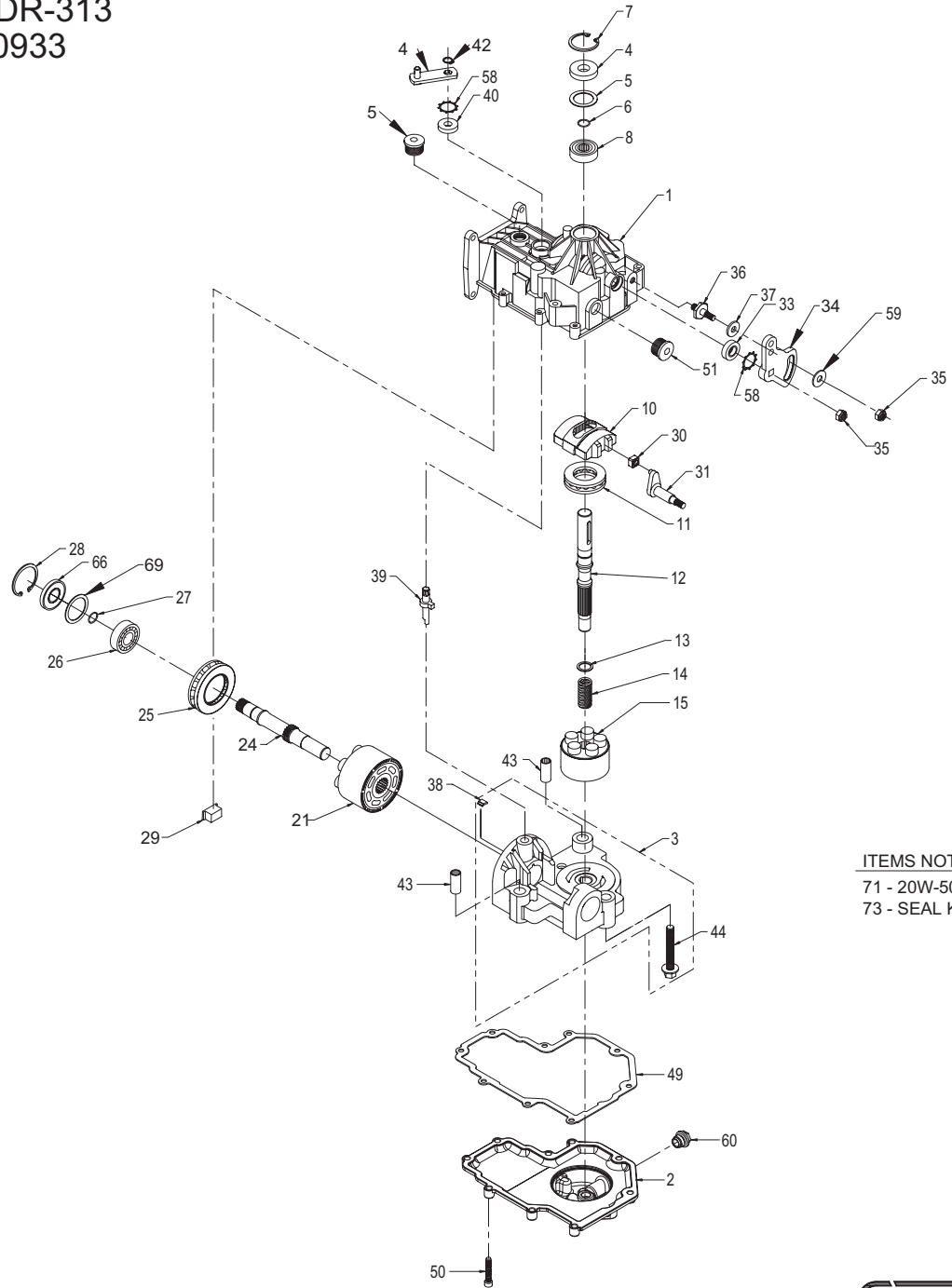


BDR-313  
70933



ITEMS NOT SHOWN  
71 - 20W-50 OIL  
73 - SEAL KIT



BDR-313  
70933

ITEM #	PART #	QTY	DESCRIPTION		
1	70427	1	KIT, UPPER HOUSING		
		1	HOUSING, UPPER MACHINED		
		1	BUSHING, TRUNNION 10cc		
		2	BEARING, CRADLE 10cc		
2	51859	1	HOUSING, LOWER		
3	70934	1	KIT, CENTER SECTION		
		1	CENTER SECTION		
		1	BUSHING .673 X 1.02 X .75		
		1	PLATE, BYPASS		
		3	HFHCS 3/8-24 X 2.5 (PATCH)		
		2	ASSEMBLY, CHECK PLUG .027 SPRING		
		4	9008000-0128	1	SEAL, LIP 15 X 35 X 7
		5	2003018	1	WASHER, .98 X 1.37 X .04
		6	2003016	1	RING, WIRE RETAINING .512 ID
		7	2003052	1	RING, RETAINING 37 INT
8	2003043	1	BEARING, BALL 15 C 35 X 11 OPEN		
10	2003087	1	SWASHPLATE, 10cc		
11	50551	1	BEARING, THRUST BALL 30 X 52 X 13		
12	2003021	1	SHAFT, PUMP		
13	2003017	1	WASHER, THRUST .59 X .78 X .04		
14	2003014	1	SPRING, BLOCK		
15	70331	1	ASSEMBLY, 10cc CYLINDER BLOCK		
		5	WASHER, PISTON SEAT .47 OD		
		5	PISTON, 10cc		
		1	BLOCK, CYLINDER 10cc		
		5	SPRING, PISTON 10cc		
21	70082	1	ASSEMBLY, 21cc CYLINDER BLOCK		
		7	WASHER, PISTON SEAT .47 OD		
		7	PISTON, 21cc		
		1	BLOCK, CYLINDER 21cc		
		7	SPRING, PISTON 21cc		

ITEM #	PART #	QTY	DESCRIPTION
24	50304	1	SHAFT, MOTOR
25	50552	1	BEARING, THRUST BALL 42 X 68 X 16
26	50315	1	BEARING, BALL 17 X 40 X 12 OPEN
27	2000022	1	RING, WIRE RETAINING .561 ID
28	50329	1	RING, RETAINING 1.56 INT
29	50649	1	RETAINER, MOTOR BEARING
30	2000015	1	GUIDE, SLOT
31	50807	1	ARM, TRUNNION 10cc SQ TAPER
33	51041	1	SEAL, LIP 12 X 25 X 5
34	50733	1	ARM, CONTROL PM SQR TRUNNION
35	50317	2	NUT, HEX 5/16-24 NYLON INSERT
36	50426	1	STUD, DB END 5/16-24 X 1.5 PATCH
37	50281	1	PUCK, FRICTION
38	70680	1	KIT, BYPASS PLATE
39	2003555	1	ACTUATOR, BYPASS
40	45074	1	SEAL, LIP 10 X 25 X 7
41	50270	1	ARM, BYPASS
42	44870	1	RING, RETAINING .31 EXT
43	50002	2	PIN-HOLLOW .39 X .5 X 1.12
44	50016	3	HFHCS 3/8-24 X 2.5 PATCH
49	50331	1	GASKET
50	44876	9	THCS-STAP 1/4-20 X 1.4
51	9005110-8700	2	PLUG, 7/8-14 (METAL)
58	50650	2	RING, RETAINING-STAR WASH 1.0
59	44130	1	WASHER, .34 X .88 X .06
60	9005200-5600	1	PLUG, 9/16-18 (PLASTIC)
66	51161	1	SEAL, LIP 17 X 40 X 7
69	50951	1	WASHER, 1.23 X 1.56 X .04
71		34.6oz	OIL, 20W50
73	70490	1	KIT, SEAL