




Service Note		N0203014
		2002-05

Subject: Brake Band Support Kit

Effected Model Numbers: Gen II Husqvarna Turf Care Mowers

All ZTH52 and ZTH61 Serial Numbers prior to 020900001

Service Information:

On all ZTH Gen II units built after March 1, 2002, and new brake band anchoring system was installed. This system anchors the brake band straight, so it cannot twist as it did as the old style anchor bolt bent.

This brake band anchoring system has been released as a repair kit, to be used anytime a brake band failure occurs from a bent or broken anchor bolt.

The 2 page kit instruction sheet is attached for additional information.

Parts Information:

P/N 539106792 - Brake Band Support Kit (kit fits both sides)

Warranty Information:

Information only. Normal warranty policy applies.

**INSTRUCTION SHEET FOR
BRAKE BAND SUPPORT KIT (part # 539106792)**

KIT WILL FIT THE FOLLOWING MODELS:

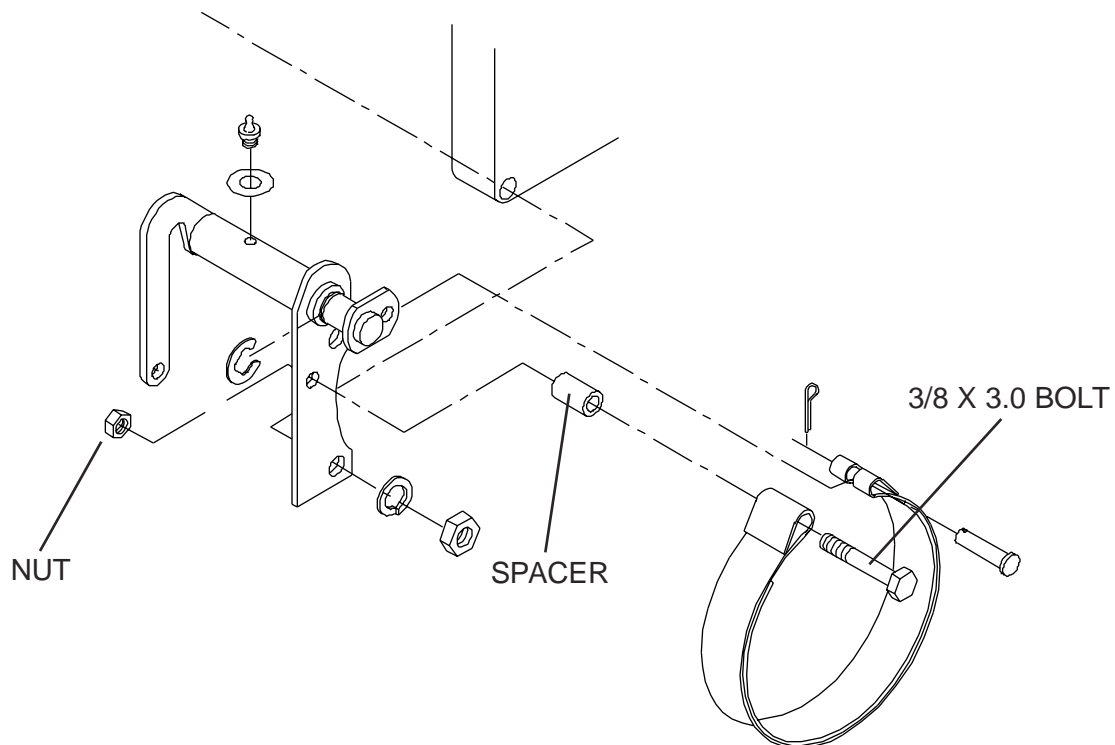
968999159 THRU 166 & 171-173-175-178-179-180 THRU 189-201-202

ZVKH52230-ZVKW52250-ZVKW61230-ZVKHL61230-ZVKH61250-ZVKW61250-ZVKH61260-
ZVKH61270-ZVKH72260-ZVKH72270

Installation instructions:

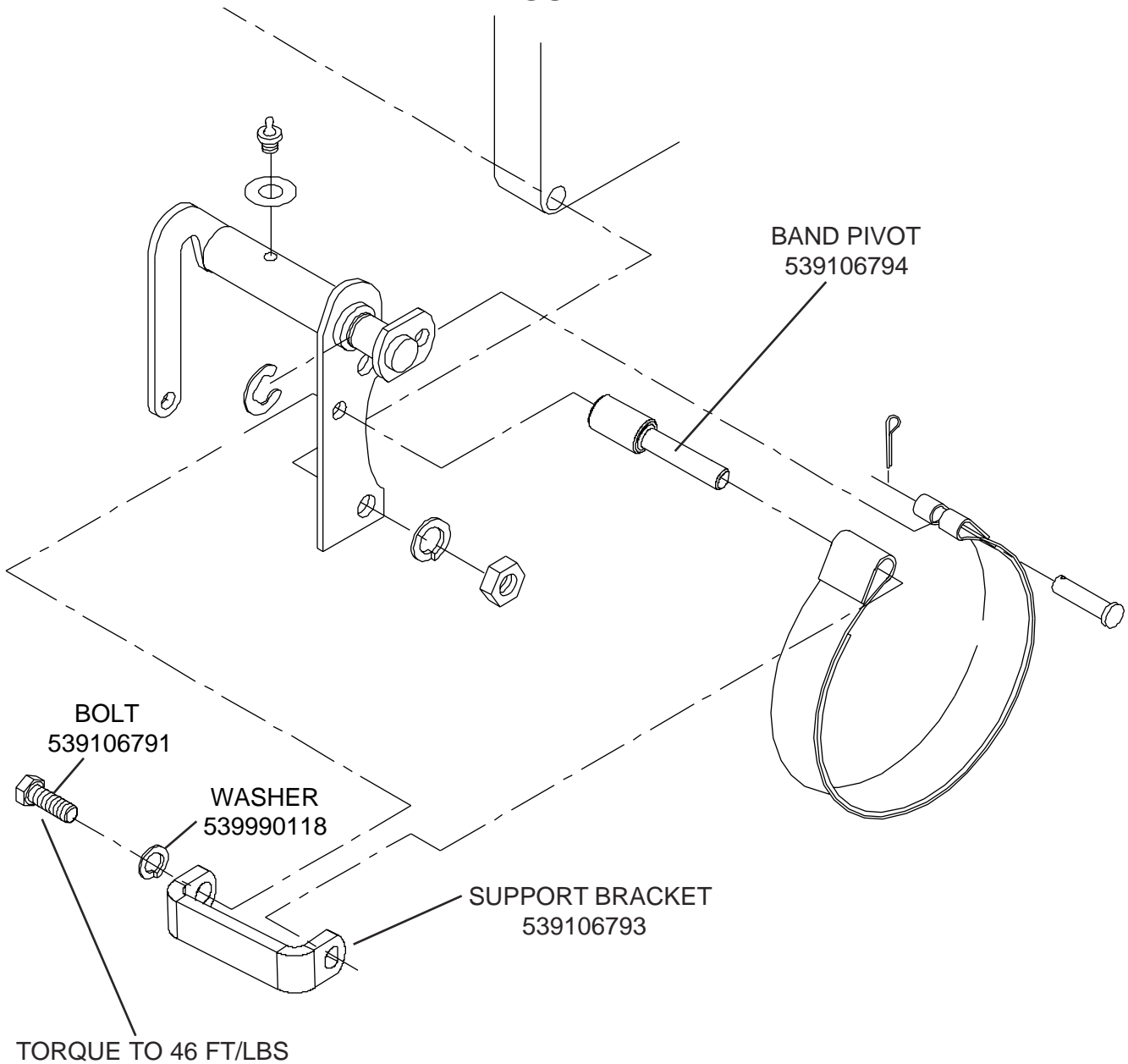
1. Remove the key before performing any work on the machine.
2. Jack the rear of the machine up and remove the rear wheels. Use automotive style jack stands to secure unit.
3. Remove the HCS 3/8 x 3.0 bolt and nut from the brake band loop. Also remove the spacer.
4. Replace the HCS 3/8 x 3.0 bolt with the band pivot part no. 539106794.
5. Install support bracket part no. 539106793 as shown in figure 2. Install HCS 3/8 x 1.0 with lock washer through the brake bracket into the band pivot. Torque bolt to 46 ft/lbs
6. Repeat steps 3 through 5 on opposite side.

**OLD STYLE
FIGURE 1**



MANUAL 539106795 REV IR (02/20/02)

**NEW STYLE
FIGURE 2**



PARTS LIST

PART NO.	DESCRIPTION
539106793	SUPPORT BRACKET
539106791	BOLT HCS 3/8 X 1.0
539990118	WASHER 3/8 LOCK
539106794	BAND PIVOT
539106792	COMPLETE KIT