

## All Riders and Tractors

### Hydrostatic transmissions Hydro-Gear.

To increase the degree of service towards our customers we have made all hydrostats/ transmissions available as spare parts at our warehouse in Sweden. We will also make some components available, such as gaskets and external components.

We will also handle warranties for these parts through our warranty system.

**NOTE!**

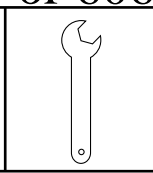
Hydrostats should be returned with the warranty form for Hydro-Gear to Husqvarna for inspection.

| Model               | Hydrostat  | Ref. No.                     | Transmission | Ref. No.     |
|---------------------|--|------------------------------|--------------|--------------|
| Rider 1000          | BDU 10 S-115   | 506 77 45-01                 | Kanzaki K110 | 506 77 42-01 |
| Rider 1200          | BDU 10 S-115   | 506 77 45-01                 | Kanzaki K110 | 506 77 42-01 |
| LTH 125             | BDU 10 S-114   | 532 12 14-30                 | 214-1010 S   | 532 12 14-31 |
| YTH 142             | BDU 10 S-114   | 532 12 14-30                 | 214-1010 S   | 532 12 14-31 |
| LT 4140 H           | BDU 10 S-116<br>Discontinued replaced by<br>BDU 10 S-114 | 533 31 02-27<br>532 12 14-30 | 217-1010 S   | 533 32 67-69 |
| LTH 130             | 310-0500   | 532 14 06-07                 | _____        |              |
| YTH 150<br>(France) | 310-0650   | 532 15 00-71                 | _____        |              |
| YTH 180<br>(France) | 310-0650   | 532 15 00-71                 | _____        |              |

In some countries it can be easier to contact Hydro-Gear's agent in Europe for warranty returns and spare parts.

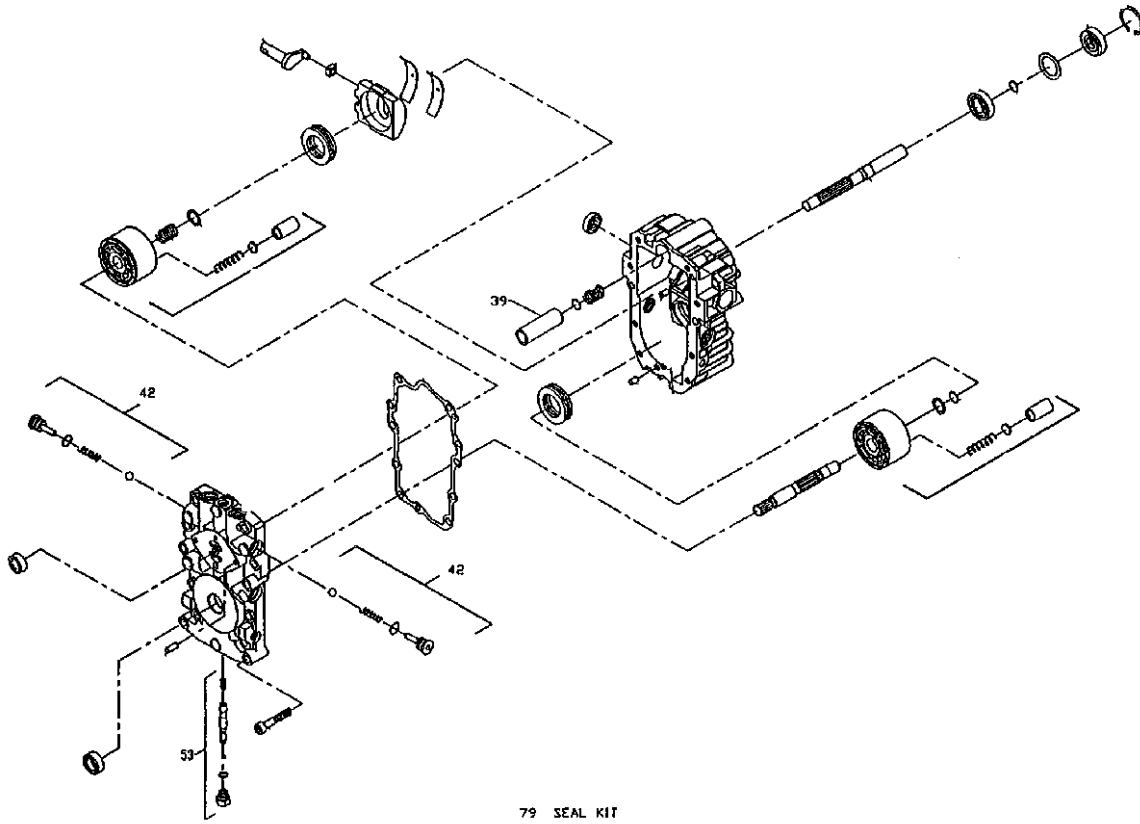
Rapid Machines and Vehicules Ltd.  
CH -8953 Dietikon 1  
Switzerland

Tel: +41 1 743 11 11  
Fax: +41 1 740 85 25

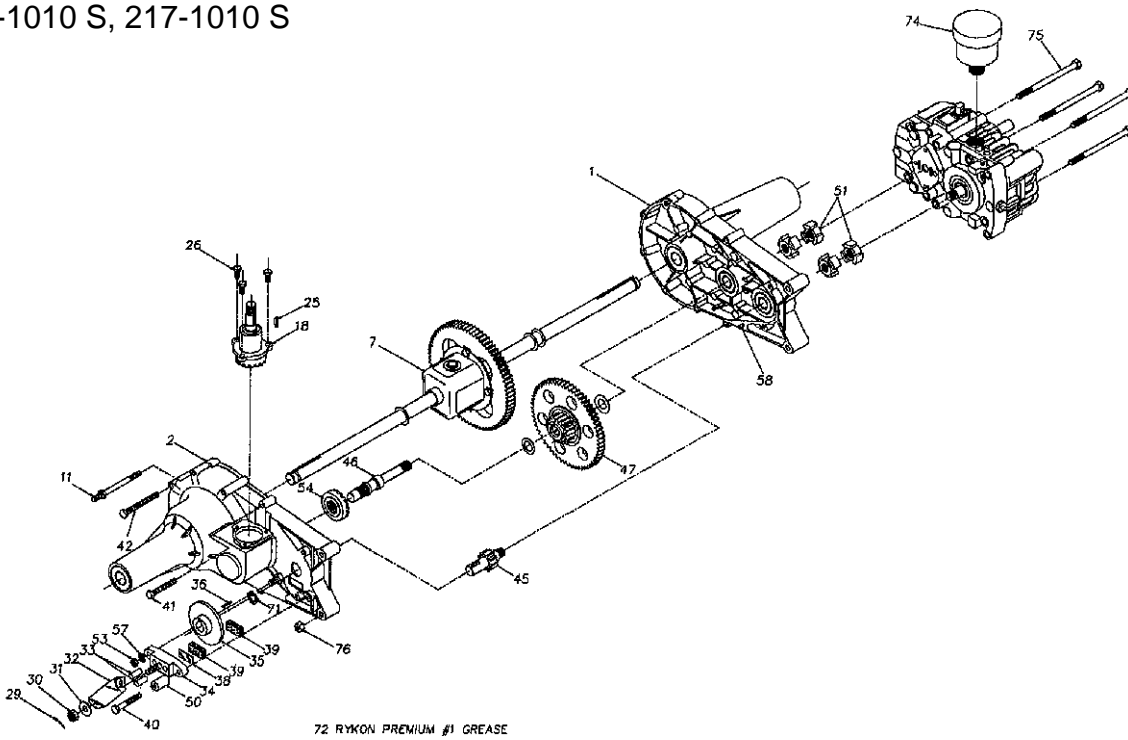


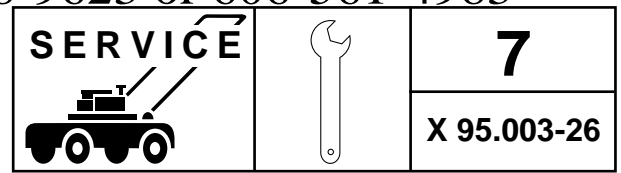
**7**  
X 95.003-26

BDU-10 S-114, BDU-10 S-115, BDU-10 S-116



214-1010 S, 217-1010 S



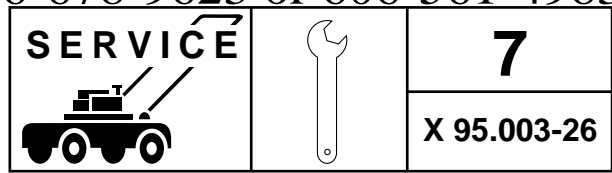


*Components in BDU-10 S-114, BDU-10 S-115 and BDU-10 S-116*

| Pos | Hydro-Gear Ref. No. | Husqvarna Ref. No. | Description       |
|-----|---------------------|--------------------|-------------------|
| 39  | 2003003             | 532 12 27-31       | Filter            |
| 42  | 2510008             | 532 12 71-52       | Check valve kit   |
| 53  | 2513011             | 532 12 71-53       | Bypass valve kit  |
| 79  | 2513013             | 532 12 71-54       | Overhaul seal kit |

*Components in 214-1010 S and 217-1010 S*

| Pos | Hydro-Gear Ref. No. | Husqvarna Ref. No. | Description                   |
|-----|---------------------|--------------------|-------------------------------|
| 1   | 62783               | 533 32 40-90       | *2 Assy housing left          |
| 1   | 62587               | 532 12 26-14       | *1 Assy housing left          |
| 2   | 62586               | 532 12 26-15       | Assy housing right            |
| 7   | 62784               | 533 32 40-93       | *2 Assy Differential complete |
| 7   | 62634               | 532 14 28-93       | *1 Assy Differential complete |
| 11  | 44271               | 532 12 26-88       | *1 Stud bolt                  |
| 18  | 62579               | 533 32 40-95       | *2 Input shaft cmpl.          |
| 18  | 62636               | 532 12 26-42       | *1 Input shaft cmpl.          |
| 25  | 44136               | 532 12 26-49       | Key                           |
| 26  | 44122               | 532 12 26-50       | Screw                         |
| 29  | 44101               | 532 12 26-56       | Split pin                     |
| 30  | 44142               | 532 12 26-58       | Nut                           |
| 31  | 44130               | 532 12 26-59       | Washer                        |
| 32  | 44094               | 533 32 36-65       | *2 Arm, brake actuator        |
| 32  | 23710               | 532 12 26-60       | *1 Arm, brake actuator        |
| 33  | 44127               | 532 12 26-62       | Pin                           |
| 34  | 62589               | 532 12 26-63       | Brake yoke                    |
| 35  | 44090               | 532 12 26-64       | Disc brake                    |
| 36  | 44143               | 532 12 30-65       | Key                           |
| 38  | 44134               | 532 12 26-67       | Plate                         |
| 39  | 44132               | 532 12 26-68       | Brake shoe                    |
| 40  | 44433               | 874 78 04-16       | *2 Bolt                       |
| 40  | 44300               | 532 12 30-66       | *1 Bolt                       |
| 41  | 44123               | 532 12 26-70       | Bolt                          |
| 42  | 44124               | 532 12 26-71       | Bolt                          |
| 45  | 44083               | 532 12 26-74       | Axle                          |
| 46  | 44080               | 532 12 26-75       | Axle                          |
| 47  | 62760               | 532 12 69-80       | Gear reduction cmpl.          |
| 50  | 23711               | 532 12 26-89       | *1 Spacer                     |



|    |         |              |          |
|----|---------|--------------|----------|
| 51 | 44084   | 532 12 18-39 | Clutch   |
| 53 | 43178   | 532 12 26-82 | Nut      |
| 54 | 44079   | 532 12 26-83 | Pinion   |
| 57 | 43177   | 532 12 26-86 | Washer   |
| 58 | 44269   | 532 12 26-87 | Pin      |
| 71 | 44378   | 532 12 30-63 | Seal     |
| 72 | 50299   | 532 12 69-76 | Grease   |
| 74 | 2003081 | 506 77 47-01 | Oil tank |
| 75 | 44820   | 874 76 05-72 | Bolt     |
| 76 | 43083   | 873 68 05-00 | Nut      |

\*1 Only 214-1010 S

\*2 Only 217-1010 S