

Rider 970

We have on some machines noticed breakage on the lifting cable 506 87 03-01.

This is due to that cable wears on the plate to the chassis at the inlet above the attachment in the tool frame. This occurs when mowing with a slack cable.

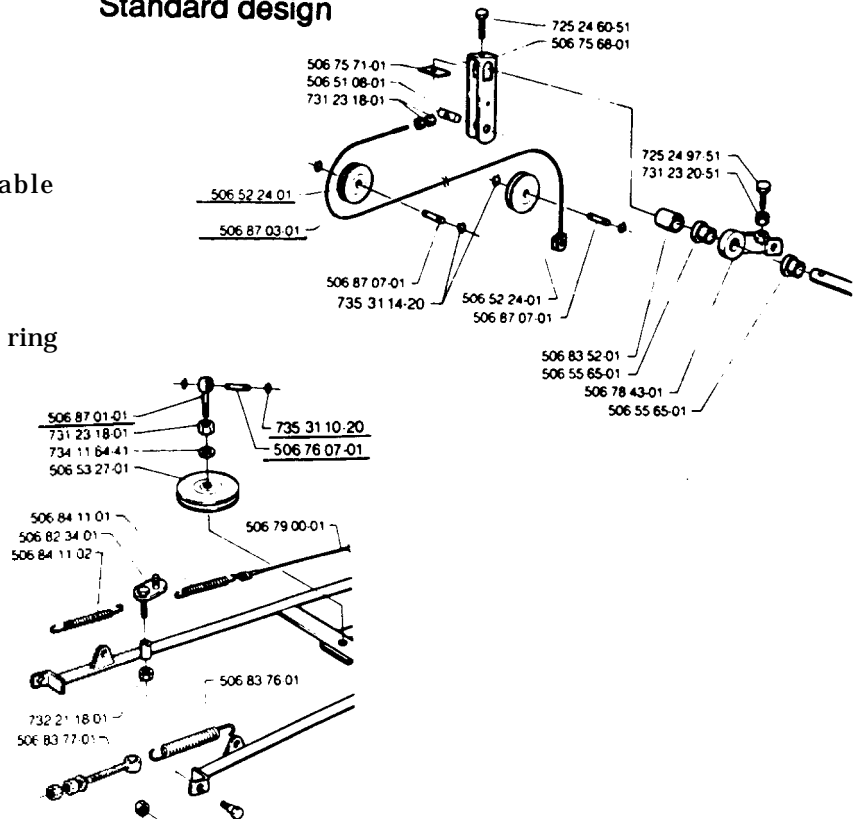
In order to remedy this problem we have introduced a roller chain which replaces the cable.

When mounting the chain, new pulleys and new eye bolts are required.

Excluded parts

- 1 pc 506 87 03-01 Lifting cable
- 2 pcs 506 52 24-01 Pulley
- 1 pc 506 87 01-01 Eye bolt
- 1 pc 506 76 07-01 Pin
- 2 pcs 735 31 10-20 Locking ring

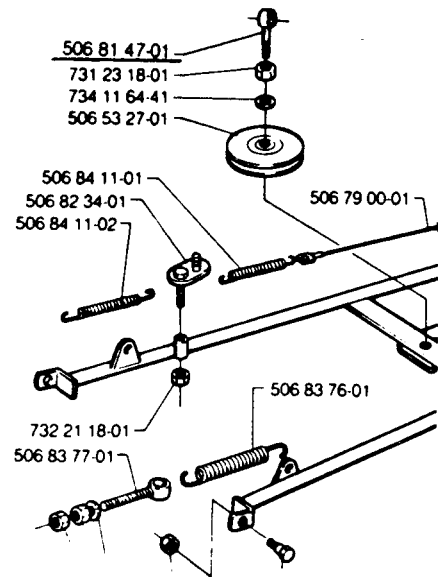
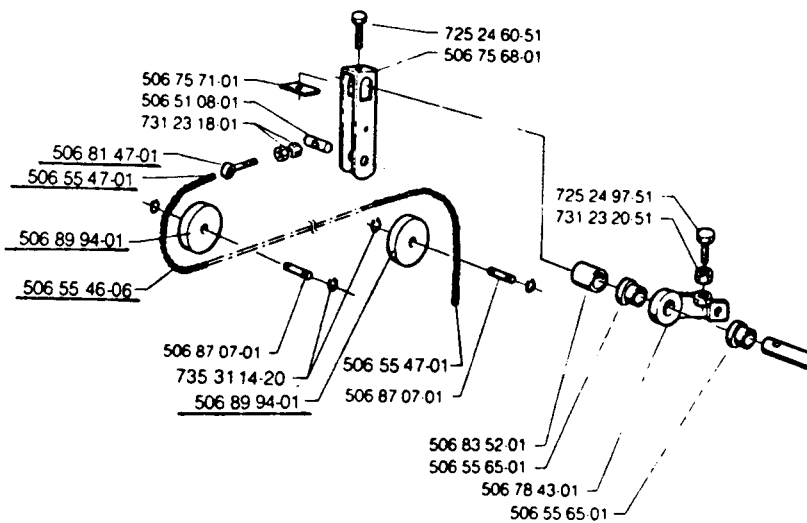
Standard design



New parts

- 1 pc 506 55 46-06 Roller chain
- 2 pcs 506 89 94-01 Pulley
- 2 pcs 506 81 47-01 Eye bolt
- 2 pcs 506 55 47-01 Chain lock

Rebuilt design



On machines with frequent problems with the lifting cable, it is advisable to change to this chain.

There is no kit-number for the new parts. They have to be ordered by each ref. no.