



SERVICE 		4
		X 88.128-26

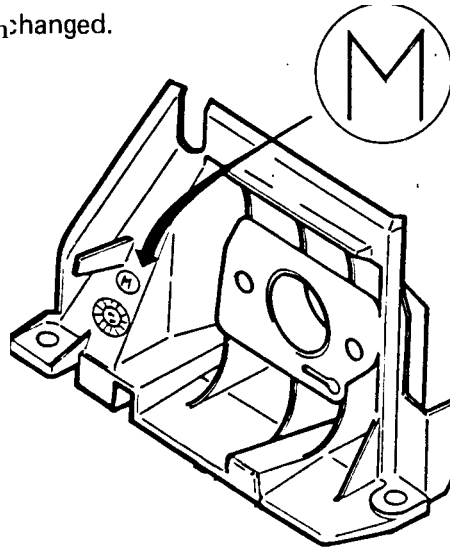
MODELS 40, 45

INTERMEDIATE WALL

In order to simplify mounting of the cylinder cover, the intermediate wall is changed.

The changed is introduced from the marking M.
The M marked intermediate wall is fully interchangeable to older design of intermediate wall.

Ref. No. 506 01 35-02 remains unchanged.



NOTE! Intermediate walls with markings earlier than M (i.e. A-L) should not be mounted on crankcase Ref. No. 503 49 82-02.