

MODEL 281

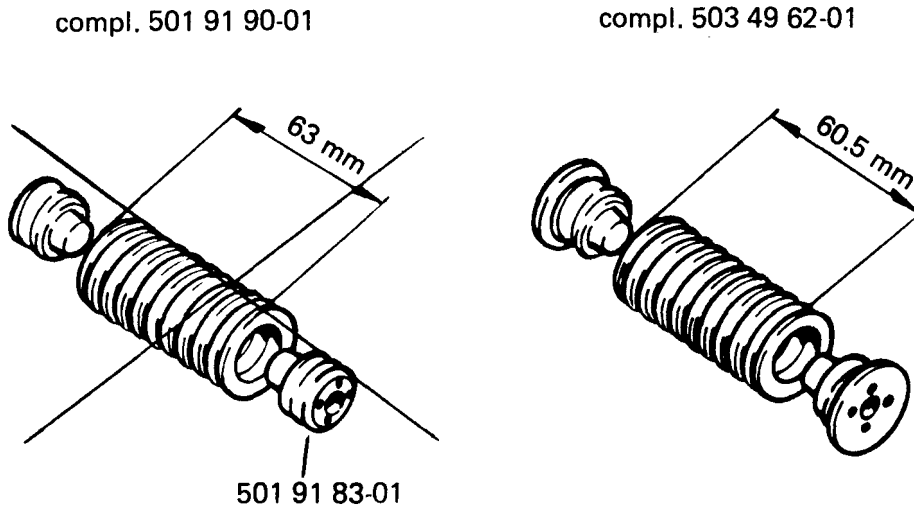
NEW AV ELEMENT COMPL.

<u>New Ref. No.</u>	<u>Description</u>	<u>Excluded Ref. No.</u>
503 49 62-01	AV element compl. Spring holder	501 91 90-01 501 91 83-01

The new AV-element has a spring holder with flange, which means that the spring is shorter. In order to simplify the spare parts handling in the future, the new element will be available as a complete unit only.

Note that the spring holder 501 91 83-01 only fits on 501 91 90-01.

The spring holder 501 91 83-01 will only remain as a spare part during a transition period.



The change was introduced about the 16th of January 1987.