





<b>SERVICE</b> 		<b>13</b>
		X 87.103-26

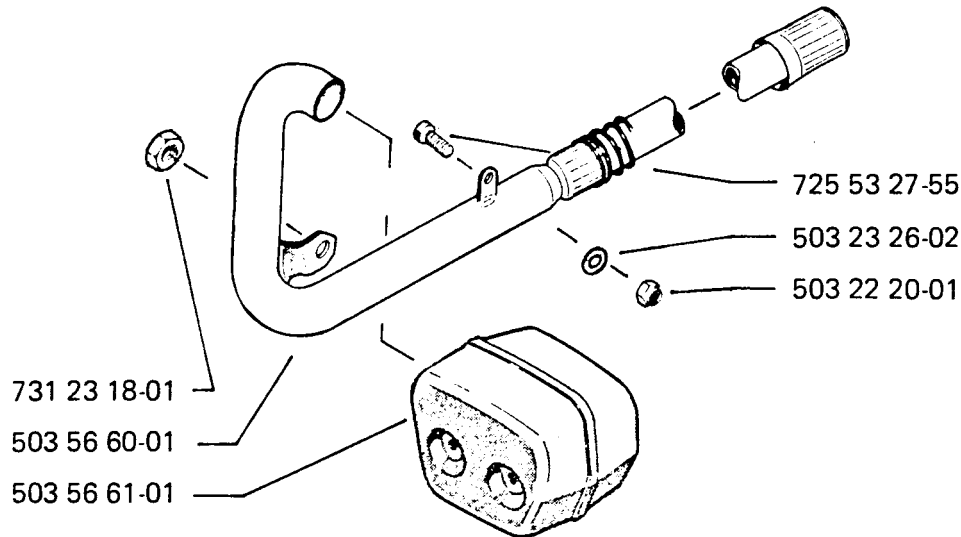
**MODEL 242**

FA-SYSTEM

An extended exhaust system is delivered in kits with the below included parts:

<u>Ref. No.</u>	<u>Description</u>	<u>Remark</u>
503 56 63-01	FA-system, kit	
503 56 61-01	FA-silencer	
503 56 60-01	Exhaust pipe FA	
731 23 18-01	Nut M8	Standard
725 53 27-55	Screw	238,242
503 22 20-01	Washer	238,242
503 23 26-02	Nut	238

Compl. 503 56 63-01



ASSEMBLY

1. Mount the FA-silencer.
2. Place the exhaust pipe on top of the clutch cover, connect to the silencer and fasten the exhaust pipe on to the bar bolt. Check that all parts are correctly mounted!  
Use the standard nut (M8) for increased thread length.
3. Drill 5 mm (2") for the rear attachment through the clutch cover and tighten the rear attachment in the cover with a screw, washer and nut.