



SERVICE 		1
		B0400033

English 1 (6)

SB, 323 HD, 325 HD, 326 HD, 325 HS, 326 HS, Updated product Mark II, 2004-04



Numerous improvements have been introduced on the hedge trimmers. All hedge trimmers have been given a new product number in order to distinguish between updated and earlier designs. The updated design also has "Mark II" added to the starter decal.

New part no.	Description	Excl. part. no.	Remark
953 15 42-01	323HD60	953 15 41-01	
953 15 25-01	325HD60 _x	953 15 23-01	
953 15 26-01	325HD75 _x	953 15 24-01	
953 15 35-01	326HD60 _x	953 15 33-01	
953 15 36-01	326HD75 _x	953 15 34-01	
953 17 05-01	325HS75 _x	953 17 01-01	Blade type A
	325HS75 _x	953 17 03-01	Blade type B
953 17 06-01	325HS99 _x	953 17 02-01	
953 17 15-01	326HS75 _x	953 17 11-01	
953 17 16-01	326HS99 _x	953 17 12-01	

The cutter bar has been equipped with a tip guard that prevents the blades from hitting the ground if the tip of the cutter bar is held against the ground. In addition, the hole in the blade where the connecting rod is connected now has an improved surface that prevents play occurring between the blade and connecting rod.

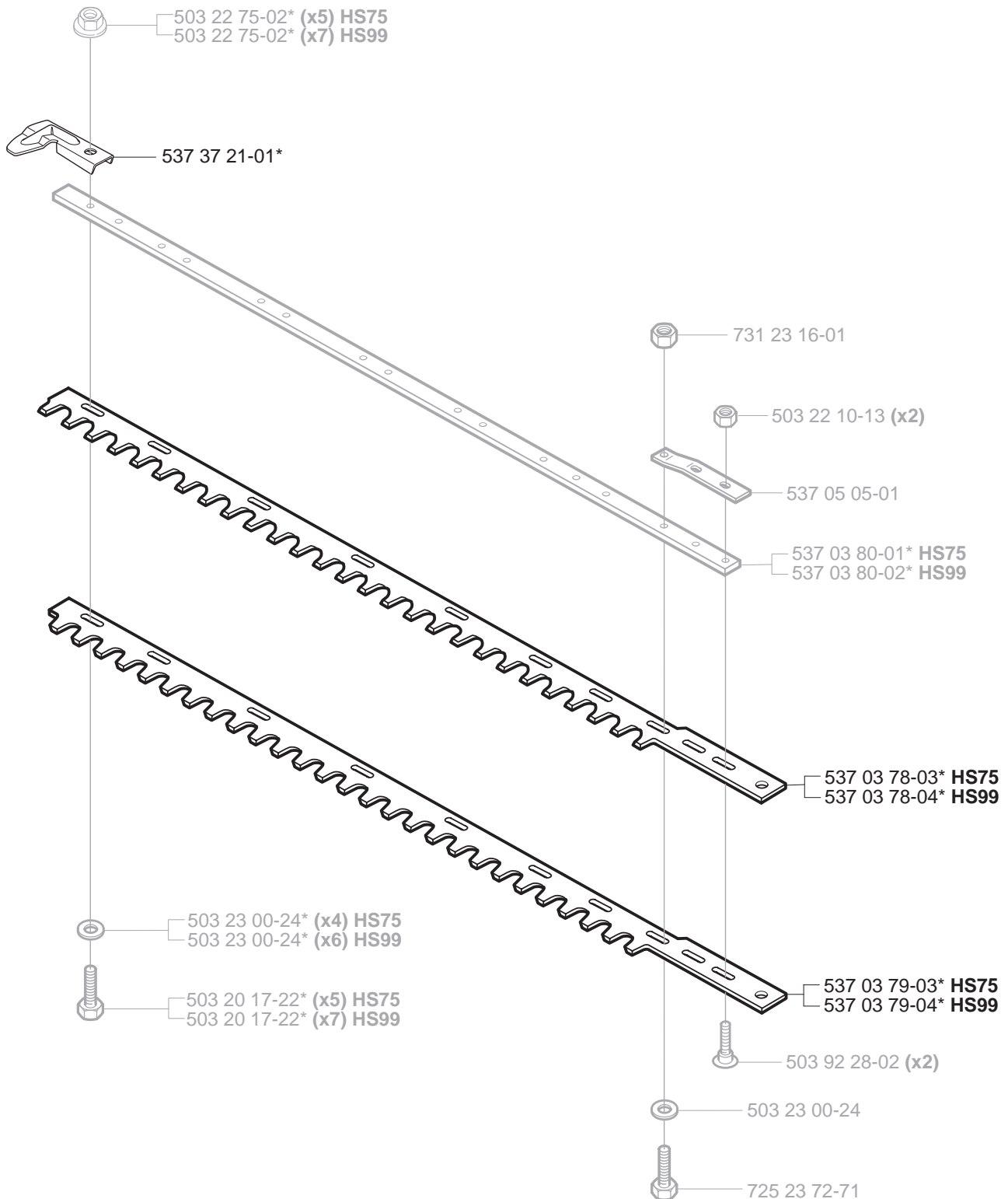
New part no.	Description	Excl. part. no.	Remarks
537 03 77-05	Cutter bar HS 75 cm	537 03 77-01	Blade type A
	Cutter bar HS 75 cm	537 03 77-03	Blade type B
537 03 77-06	Cutter bar HS 99 cm	537 03 77-02	
537 03 78-03	Blade upper HS 75 cm	537 03 78-01	Blade type A
	Blade upper HS 75 cm	537 10 67-01	Blade type B
537 03 78-04	Blade upper HS 99 cm	537 03 78-02	
537 03 79-03	Blade lower HS 75 cm	537 03 79-01	Blade type A
	Blade lower HS 75 cm	537 10 68-01	Blade type B
537 03 79-04	Blade lower HS 99 cm	537 03 79-02	
537 37 21-01	Tip guard HS	537 08 58-01	
537 10 56-05	Cutter bar HD 60 cm	537 10 56-03	
537 10 56-06	Cutter bar HD 75 cm	537 10 56-04	
537 10 01-03	Blade HD 75 cm	537 10 01-01	
537 10 01-04	Blade HD 60 cm	537 10 01-02	
537 37 20-01	Tip guard HD		



SERVICE 		1
		B0400033

English 2 (6)

*compl 537 03 77-05 **HS75**
 *compl 537 03 77-06 **HS99**

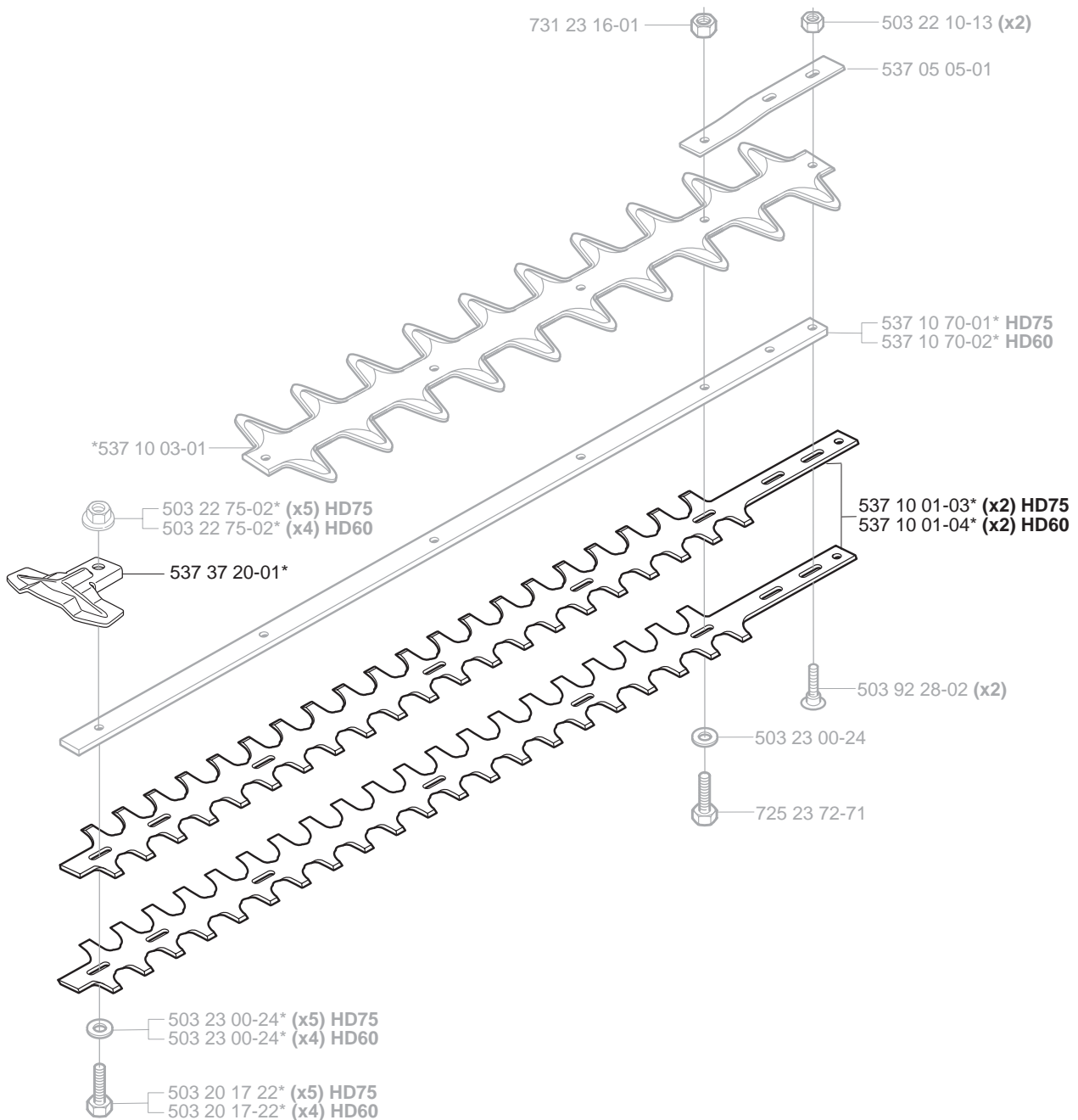




SERVICE 		1
		B0400033

English 3 (6)

*compl 537 10 56-05 HD60
 *compl 537 10 56-06 HD75





SERVICE 		1
		B0400033

English 4 (6)

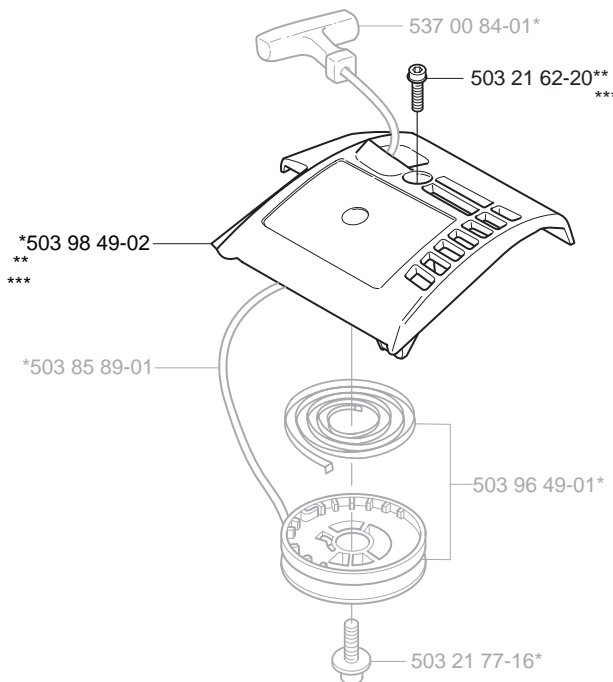
The shape of the fuel tank has been changed to provide an improved fit against the starter and crankcase.

New part no.	Description	Excl. part. no.	Remarks
503 98 47-02	Fuel tank	503 98 47-01	

Metal sleeves have been fitted in the screw holes on cylinder covers and starters to reduce the risk of them loosening due to engine vibrations.

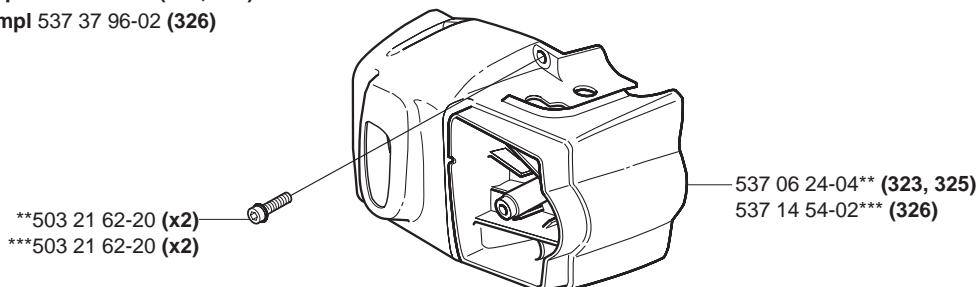
New part no.	Description	Excl. part. no.	Remarks
537 06 24-04	Cylinder cover 323, 325	537 06 24-02	
537 14 54-02	Cylinder cover 326	537 14 54-01	
503 98 49-02	Starter housing	503 98 49-01	
503 85 28-03	Starter complete	503 85 28-02	
537 37 96-01	Set cylinder cover and starter 323, 325		
537 37 96-02	Set cylinder cover and starter 326		

*compl 503 85 28-03





**compl 537 37 96-01 (323, 325)

***compl 537 37 96-02 (326)





SERVICE 		1
		B0400033

English 5 (6)

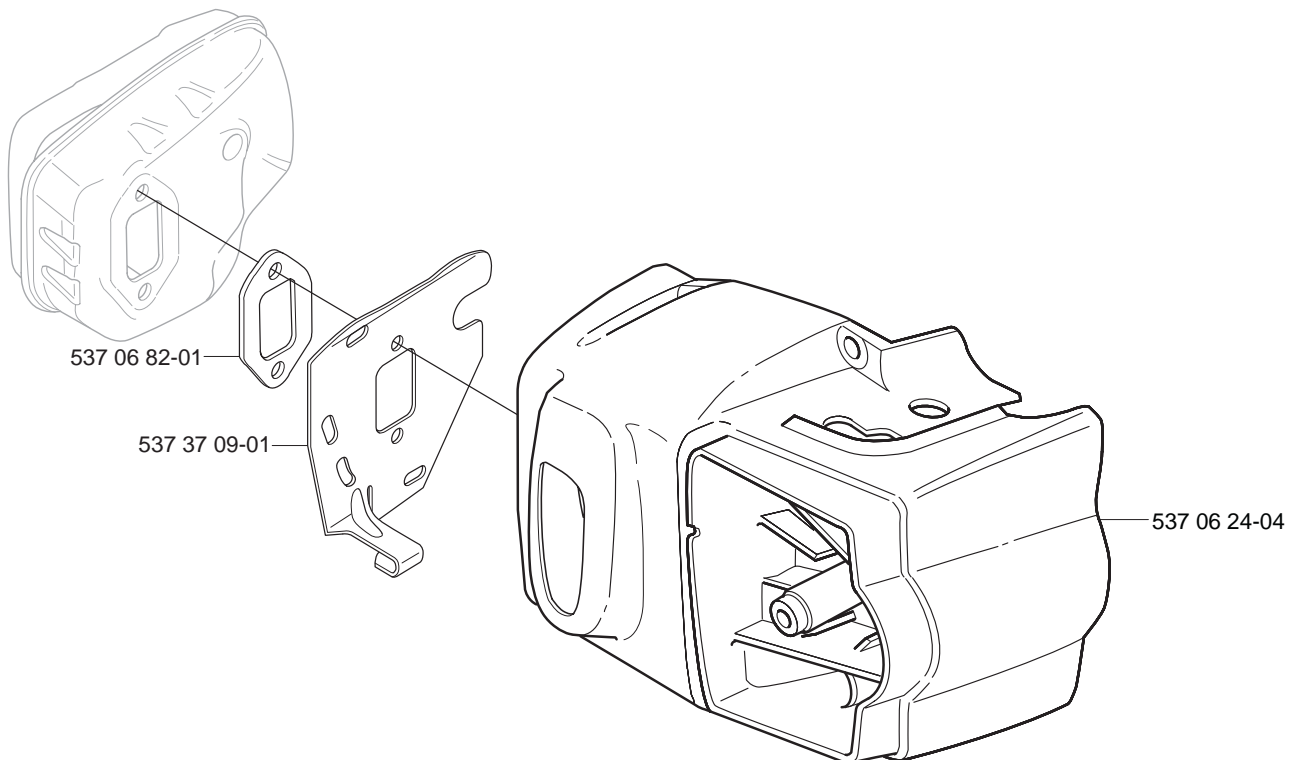
The cooling air has been redirected, with the help of a new air conductor, in order to reduce the release of hot air against the hedge. The cooling air is now released out through the hole in the cylinder cover. The new air conductor may ONLY be used together with the new cylinder cover.

Note! that the Spacer 537 06 82-01 must be fitted between the air conductor and the muffler, instead of as before between the cylinder and air conductor.


These modifications only apply to 323- and 325-models.

New part no.	Description	Excl. part. no.	Remarks
537 37 09-01	Air conductor	537 17 23-01	*
537 06 24-04	Cylinder cover 323, 325	537 06 24-02	

* Remains as a spare part





SERVICE 		1
		B0400033

English 6 (6)

The fuel cap has been modified for improved tank venting.

New part no.	Description	Excl. part. no.	Remarks
537 09 16-03	Fuel cap green	537 09 16-01	*
537 09 16-04	Fuel cap grey	537 09 16-02	*

*Remains as a spare part

The engine characteristics have been modified to better suit a hedge trimmer. The modifications include: new crankshaft with the ignition timing moved back, reduced compression by modifying the piston, lower crankcase compression by removing the cup on the crankshaft, (only applies to 323 and 325) carburettor with smaller venturi. A higher start throttle speed and smaller choke valve have also been introduced on the carburettor on 326 models. Combined these give:

- Lower vibrations in the engine
- The engine runs for longer with the choke control in the choke position
- Less power is required to start the machine
- Lower max speed
- More stable idling

New part no.	Description	Excl. part. no.	Remarks
537 12 81-77	Crankshaft complete	537 12 81-73	
	Cup	503 94 05-01	* Only applies to 323, 325
503 28 34-02	Carburettor 326	503 28 31-13	*
537 37 03-01	Choke valve	537 02 11-01	* Only applies to 326
537 04 90-01	Start throttle lever	537 14 34-01	* Only applies to 326
503 28 34-03	Carburettor 323, 325	503 28 31-13	*
537 37 65-04	Piston complete	537 01 32-75	*
537 03 20-08	Cylinder and piston 323, 325	537 03 20-07	*
537 08 51-02	Cylinder and piston 326	537 08 51-01	*

*Remains as a spare part

The starter decal now has the addition "Mark II"

New part no.	Description	Excl. part. no.	Remarks
537 35 34-11	Decal 323HD60	503 97 98-52	*
537 35 34-20	Decal 325HD60	503 97 98-39	*
537 35 34-21	Decal 325HD75	503 97 98-40	*
537 35 34-25	Decal 325HS75	503 97 98-33	*
537 35 34-26	Decal 325HS99	503 97 98-34	*
537 35 34-36	Decal 326HD60	537 17 22-12	*
537 35 34-37	Decal 326HD75	537 17 22-13	*
537 35 34-41	Decal 326HS75	537 17 22-10	*
537 35 34-42	Decal 326HS99	537 17 22-11	*

*Remains as a spare part