





SERVICE 		11
		B0200049

English 1 (2)

SB, 325 HS 75, 325 HS 99, 326 HS 75, Collector, 2002-06

There have been cases where the collector has cracked as a result of starting the hedge trimmer incorrectly or vibration from the cutter bar. A number of modifications have been made to rectify this problem.

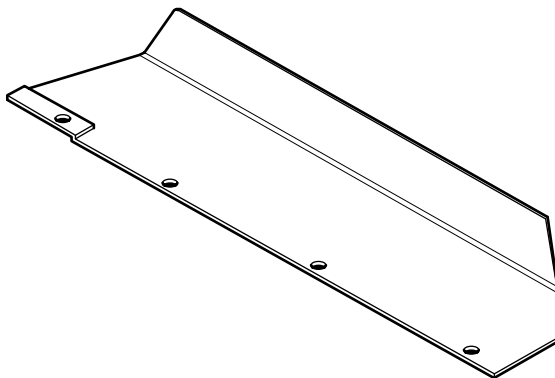
The front edge of the collector has been modified and it now has round mounting holes. The part number is unchanged.

The cutter bar has nuts with integral washers, and longer screws to allow the collector to be attached more securely.

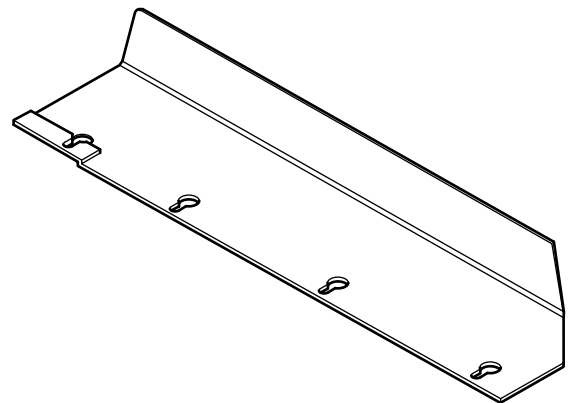
The nuts with integral washers have a locking action that reduces the risk of them working loose as a result of vibration. The tightening torque during assembly has also been increased from 6 to 11 Nm.

New part. no.	Description	Excl. part no.	Remark
537 06 43-01	Collector		
503 22 75-02	Nut with washer	731 23 16-01	*
503 20 17-22	Screw	503 20 17-18	*

* Still available as spare part



New version



Previous version

- * compl 537 03 77-01 HS75 Type A
- * compl 537 03 77-03 HS75 Type B
- * compl 537 03 77-02 HS99

