





SERVICE 		8
		B0100032

English 1 (2)

SB, 225 H, Wiring, 2001-05

The wiring has been modified to improve the way it is attached to the handle. This also involved modifying the handle halves, which means that the new wiring is only compatible with the new handle halves, and vice versa.

When the existing stock of old handle halves has been used up they will be replaced with a kit consisting of right and left handle halves and wiring.



The old wiring assembly is still available as a spare part.

New part no.	Description	Excl. part no.	Remark
503 98 76-02	Wiring assembly		
503 77 02-03	Handle half, left		
503 77 03-03	Handle half, right		
503 77 93-03	Kit, handle halves and wiring		*

*Replaces part. nos. 503 77 02-01 and 503 77 03-01

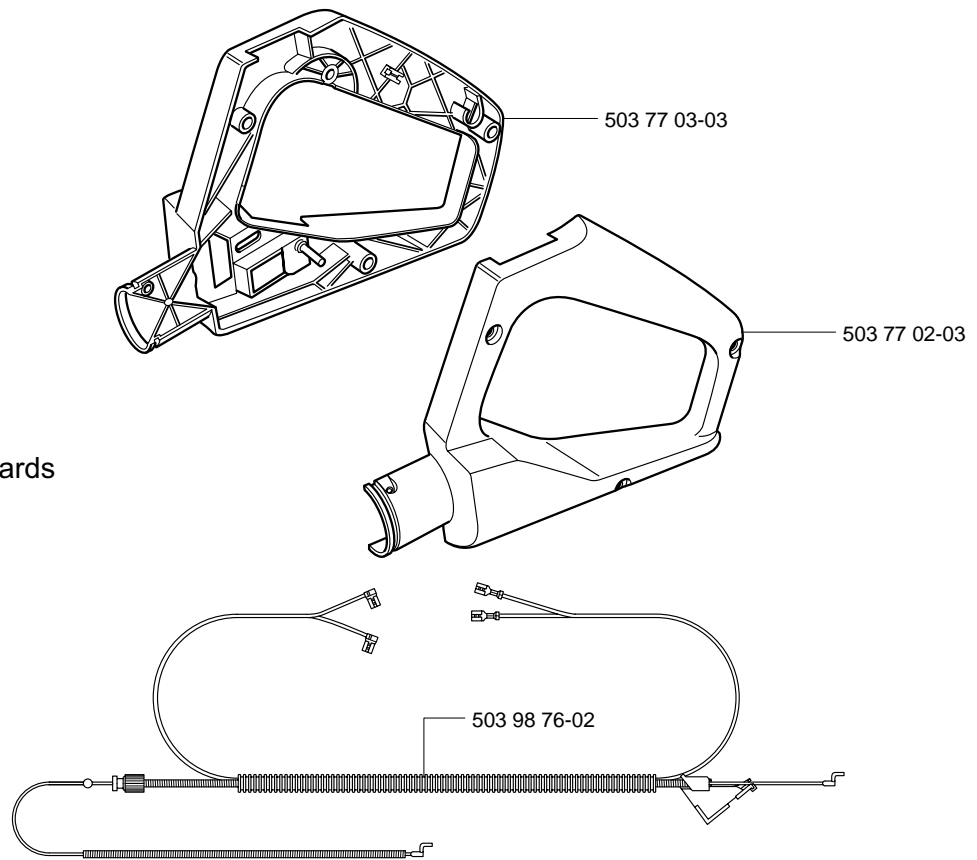
Introduced from serial number: 225H 20004400001



SERVICE 		8
		B0100032

English 2 (2)

Serial number onwards
20004400001



Up to and including serial number
20004399999

