

For Husqvarna Parts Call 606-678-9623 or 606-561-4983

Swivel Wheel Accessory Instruction Sheet

Husqvarna

SWIVEL WHEEL ACCESSORY KIT

Kit No. 606 00 00-02

For use on 580 / 600 Series Walk Behind Mowers



WARNING: FAILURE TO FOLLOW INSTRUCTIONS could result in personal injury and/or damage to unit.

Read, understand, and follow all safety practices in Owner/Operator Manual before beginning.

PACKAGE CONTENTS

Check the contents of your kit for the parts listed below (Figure 1):

| Item | Qty | Description | Husqvarna P/N |
|------|-----|--|---|
| 1 | 2* | Wheel Yoke Weldment | 606 00 02 63 |
| 2 | 1* | Left Mount Arm Weldment | 606 00 02 65 |
| | 1* | Right Mount Arm Weldment | 606 00 02 64 |
| 3 | 2 | Axle Tab | 606 00 01 43 |
| 4 | 2 | Pin-Clevis .25 x 1.75 | 606 00 01 56 |
| 5 | 2 | Clevis Pin | 606 00 01 44 |
| 6 | 2* | Fitting-Lube .25-28 x .256 | 606 00 01 57 |
| 7 | 2 | Bushing-Flange .500 x .625 x .500 x .750 | 606 00 01 49 (Not used with steel wheels) |
| 8 | 4* | Bushing-Sleeve .625 x .750 x .500 | 606 00 01 50 |
| 9 | 2* | Ring-Retaining-External .625 x .042 | 606 00 01 51 |
| 10 | 6 | Bolt-Round Head Square Neck .31-18 | 606 00 00 82 |
| 11 | 2* | Washer-Flat-Steel .630 x 1.005 x .062 | 606 00 01 53 |
| 12 | 6 | Nut-Locking Center .31-18 | 606 00 00 50 |
| 13 | 2 | Pin-Hair Ext. .12 x .31 x 2.37 | 606 00 01 55 |
| 14 | 2 | Kickout Ring | 606 00 01 45 |

*Pre-assembled

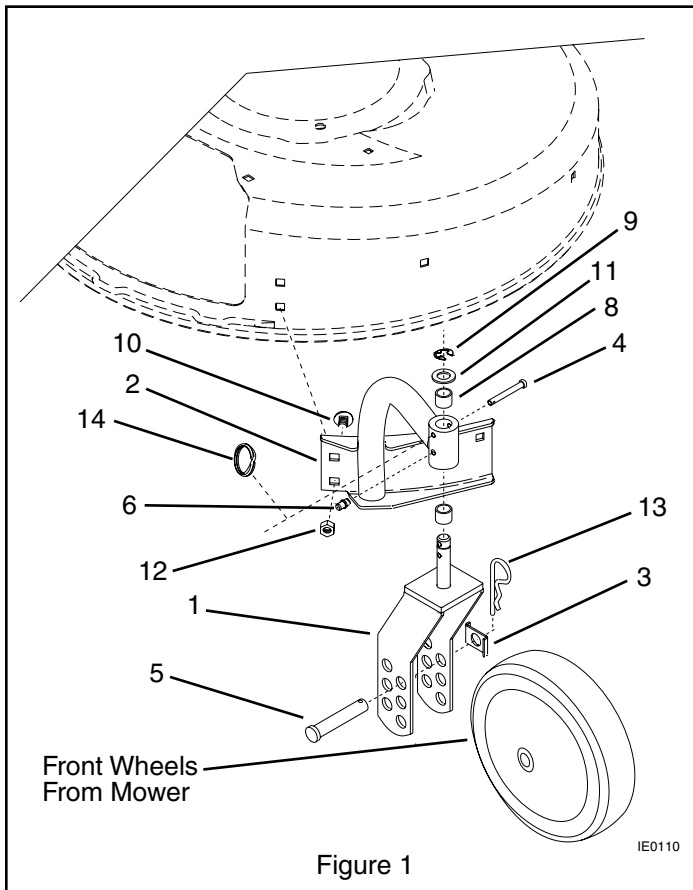


Figure 1

INSTALLATION

1. Remove spark plug wire.
2. Remove complete front axle assembly from mower deck.
3. Disassemble front wheels from axle assembly.
4. Attach right and left hand assemblies to mower deck with (6) carriage bolts and (6) flange whizlock-nuts provided, tighten hardware to 10-12 lbs/ft (Figure 1).
5. Insert front wheels in swivel assembly front yokes using clevis pin, axle tab, and hair pin (Figure 1).
6. Insert clevis pin in either clevis pin storage hole or swivel lock hole. Secure clevis pin with kickout ring (Figure 1 & 2).
7. Place mower in normal operating position.
8. Reattach wire to spark plug.

NOTE: All wheels must be set at the same height for a level cut.

- Low Setting - 1 1/4" Cut grass length
- Second Setting - 1 3/4" Cut grass length
- Third Setting - 2 1/8" Cut grass length
- Fourth Setting - 2 5/8" Cut grass length
- Fifth Setting - 3" Cut grass length
- Highest Setting - 3 1/2" Cut grass length

9. To change front wheel cutting height, insert clevis pin, into the holes that corresponds to desired cutting height (Figure 2).
10. To change rear wheel cutting height, move cutting height levers one notch at a time until desired cutting height is obtained (Figure 2).



DANGER: MOVING BLADES will sever and amputate body parts. DO NOT place limbs near moving parts.

NEVER attempt to make any cutting height adjustments while the engine is running.
NEVER attempt lubrication or maintenance procedures while engine is running.

MOWER ROLL AWAY will cause injury or death. Swivel wheels must be in locked position when mowing laterally on hill sides.
TRACTION DRIVE may not clutch or operate properly and cause injury. Both rear wheels must be positioned at same height on self-propelled models.

11. Move wheels or levers in direction shown for lower or higher cutting heights.
12. Grease swivels every 10 hours of use.

NOTE: Swivels must be in locked position while lubricating. Apply Sten Mix Hi-Temp Grease or equivalent to lube fittings. Order P/N: 00036800 - three pack of 3 oz. cartridges or 00036700 - ten pack of 14 oz. cartridges.

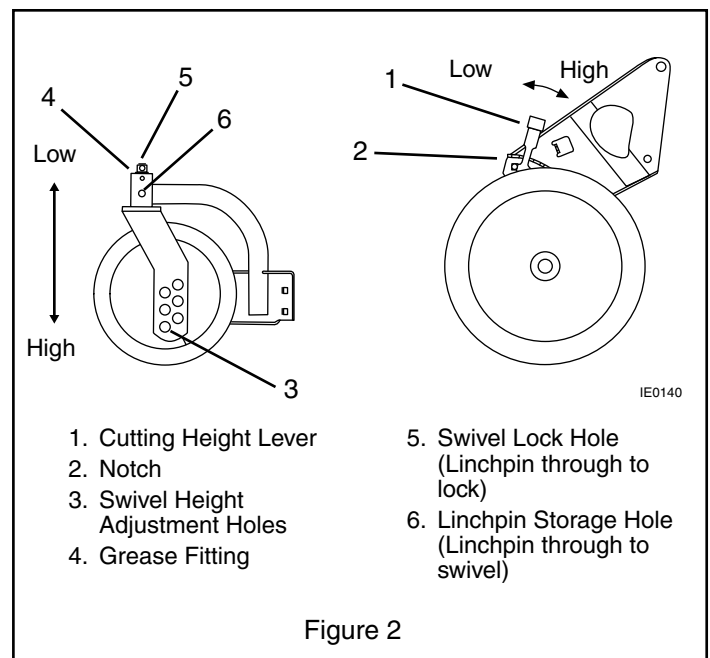


Figure 2

- | | |
|-----------------------------------|---|
| 1. Cutting Height Lever | 5. Swivel Lock Hole (Linchpin through to lock) |
| 2. Notch | 6. Linchpin Storage Hole (Linchpin through to swivel) |
| 3. Swivel Height Adjustment Holes | |
| 4. Grease Fitting | |