



Illustrated Parts
List

1999-05

19902034

Hydro-Gear



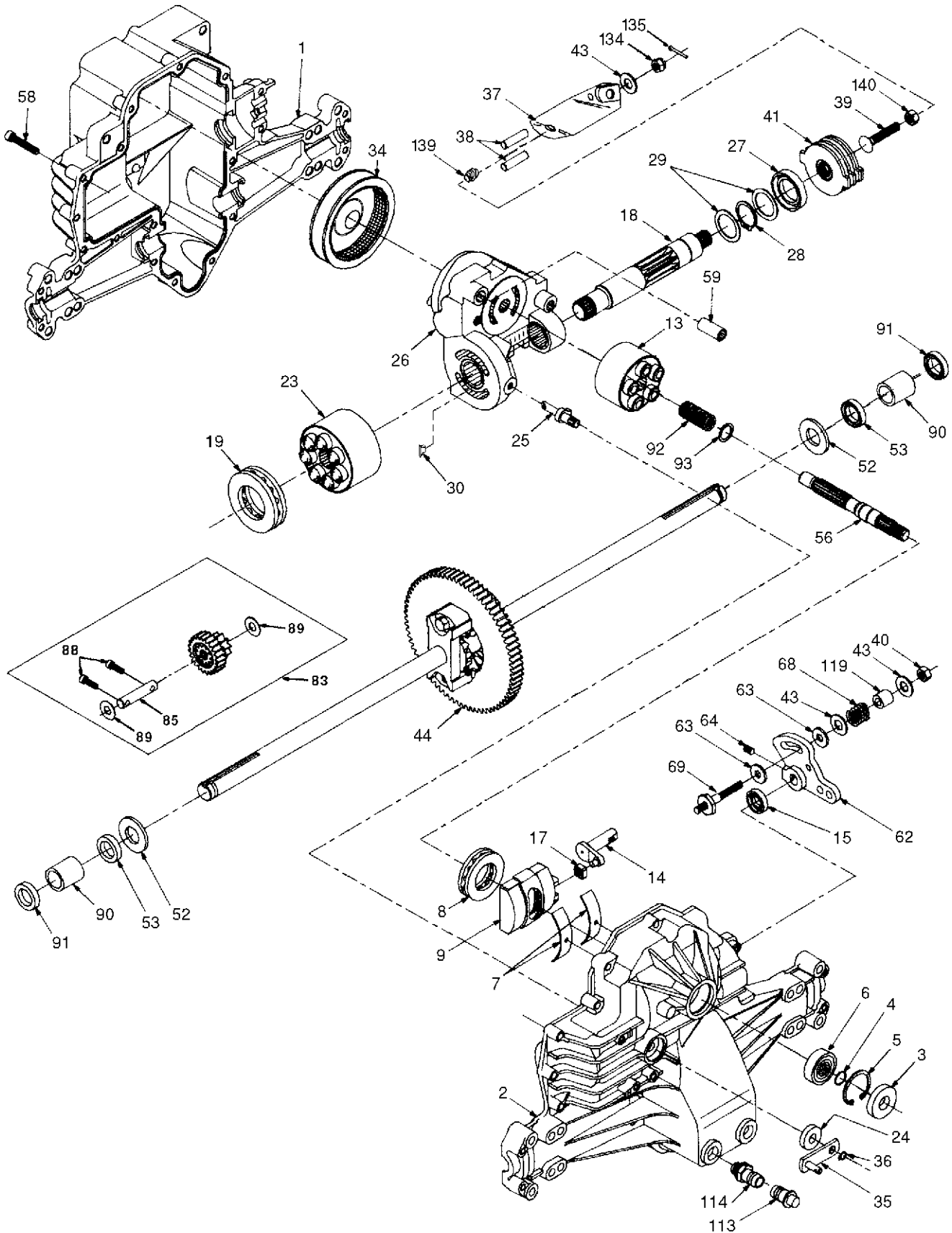
Transaxle

310-0650 (319-0650)

This parts list is for information purposes only.

Please contact the transaxle manufacturer to order repair parts or complete transaxles, as these are not available through Husqvarna.

HYDRO GEAR TRANSAXLE - MODEL NUMBER 310-0650 (319-0650)



HYDRO GEAR TRANSAXLE - MODEL NUMBER 310-0650 (319-0650)

KEY PART NO. NO.	DESCRIPTION	KEY PART NO. NO.	DESCRIPTION
1	532142930 Housing, Lower	43	532142884 Washer 7/16 x 7/8 x .060
2	532142931 Assembly, Upper Housing	44	532150829 Differential Assembly
3	532142932 Seal, Lip	52	532142991 Washer 3/4 x 1.5 x .13
4	532142928 Ring, Wire Retaining	53	532142961 Seal .75 x 1.25 x .250
5	532142933 Ring, Retaining	56	532142963 Shaft, Input
6	532142934 Bearing, Shaft Ball	58	532142964 Bolt 1/4-20 x 1.38
7	532142935 Bearing, Cradle	59	532142965 Pin .5 OD x .43 ID x .750
8	532150771 Bearing, Thrust 30 x 52 x 13	62	532142966 Arm, Control
9	532142937 Swashplate, Variable	63	532142967 Puck, Dampener
13	532142938 Block, Cylinder Assembly	64	532142920 Set Screw
14	532142939 Arm, Trunnion	68	532142969 Spring
15	532142940 Seal, Lip	69	532144610 Stud 5/16-24
17	532142941 Guide, Slot	83	532142971 Jackshaft Assembly
18	532150772 Shaft, Motor	85	532150806 Jackshaft
19	532150773 Bearing, Thrust 42 x 68 x 16	88	532142973 Screw, Cap
23	532142944 Block, Cylinder Assembly	89	532142974 Washer 7/16 x 1 x 1/2
24	532142945 Seal, Lip 10 x 25 x 7	90	532142975 Sleeve Bearing
25	532142946 Actuator, Bypass	91	532142976 Seal, Wiper
26	532150774 Center Section Assembly Kit	92	532142977 Spring, Block
27	532142948 Seal, Lip 26 x 42 x 8	93	532142978 Washer, Block Thrust
28	532142949 Ring, Retaining	113	532142917 Cap, Vent Assembly
29	532142950 Washer 26 x 35 x 1	114	532142918 Fitting, O-Ring Assembly
30	532150787 Plate, Bypass	119	532142980 Spacer
34	532142951 Oil Filter Element	134	532144607 Nut, Castle 5/16-24
35	532142952 Arm, Bypass	135	532144608 Pin, Cotter
36	532142953 Ring, Retaining	139	532150775 Spring, Compression
37	532142954 Arm, Actuating	140	532150776 Nut, Hex 5/16-24
38	532142955 Pin, Actuating		
39	532150777 Bolt 5/16-24 x 1-3/4		
40	532150778 Locknut, Hex 5/16-24 UNJC		
41	532142958 Brake Rotor/Stator Kit		

NOTE: All component dimensions given in U.S. inches
 1 inch = 25.4 mm